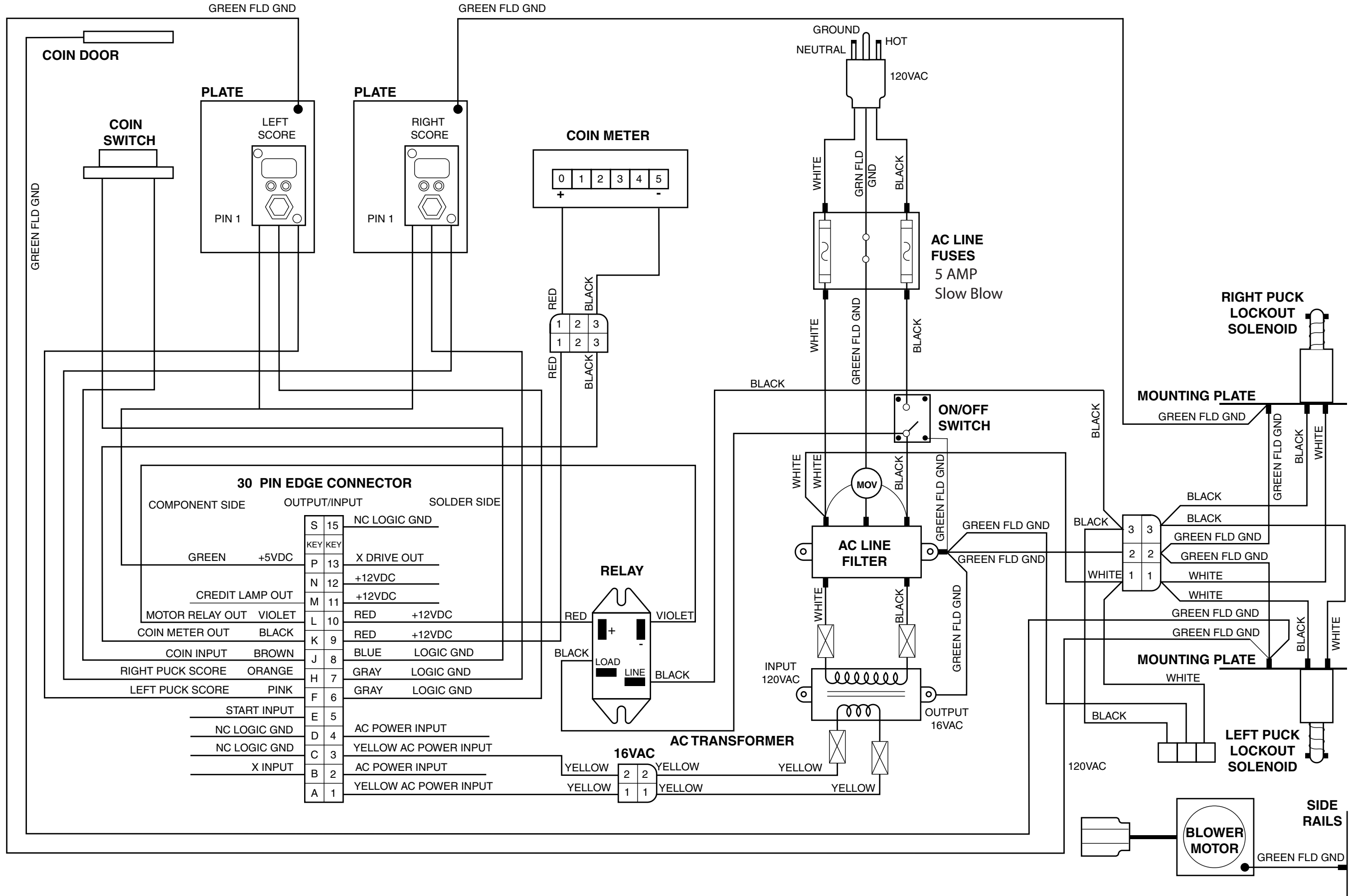


DYNAMO AIR HOCKEY WIRING DIAGRAM



COMPONENT SIDE		OUTPUT/INPUT		SOLDER SIDE	
	S	15	NC LOGIC GND		
GREEN	KEY	KEY	+5VDC		
	P	13	X DRIVE OUT		
	N	12	+12VDC		
CREDIT LAMP OUT	M	11	+12VDC		
MOTOR RELAY OUT	L	10	RED +12VDC		
COIN METER OUT	K	9	RED +12VDC		
COIN INPUT	J	8	BLUE LOGIC GND		
RIGHT PUCK SCORE	H	7	GRAY LOGIC GND		
LEFT PUCK SCORE	F	6	GRAY LOGIC GND		
START INPUT	E	5			
NC LOGIC GND	D	4	AC POWER INPUT		
NC LOGIC GND	C	3	YELLOW AC POWER INPUT		
X INPUT	B	2	AC POWER INPUT		
	A	1	YELLOW AC POWER INPUT		