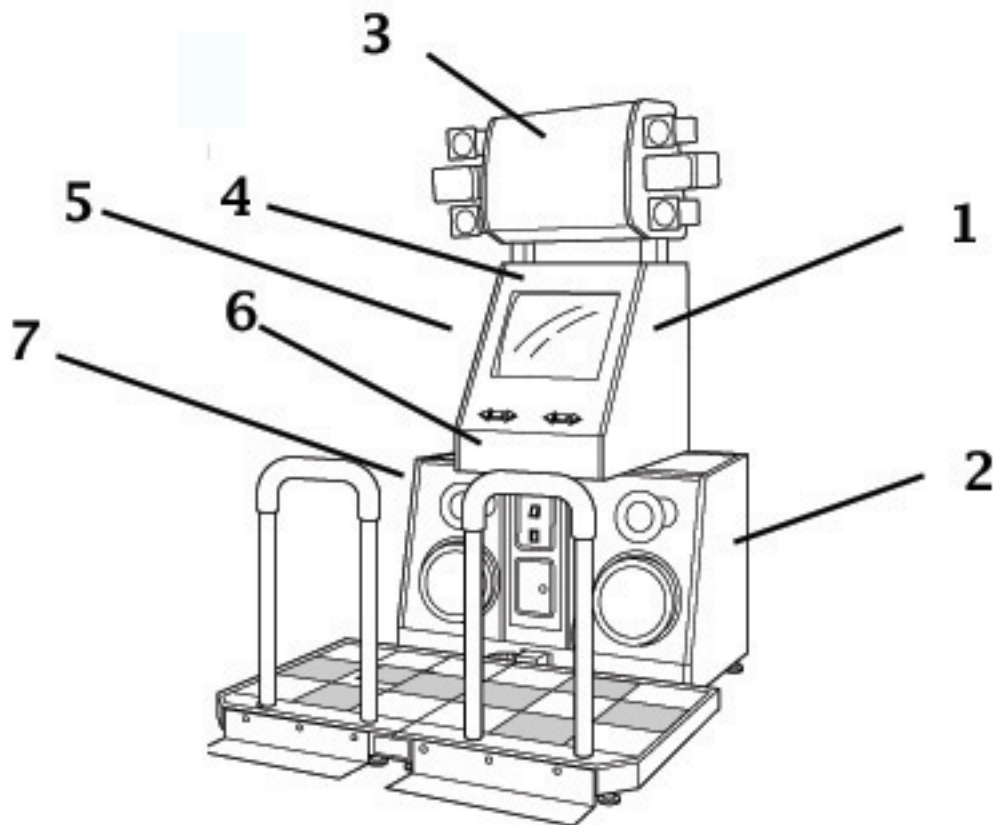


# 8 Annex

---

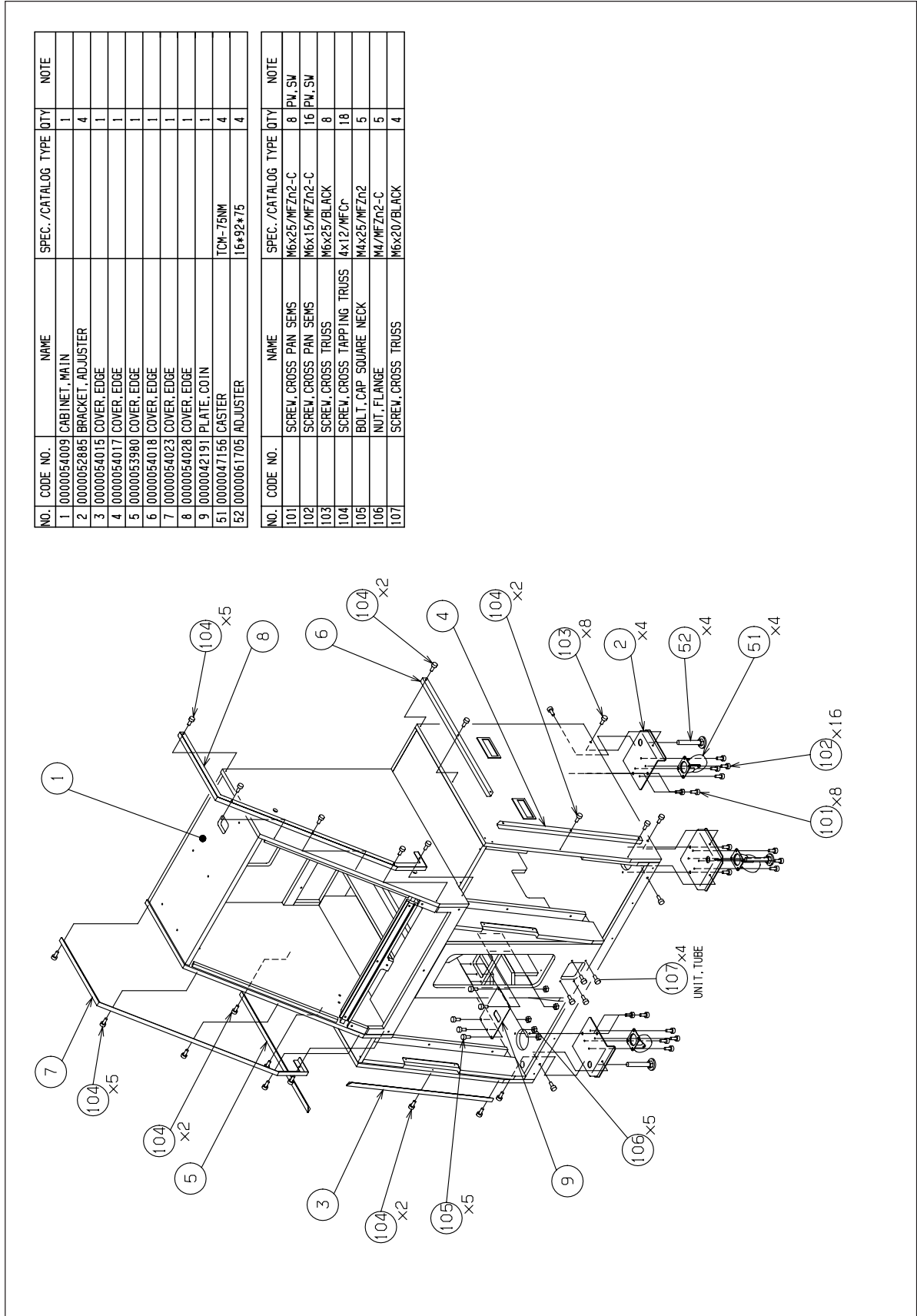
## 8-1 Label locations and exploded view

■ Label -----

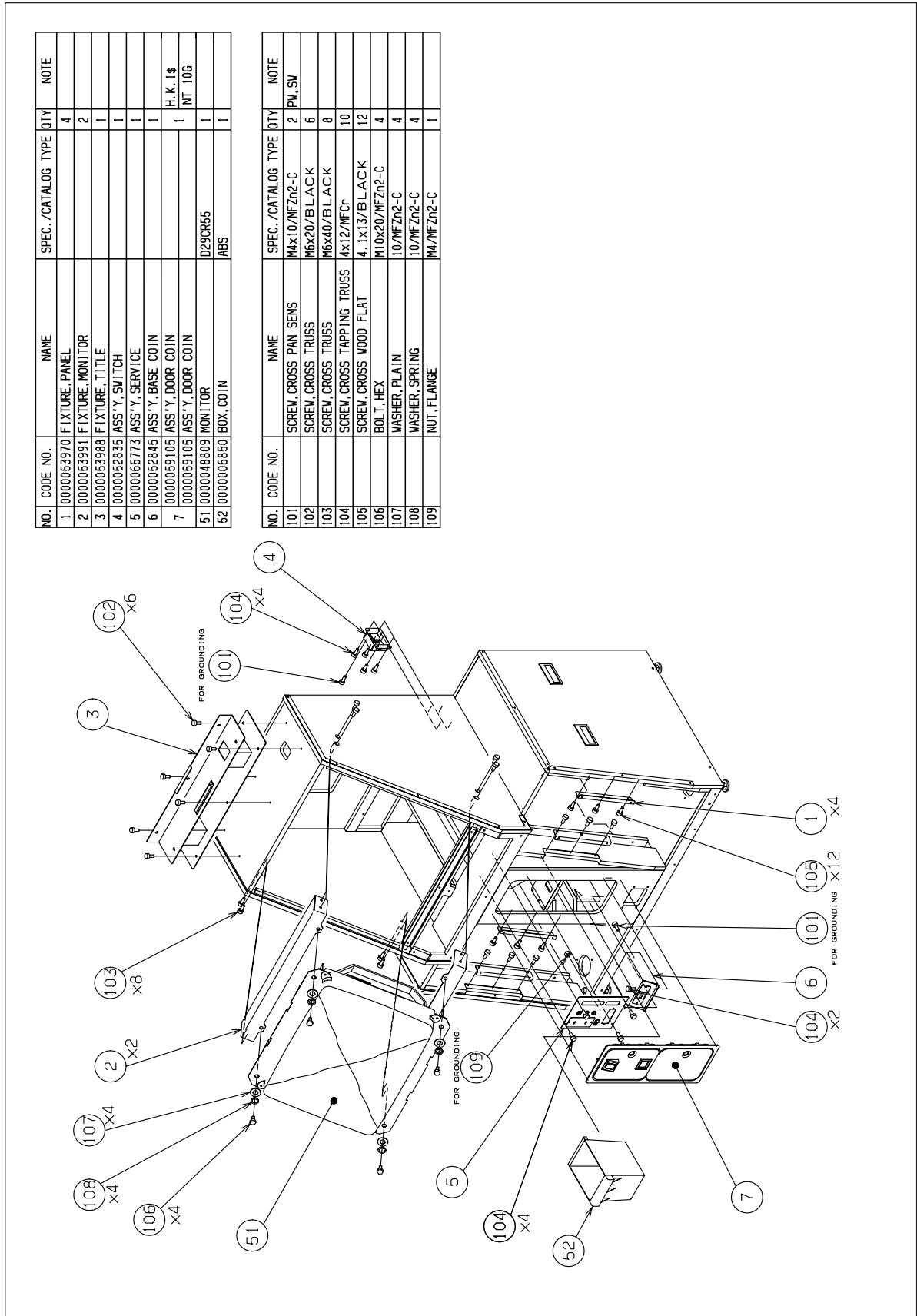


- 1 - 14-50002 - Right Top Side Decal
- 2 - 14-50003 - Right Bottom Side Decal
- 3 - 14-50001 - Marquee Decal
- 4 - 14-50006 - Monitor Bezel Decal
- 5 - 14-50004 - Top left Side Decal
- 6 - 14-50007 - Control Panel Overlay
- 7 - 14-50005 - Bottom Left Side Decal

**FIG.1 UNIT, CABINET(1/4)**



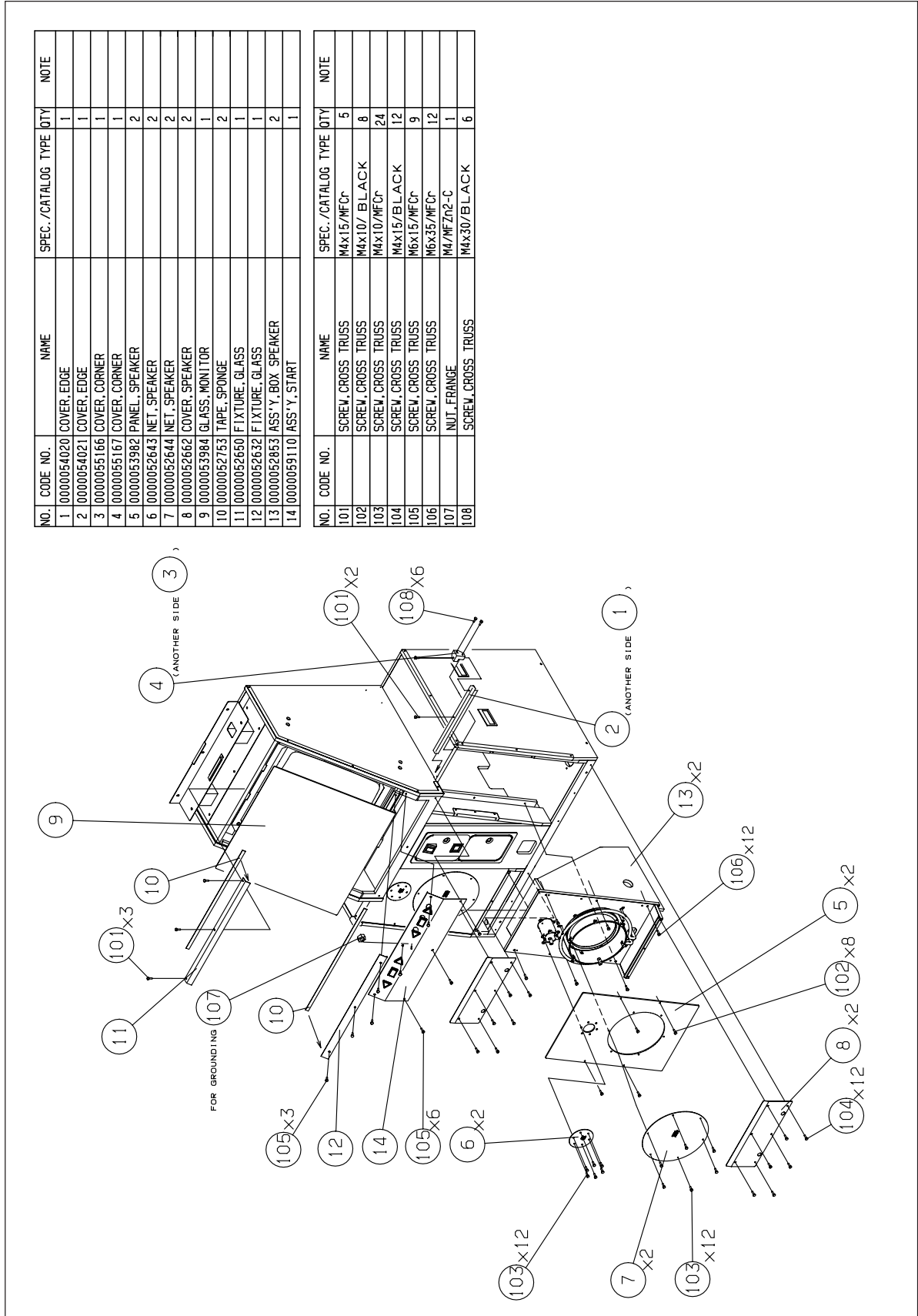
**FIG.2 UNIT, CABINET(2/4)**



NO.	CODE NO.	NAME	SPEC. /CATALOG	TYPE	QTY	NOTE
1	0000063970	FIXTURE, PANEL			4	
2	0000063991	FIXTURE, MONITOR			2	
3	0000063988	FIXTURE, TITLE			1	
4	0000062835	ASS'Y, SWITCH			1	
5	0000066773	ASS'Y, SERVICE			1	
6	0000062845	ASS'Y, BASE COIN			1	
7	0000069105	ASS'Y, DOOR COIN			1	H. K. 1\$
	0000069105	ASS'Y, DOOR COIN			1	NT. 10\$
51	0000048809	MONITOR	D29CR55		1	
52	0000006850	BOX, COIN	ABS		1	

NO.	CODE NO.	NAME	SPEC. /CATALOG	TYPE	QTY	NOTE
101		SCREW, CROSS PAN SEMS	M4x10/MFZn2-C		2	PW, SW
102		SCREW, CROSS TRUSS	M6x20/BLACK		6	
103		SCREW, CROSS TRUSS	M6x40/BLACK		8	
104		SCREW, CROSS TAPPING TRUSS	4x12/MFC		10	
105		SCREW, CROSS WOOD FLAT	4. 1x13/BLACK		12	
106		BOLT, HEX	M10x20/MFZn2-C		4	
107		WASHER, PLAIN	10/MFZn2-C		4	
108		WASHER, SPRING	10/MFZn2-C		4	
109		NUT, FLANGE	M4/MFZn2-C		1	

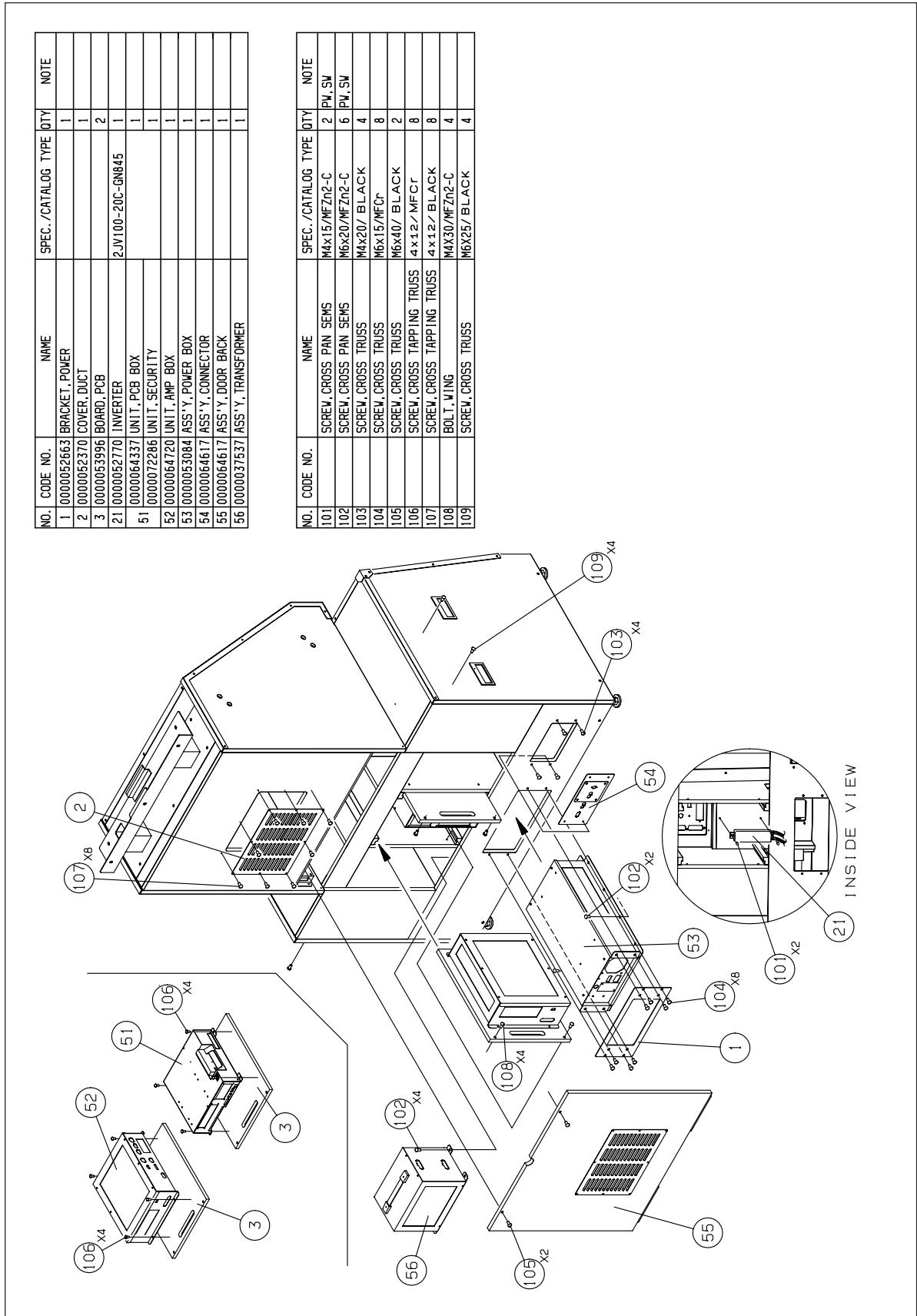
**FIG.3 UNIT, CABINET(3/4)**



NO.	CODE NO.	NAME	SPEC./CATALOG	TYPE	QTY	NOTE
1	0000054020	COVER, EDGE			1	
2	0000054021	COVER, EDGE			1	
3	0000051166	COVER, CORNER			1	
4	0000051167	COVER, CORNER			1	
5	0000053982	PANEL, SPEAKER			2	
6	0000052643	NET, SPEAKER			2	
7	0000052644	NET, SPEAKER			2	
8	0000052662	COVER, SPEAKER			2	
9	0000053984	GLASS, MONITOR			1	
10	0000052753	TAPE, SPONGE			2	
11	0000052650	FIXTURE, GLASS			1	
12	0000052632	FIXTURE, GLASS			1	
13	0000052853	ASS'Y, BOX, SPEAKER			1	
14	0000059110	ASS'Y, START			1	

NO.	CODE NO.	NAME	SPEC./CATALOG	TYPE	QTY	NOTE
101		SCREW, CROSS TRUSS	M4x15/MFCr		5	
102		SCREW, CROSS TRUSS	M4x10/BLACK		8	
103		SCREW, CROSS TRUSS	M4x10/MFCr		24	
104		SCREW, CROSS TRUSS	M4x15/BLACK		12	
105		SCREW, CROSS TRUSS	M6x15/MFCr		9	
106		SCREW, CROSS TRUSS	M6x35/MFCr		12	
107		NUT, FRANGE	M4/MFZn2-C		1	
108		SCREW, CROSS TRUSS	M4x30/BLACK		6	

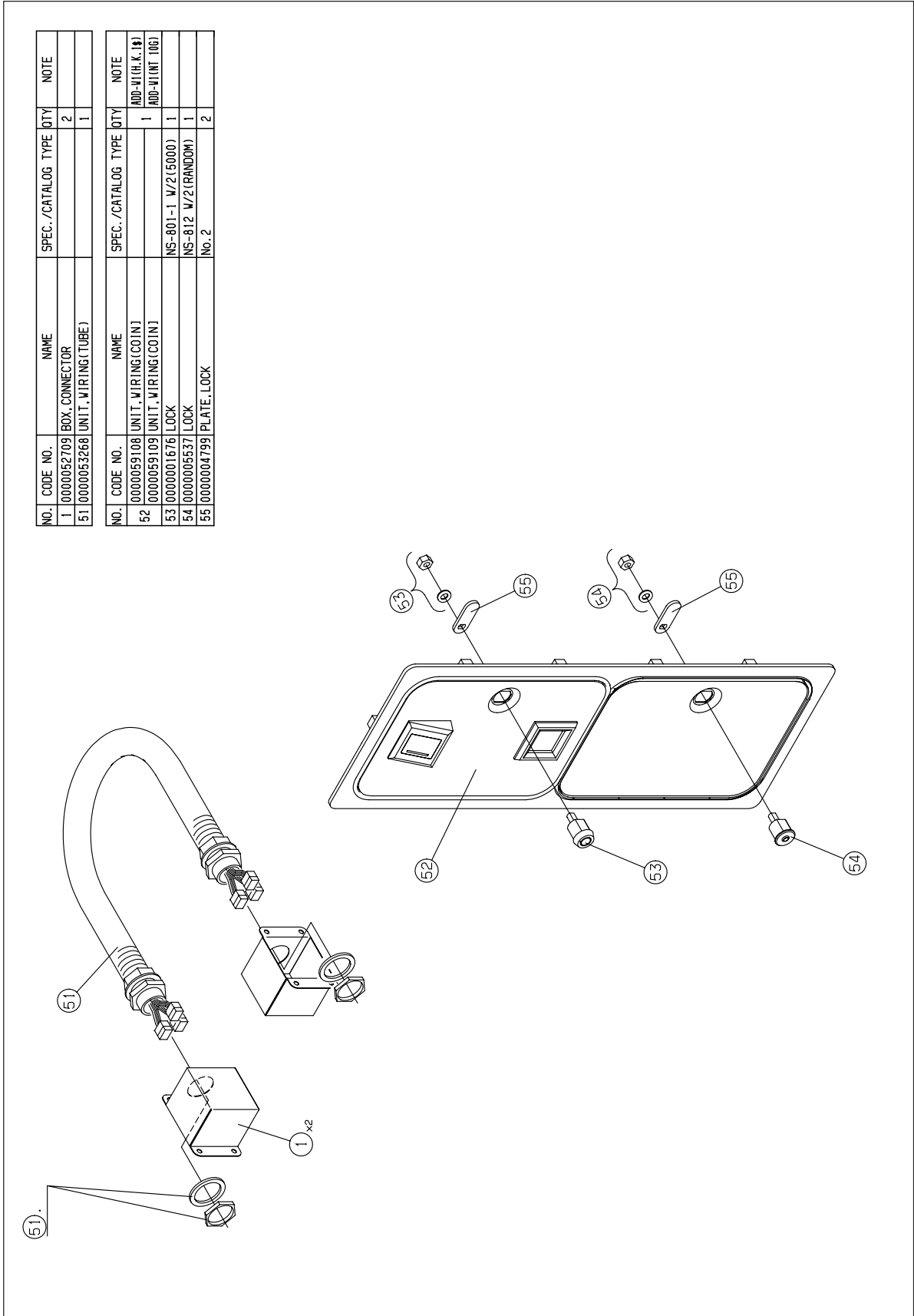
FIG.4 UNIT, CABINET(4/4)



NO.	CODE NO.	NAME	SPEC./CATALOG TYPE	QTY	NOTE
1	0000052663	BRACKET, POWER		1	
2	0000052370	COVER, DUCT		1	
3	0000053996	BOARD, PCB		2	
21	0000052770	INVERTER	2JV100-20C-GN845	1	
51	0000064337	UNIT, PCB BOX		1	
52	0000064720	UNIT, AMP BOX		1	
53	0000063084	ASS'Y, POWER BOX		1	
54	0000064617	ASS'Y, CONNECTOR		1	
55	0000064617	ASS'Y, DOOR BACK		1	
56	0000037537	ASS'Y, TRANSFORMER		1	

NO.	CODE NO.	NAME	SPEC./CATALOG TYPE	QTY	NOTE
101		SCREW, CROSS PAN SENS	Mx15/MFZL2-C	2	PV, SW
102		SCREW, CROSS PAN SENS	M6x20/MFZL2-C	6	PV, SW
103		SCREW, CROSS TRUSS	Mx20/ BLACK	4	
104		SCREW, CROSS TRUSS	M6x15/MFCr	8	
105		SCREW, CROSS TRUSS	M6x40/ BLACK	2	
106		SCREW, CROSS TAPPING TRUSS	4x12/MFCr	8	
107		SCREW, CROSS TAPPING TRUSS	4x12/ BLACK	8	
108		BOLT, WING	Mx30/MFZL2-C	4	
109		SCREW, CROSS TRUSS	M6x25/ BLACK	4	

**FIG.5 UNIT, TUBE / ASS'Y DOOR COIN** - - - - -



NO.	CODE NO.	NAME	SPEC./CATALOG	TYPE	QTY	NOTE
1	0000052709	BOX, CONNECTOR			2	
51	0000053268	UNIT, WIRING(TUBE)			1	

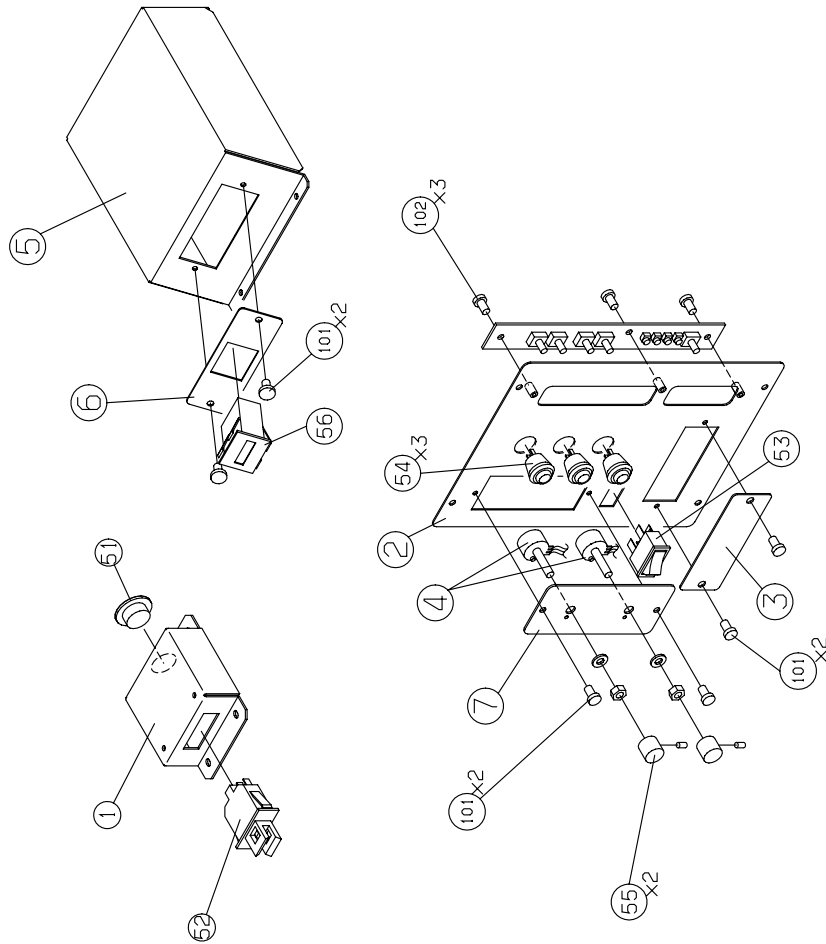
NO.	CODE NO.	NAME	SPEC./CATALOG	TYPE	QTY	NOTE
52	0000059108	UNIT, WIRING(COIN)			1	ADD-VT(H.K.18)
53	0000059109	UNIT, WIRING(COIN)			1	ADD-VT(NT.106)
54	0000001676	LOCK	NS-801-1	W/2 (5000)	1	
55	0000005537	LOCK	NS-812	W/2 (RANDOM)	1	
55	0000004799	PLATE, LOCK	No. 2		2	

**FIG.6 ASS'Y, SERVICE**

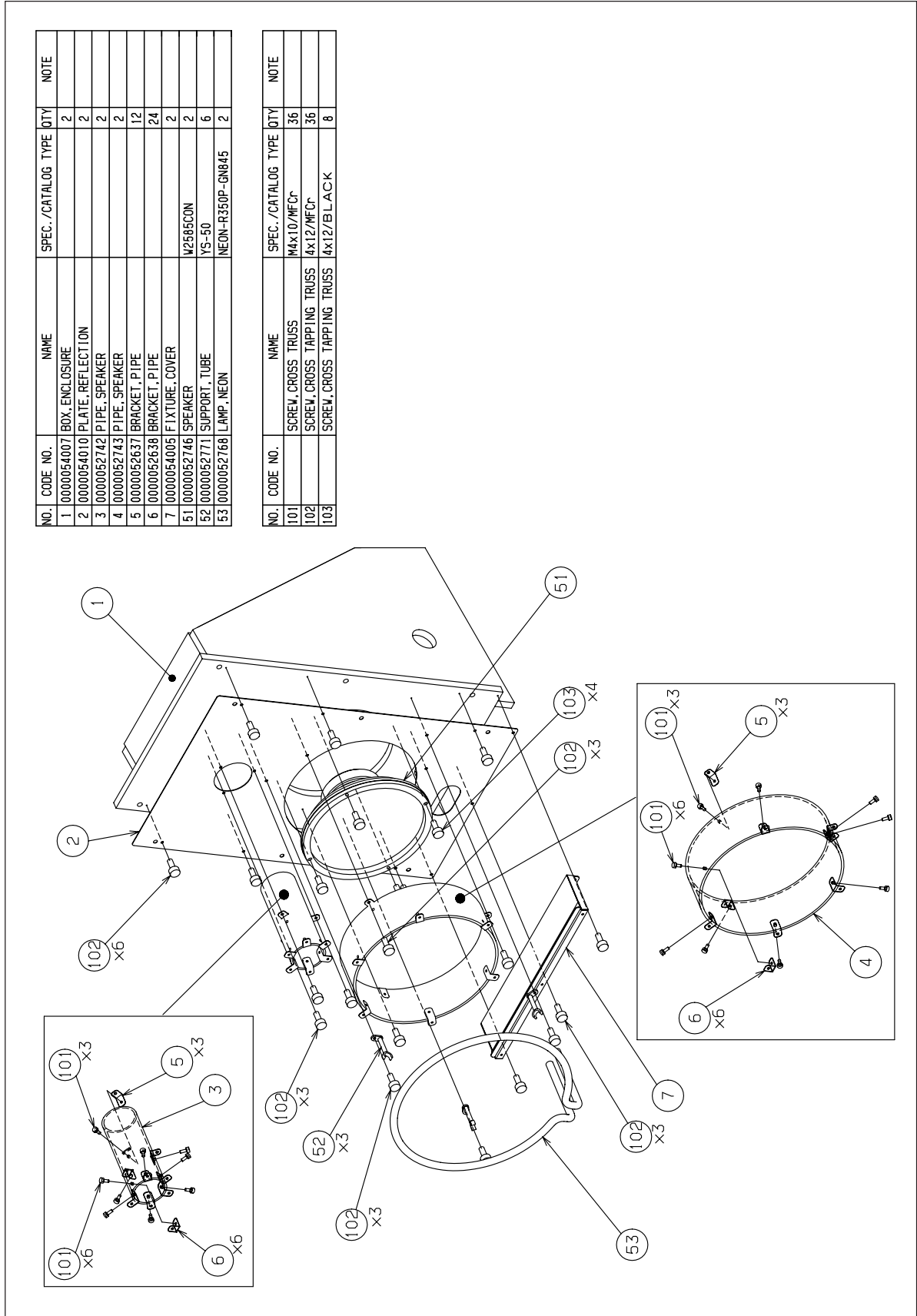
NO.	CODE NO.	NAME	SPEC./CATALOG	TYPE	QTY	NOTE
1	0000038221	BRACKET, SWITCH			1	
2	0000053995	PLATE, SERVICE			1	
3	0000012255	PLATE, COVER			1	
4	0000053270	UNIT, WIRING (VOL.)			1	
5	0000052657	BASE, COINBOX			1	
6	0000052631	PLATE, COUNTER			1	
7	0000053953	PLATE, VOLUME			1	
51	0000038413	BUSH	MP1060		1	
52	000004953	SWITCH, DOOR	AV1225		1	
53	0000039100	SWITCH, ROCKER	AJ8201BK		1	
54	000005098	SWITCH, PUSH	DS412 2P		3	
55	0000031436	KNOB	K-75M		2	
56	0000030431	COUNTER	GX-06PD55		1	

NO.	CODE NO.	NAME	SPEC./CATALOG	TYPE	QTY	NOTE
101		SCREW, CROSS PAN SENS	M4x10/MFZL2-C		6	PH, SW
102		SCREW, CROSS PAN PLASTIC	M3x6/PC		3	



**FIG.7 ASS'Y, BOX SPEAKER**





**FIG.8 ASS'Y, START**

NO.	CODE NO.	NAME	SPEC./CATALOG	TYPE	QTY	NOTE
4	0000063985	PLATE, START			1	
5	0000054003	DOOR, BACK			1	
6	0000062370	COVER, DUCT			1	
7	0000038230	PLATE, SWITCH			1	
51	0000034746	BUTTON, PUSH	0B5A-45UK-G		2	
52	0000049173	SWITCH, PUSH	0B5A-30US-Y		4	

NO.	CODE NO.	NAME	SPEC./CATALOG	TYPE	QTY	NOTE
103		SCREW, CROSS TAPPING TRUSS	4X1.2/BLACK		8	
104		SCREW, CROSS TAPPING TRUSS	4X1.2/MFCr		2	

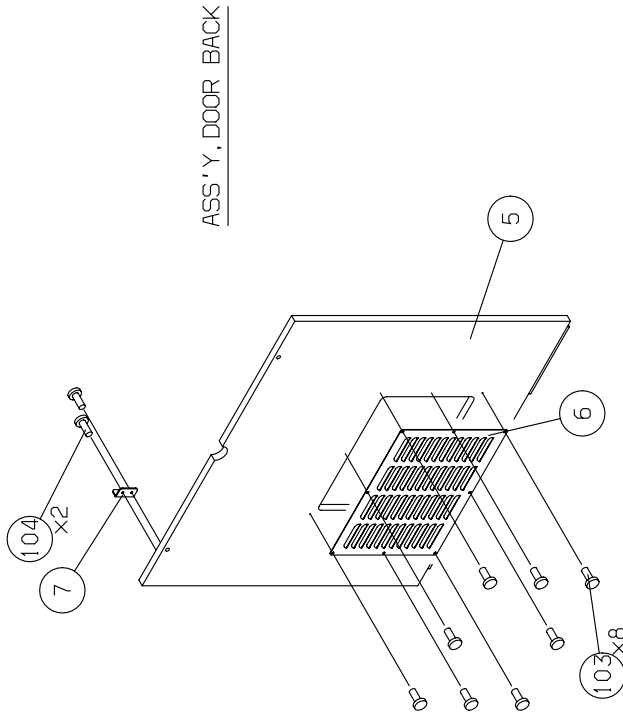
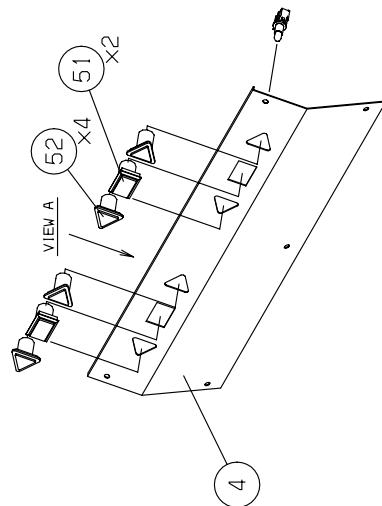
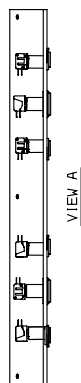
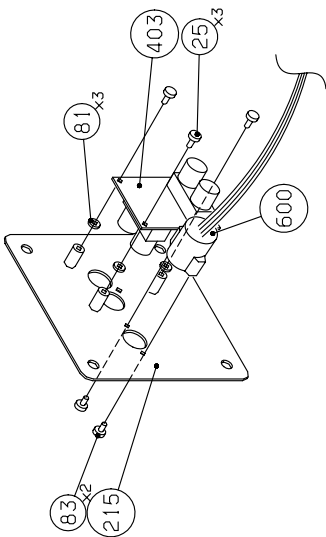


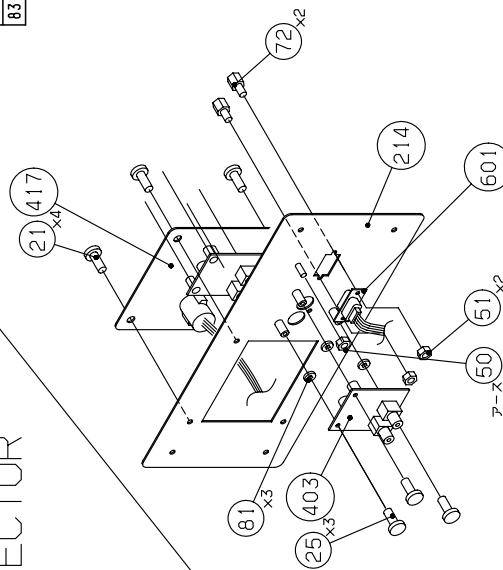
FIG.9 ASS'Y, CONNECTOR

NO.	CODE NO.	NAME	SPEC./CATALOG	TYPE	QTY	NOTE
	214	0000052665	BRACKET, CONNECTOR		1	
	215	0000060570	COVER, CONNECTOR		1	
	403	0000052605	UNIT, PCB(H)		2	
	417		ASS'Y, COVER, CONNECTOR		1	
	601	0000053230	WIRE		1	
	600	0000060243	CABLE, SERIAL		1	

NO.	CODE NO.	NAME	SPEC./CATALOG	TYPE	QTY	NOTE
	21	SCREW, CROSS PAN SENS	M4x10/MFZn2-C		4	PN, SV
	25	SCREW, CROSS PAN SENS	M3x6/MFZn2-C		6	SV
	50	NUT, FLANGE	M4/MFZn2-C		1	
	51	NUT, HEX	M3/MFZn2-C		2	
	72	SPACER	17L-003C26		2	
	81	WASHER, PLAIN	CC-0306-05		6	
	83	SCREW, CROSS P-TIGHT PAN	2.6x6/MFZn		2	



ASS'Y COVER, CONNECTOR

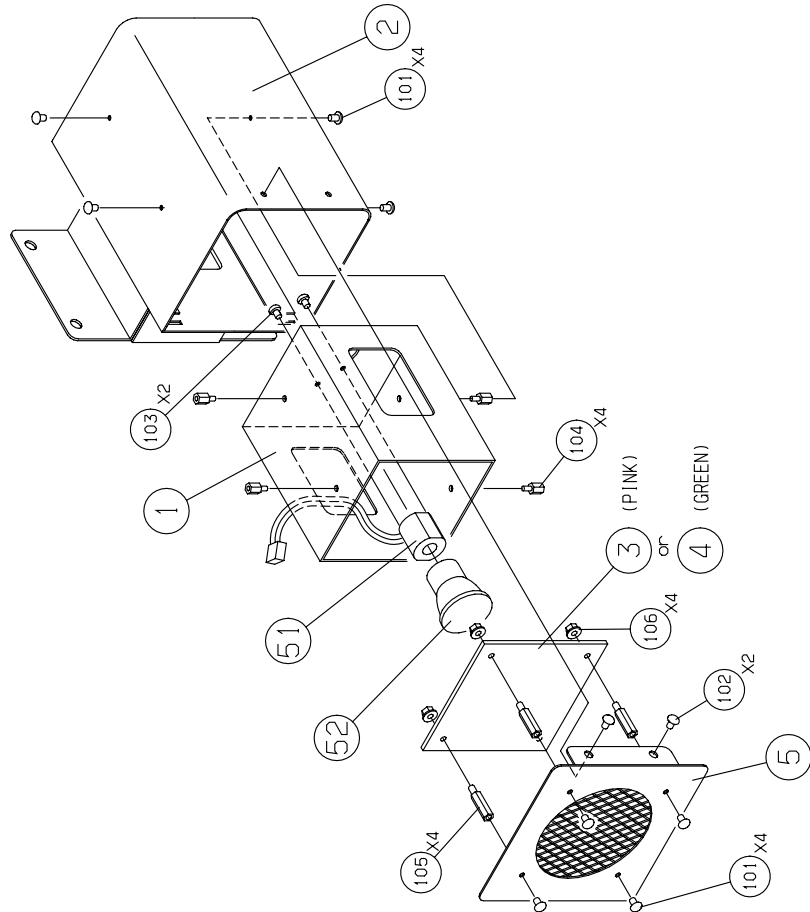


ASS'Y, CONNECTOR

FIG.11 ASS'Y, LIGHT A / B

NO.	CODE NO.	NAME	SPEC./CATALOG	TYPE	QTY	NOTE
1	0000054008	BOX, LAMP			4	
2	0000055665	FIXTURE, LAMP			4	
3	0000053979	COVER, LAMP			2	PINK
4	0000053977	COVER, LAMP			2	GREEN
5	0000055664	COVER, LAMP			4	
6	0000053976	COVER, DUCT			4	
51	0000053318	SOCKET	E10FS-GN845		4	
52	0000053315	LAMP, HALOGEN	JR 12V-20W/L/K3/EZ		4	

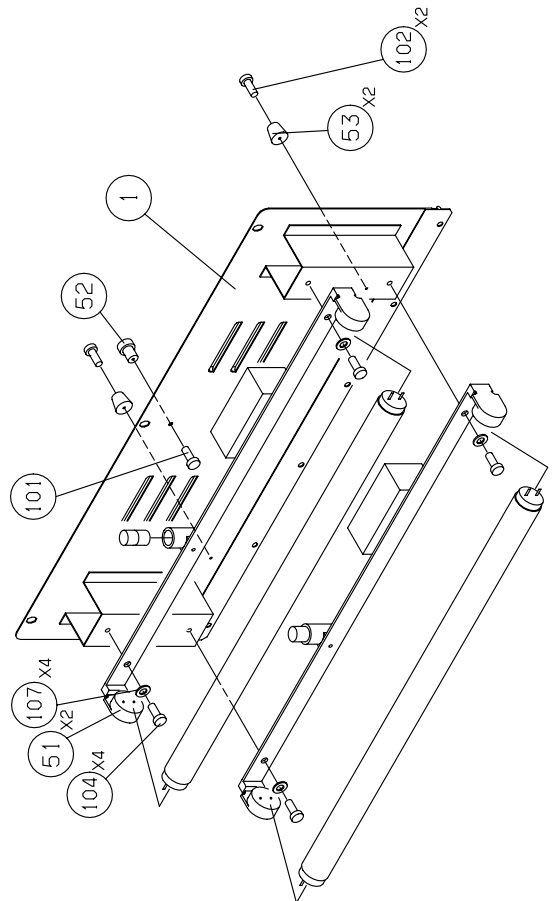
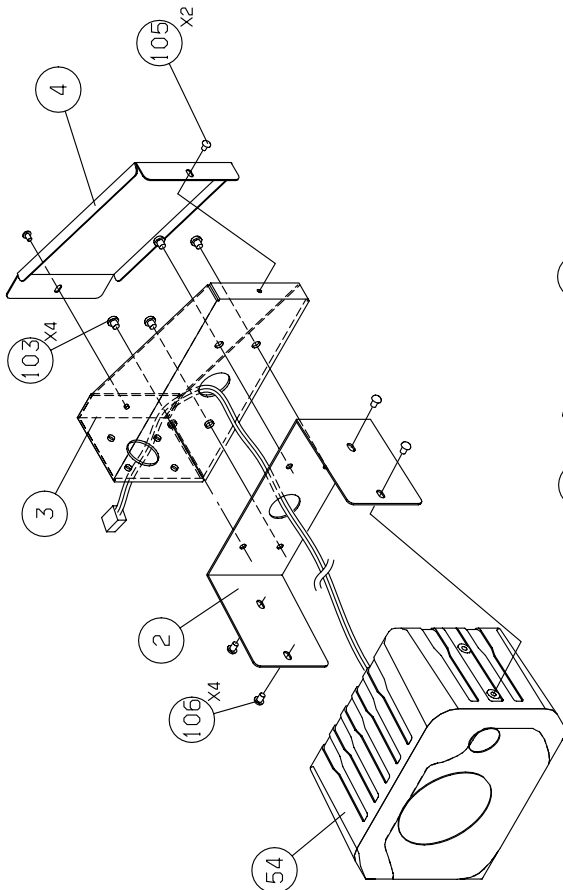
NO.	CODE NO.	NAME	SPEC./CATALOG	TYPE	QTY	NOTE
101		SCREW, CROSS, TRUSS	M4x6/BLACK		32	
102		SCREW, CROSS, TRUSS	M4x10/BLACK		24	
103		SCREW, CROSS PAN SEMS	M3x5/MFZn2-C		8	PH, SW
104		SPACER	BSB-408-7		16	
105		SPACER	BSB-420-7		16	
106		NUT, FLANGE	M4/MFZn2-C		16	



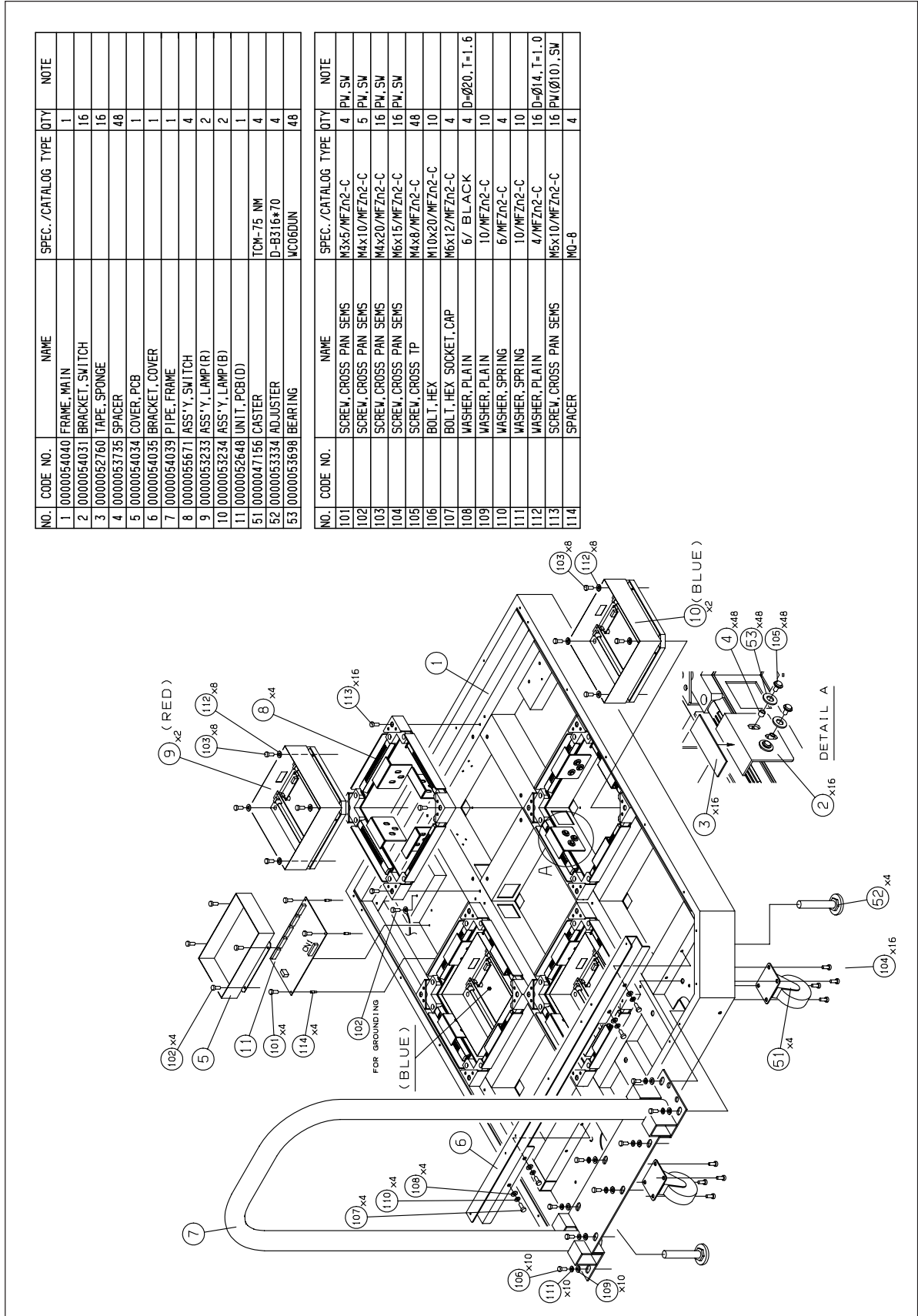
**FIG.12 ASS'Y, SPEAKER / ASS'Y, LAMP**

NO.	CODE NO.	NAME	SPEC./CATALOG	TYPE	QTY	NOTE
1	0000049345	BRACKET, LAMP			1	
2	0000052641	BRACKET, SPEAKER			2	
3	0000052639	FIXTURE, SPEAKER			2	
4	0000052635	COVER, SPEAKER			2	
51	0000048810	LAMP, F. WITH HOLDER	HZ2055-G0876		2	
52	0000048813	KNOB	A-GD20		1	
53	0000048814	LEG, RUBBER	H-SK1912		2	
54	0000037413	SPEAKER	EE0135E1		2	

NO.	CODE NO.	NAME	SPEC./CATALOG	TYPE	QTY	NOTE
101		SCREW, CROSS PAN SEMS	M4x15/MFZn2-C		1	PN, SW
102		SCREW, CROSS PAN	M4x15/MFZn2-C		2	PN, SW
103		SCREW, CROSS PAN SEMS	M6x10/MFZn2-C		8	PN, SW
104		SCREW, CROSS PAN SEMS	M6x15/MFZn2-C		4	PN, SW
105		SCREW, CROSS TRUSS	M4x10/BLACK		4	
106		SCREW, CROSS TRUSS	M5x10/BLACK		8	
107		WASHER, PLAIN	B/MFZn2-C		4	



**FIG.13 UNIT, STEP BASE L(1/2)**



**FIG.14 UNIT, STEP BASE L(2/2)**

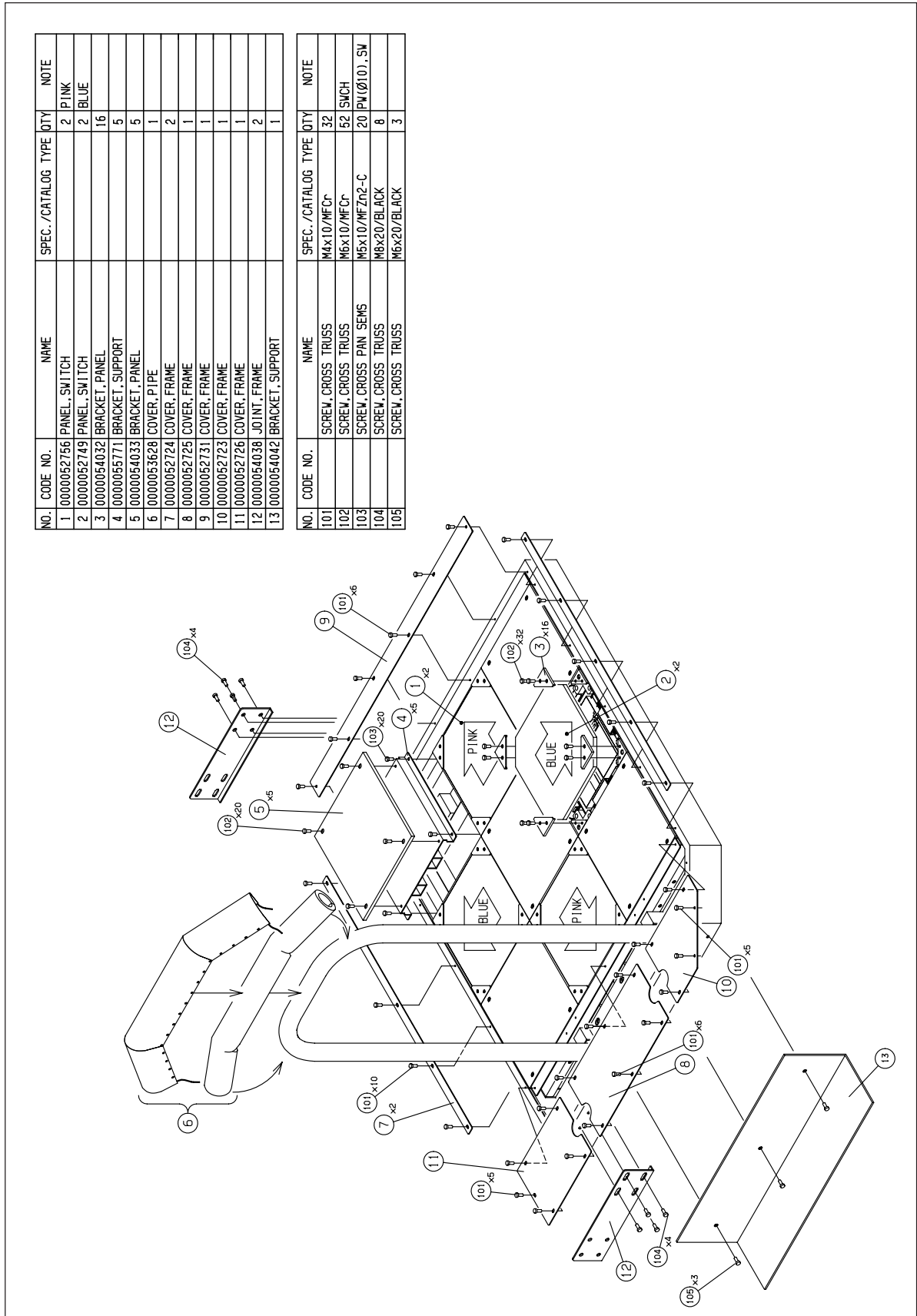


FIG.15 UNIT, STEP BASE R(1/2)

NO.	CODE NO.	NAME	SPEC./CATALOG	TYPE	QTY	NOTE
1	10000054041	FRAME, MAIN			1	
2	10000054031	BRACKET, SWITCH			16	
3	10000052760	TAPE, SPONGE			16	
4	10000053735	SPACER			48	
5	10000054034	COVER, PCB			1	
6	10000054035	BRACKET, COVER			1	
7	10000054039	PIPE, FRAME			1	
8	10000055671	ASS'Y, SWITCH			4	
9	10000053233	ASS'Y, LAMP(R)			2	
10	10000053234	ASS'Y, LAMP(B)			2	
11	10000052648	UNIT, PCB(D)			1	
51	10000047156	CASTER	TCM-75 NM		4	
52	10000053334	ADJUSTER	D-B316*70		4	
53	10000053698	BEARING	WC6DUUN		48	

NO.	CODE NO.	NAME	SPEC./CATALOG	TYPE	QTY	NOTE
101		SCREW, CROSS PAN SENS	M3x5/MFZn2-C		4	PV, SW
102		SCREW, CROSS PAN SENS	M4x10/MFZn2-C		5	PV, SW
103		SCREW, CROSS PAN SENS	M4x20/MFZn2-C		16	PV, SW
104		SCREW, CROSS PAN SENS	M6x15/MFZn2-C		16	PV, SW
105		SCREW, CROSS TP	M4x8/MFZn2-C		48	
106		BOLT, HEX	M10x20/MFZn2-C		10	
107		BOLT, HEX SOCKET, CAP	M6x12/MFZn2-C		4	D=Ø20, T=1.6
108		WASHER, PLAIN	6/BLACK		4	
109		WASHER, PLAIN	10/MFZn2-C		10	
110		WASHER, SPRING	6/MFZn2-C		4	
111		WASHER, SPRING	10/MFZn2-C		10	
112		WASHER, PLAIN	4/MFZn2-C		16	D=Ø14, T=1.0
113		SCREW, CROSS PAN SENS	M6x10/MFZn2-C		16	PV(Ø10), SW
114		SPACER	MO-8		4	

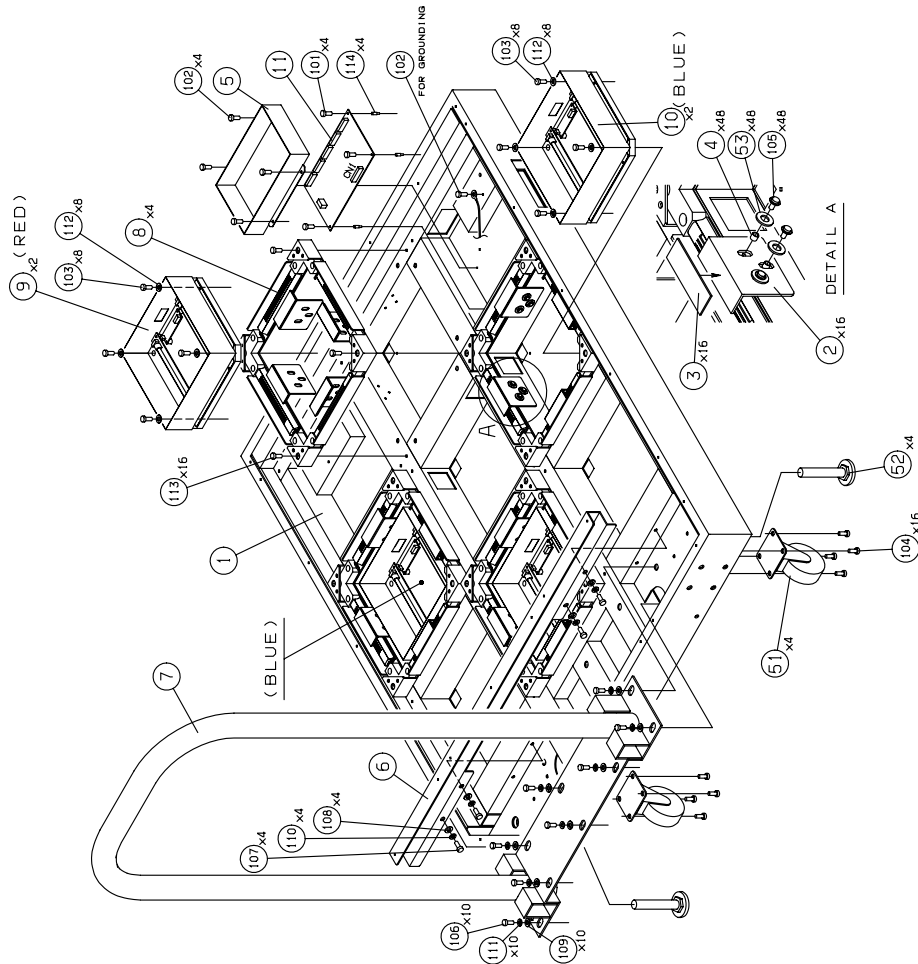
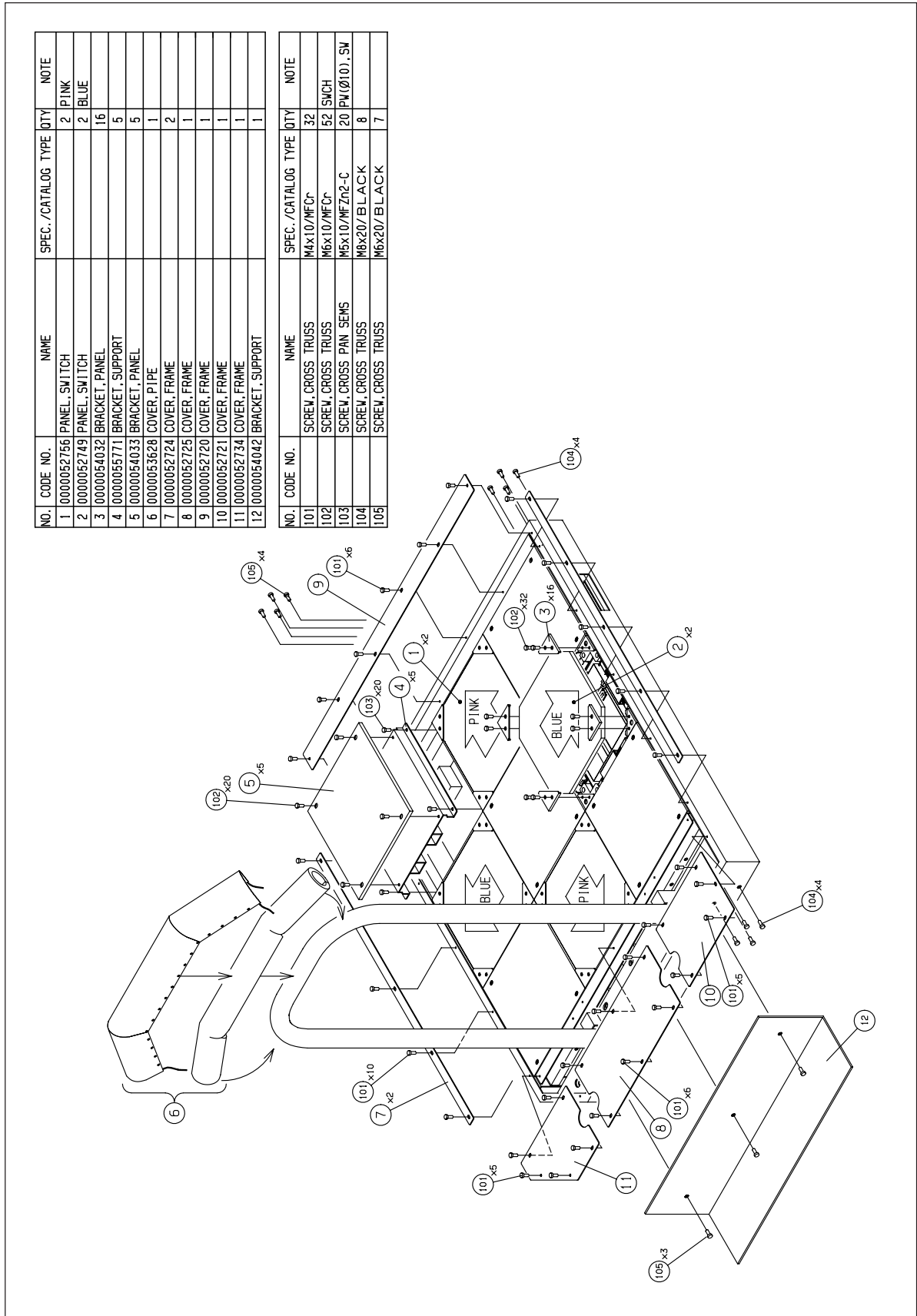


FIG.16 UNIT, STEP BASE R(2/2)



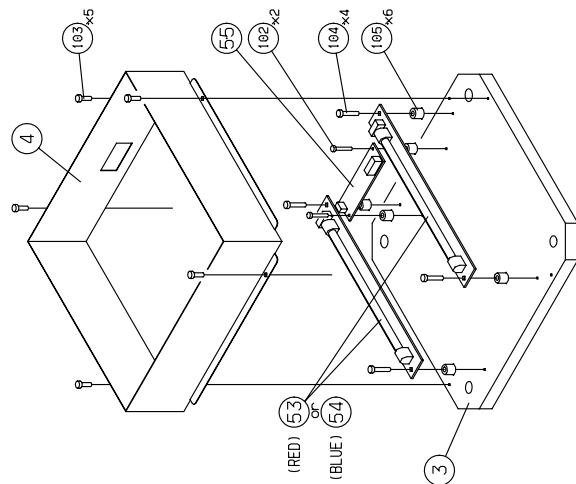
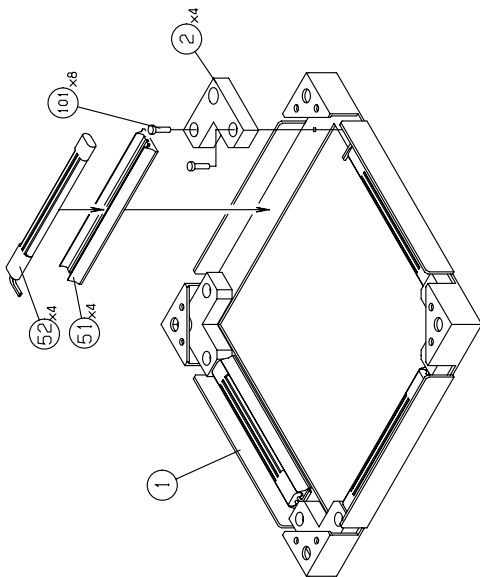


■ FIG.17 UNIT, STEP BASE L / R ———

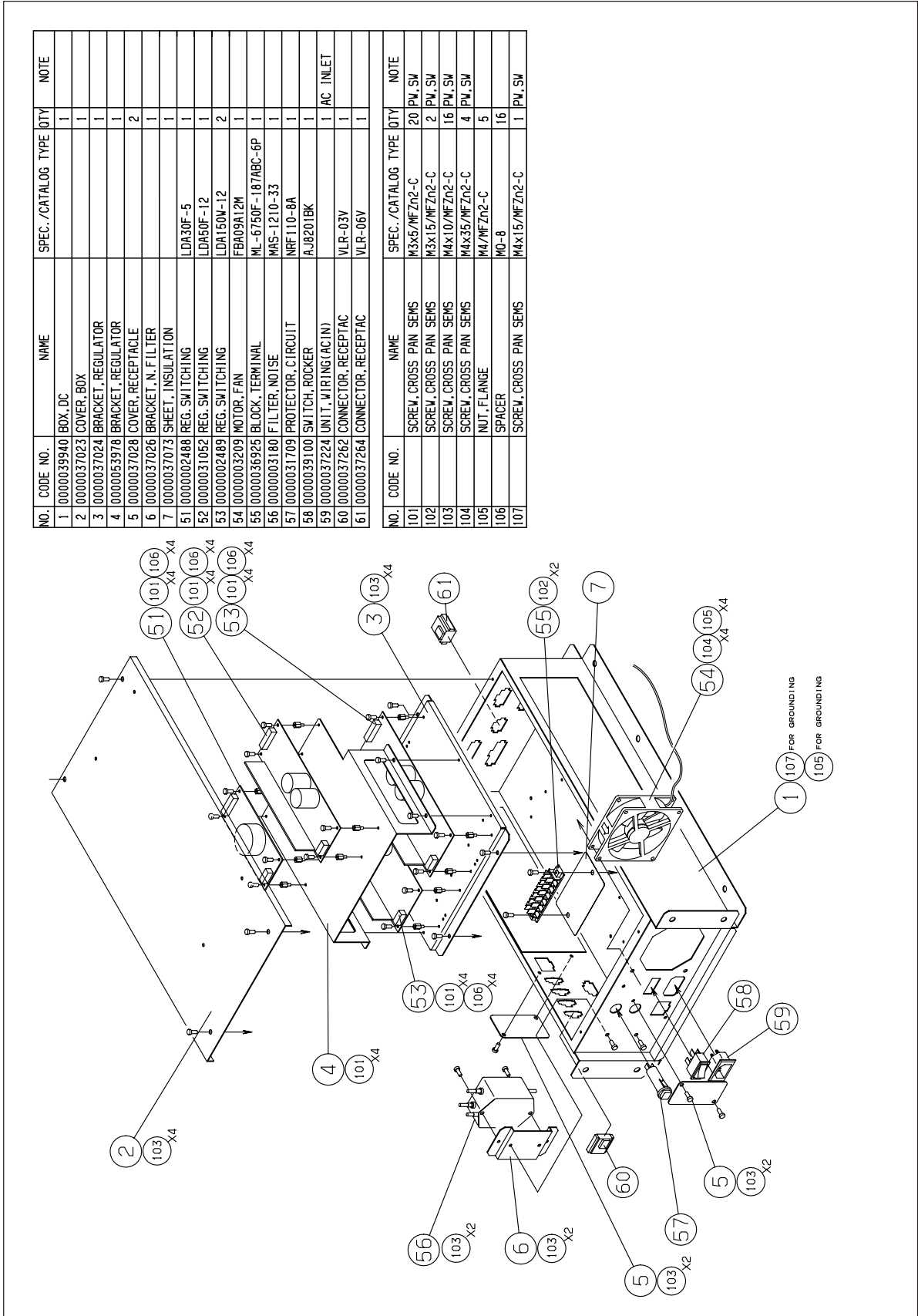
NO.	CODE NO.	NAME	SPEC./CATALOG	TYPE	QTY	NOTE
1	0000055663	FRAME, SWITCH			1	
2	0000053987	STOPPER, SWITCH			4	
3	0000053959	BOARD, LAMP			1	
4	0000053983	COVER, LAMP			1	
51	0000052757	CHANNEL, RUBBER	RG601		4	
52	0000052752	SWITCH, CABLE	CB601		4	
53	0000052741	TUBE, COLD CATHODE	HIU-417-L R		1	RED
54	0000052739	TUBE, COLD CATHODE	HIU-417-L B		1	BLUE
55	0000052744	INVERTER	HIU-417		1	

NO.	CODE NO.	NAME	SPEC./CATALOG	TYPE	QTY	NOTE
101		SCREW, CROSS PAN SEMS	M4x15/MFZn2-C		8	PH(Ø10), SW
102		SCREW, CROSS, WOOD ROUND	2.4x16/MFZn2-C		2	
103		SCREW, CROSS, WOOD ROUND	3.1x10/MFZn2-C		5	
104		SCREW, CROSS, WOOD ROUND	3.1x16/MFZn2-C		4	
105		SPACER, PLASTIC	4x8		6	



**FIG.18 ASS'Y, POWER BOX**

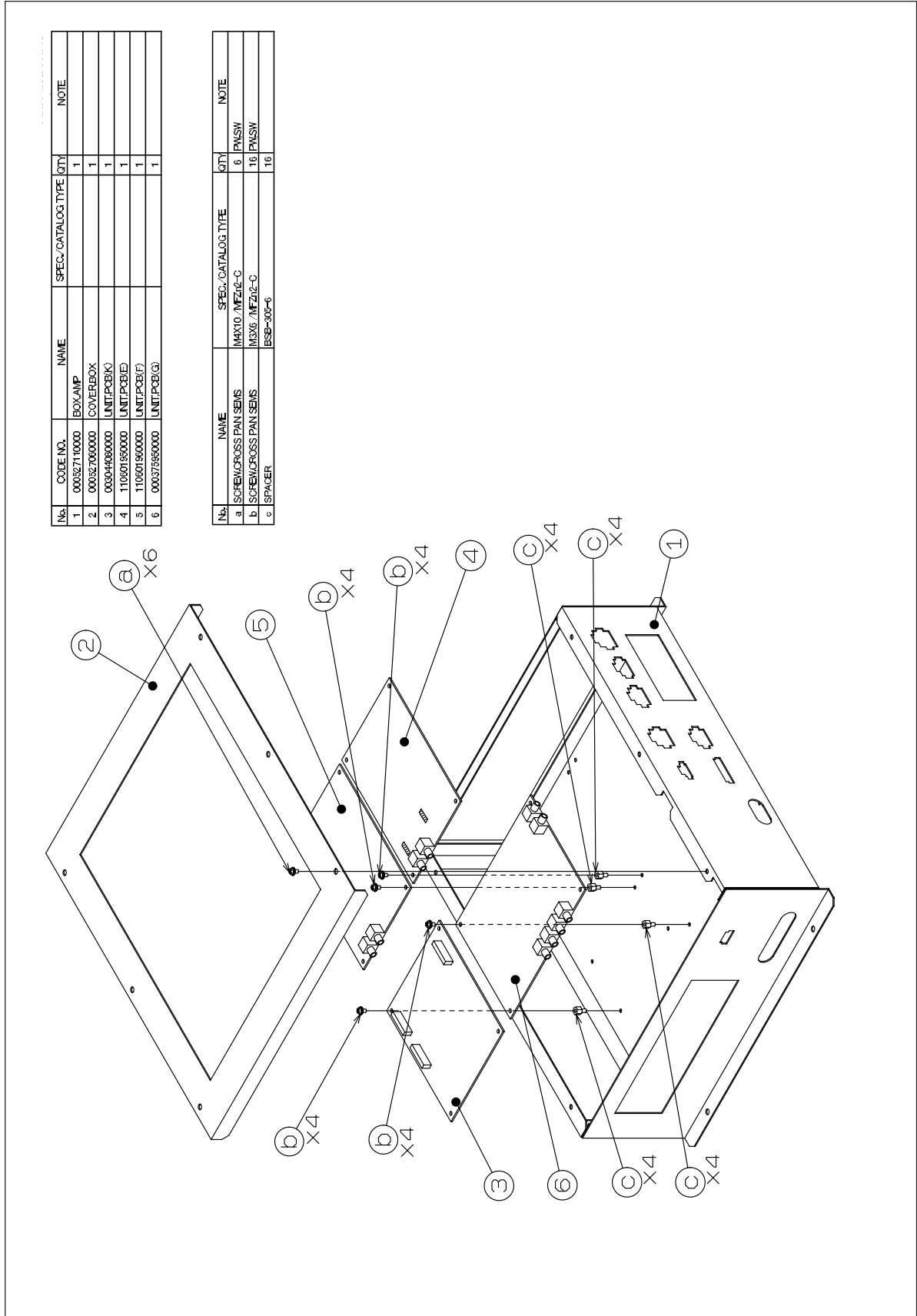


NO.	CODE NO.	NAME	SPEC./CATALOG	TYPE	QTY	NOTE
1	0000039940	BOX,DC			1	
2	0000037023	COVER,BOX			1	
3	0000037024	BRACKET,REGULATOR			1	
4	0000053978	BRACKET,REGULATOR			1	
5	0000037028	COVER,RECEPTACLE			2	
6	0000037026	BRACKET,N.FILTER			1	
7	0000037073	SHEET,INSULATION			1	
51	000002488	REG. SWITCHING	LDA30F-5		1	
52	0000031052	REG. SWITCHING	LDA60F-12		1	
53	0000002489	REG. SWITCHING	LDA150W-12		2	
54	0000003209	MOTOR,FAN	FBA09A12M		1	
55	0000036925	BLOCK, TERMINAL	ML-6750F-187ABC-6P		1	
56	0000003180	FILTER, NOISE	MAS-1210-33		1	
57	0000031709	PROTECTOR, CIRCUIT	NRF110-8A		1	
58	0000039100	SWITCH,ROCKER	AJ8201BK		1	AC INLET
59	0000037224	UNIT, WIRING(ACIN)			1	AC INLET
60	0000037262	CONNECTOR,RECEPTAC	VLR-03V		1	
61	0000037264	CONNECTOR,RECEPTAC	VLR-06V		1	

NO.	CODE NO.	NAME	SPEC./CATALOG	TYPE	QTY	NOTE
101		SCREW,CROSS PAN SENS	M3x5/MFZn2-C		20	PV, SW
102		SCREW,CROSS PAN SENS	M3x15/MFZn2-C		2	PV, SW
103		SCREW,CROSS PAN SENS	M4x10/MFZn2-C		16	PV, SW
104		SCREW,CROSS PAN SENS	M4x35/MFZn2-C		4	PV, SW
105		NUT,FLANGE	M4/MFZn2-C		5	
106		SPACER	MO-8		16	
107		SCREW,CROSS PAN SENS	M4x15/MFZn2-C		1	PV, SW

**FIG.19 UNIT, AMP BOX**



**FIG.20 UNIT, I/O BOX** - - - - -

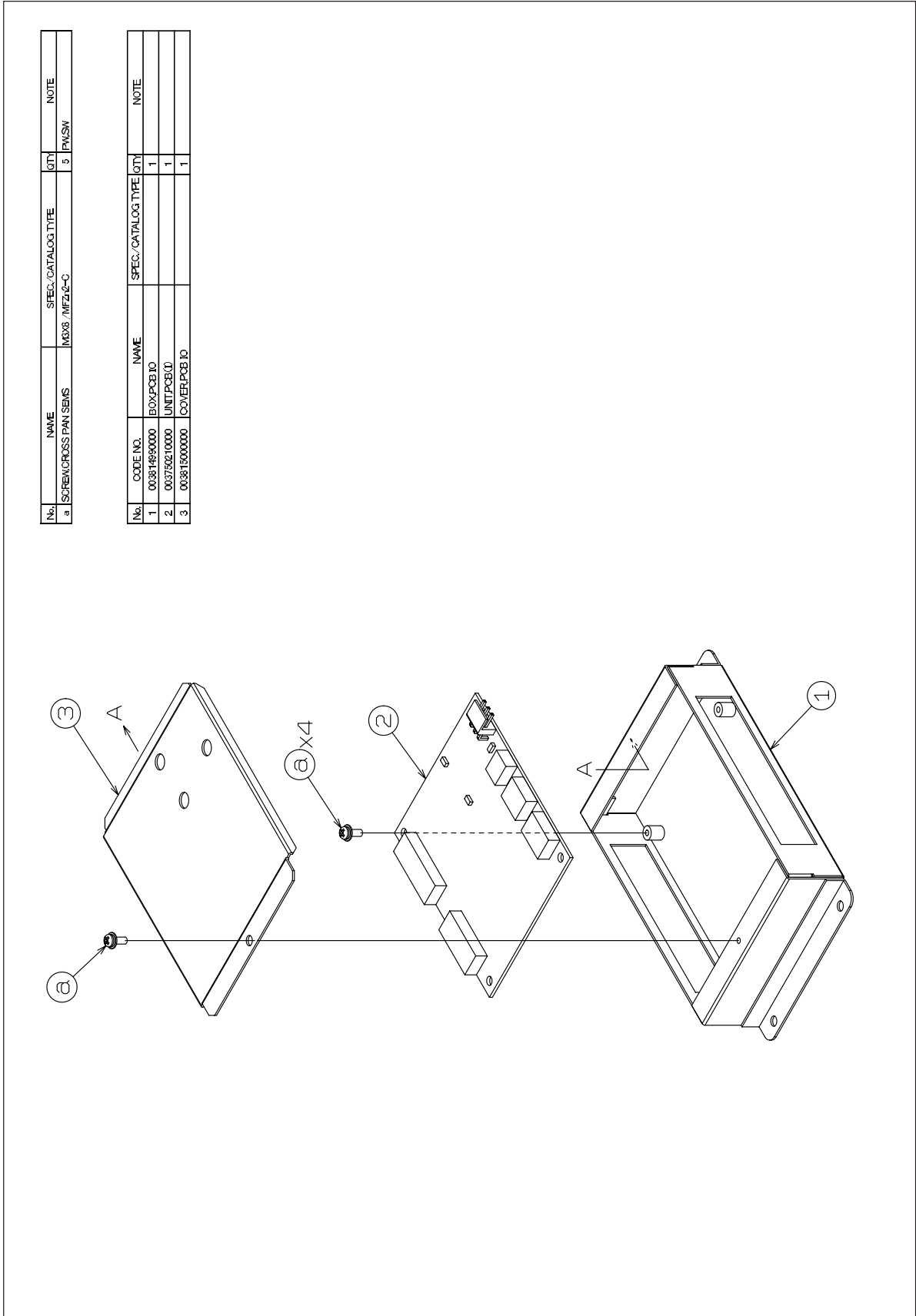


FIG.21 UNIT, PCB BOX (1/2)

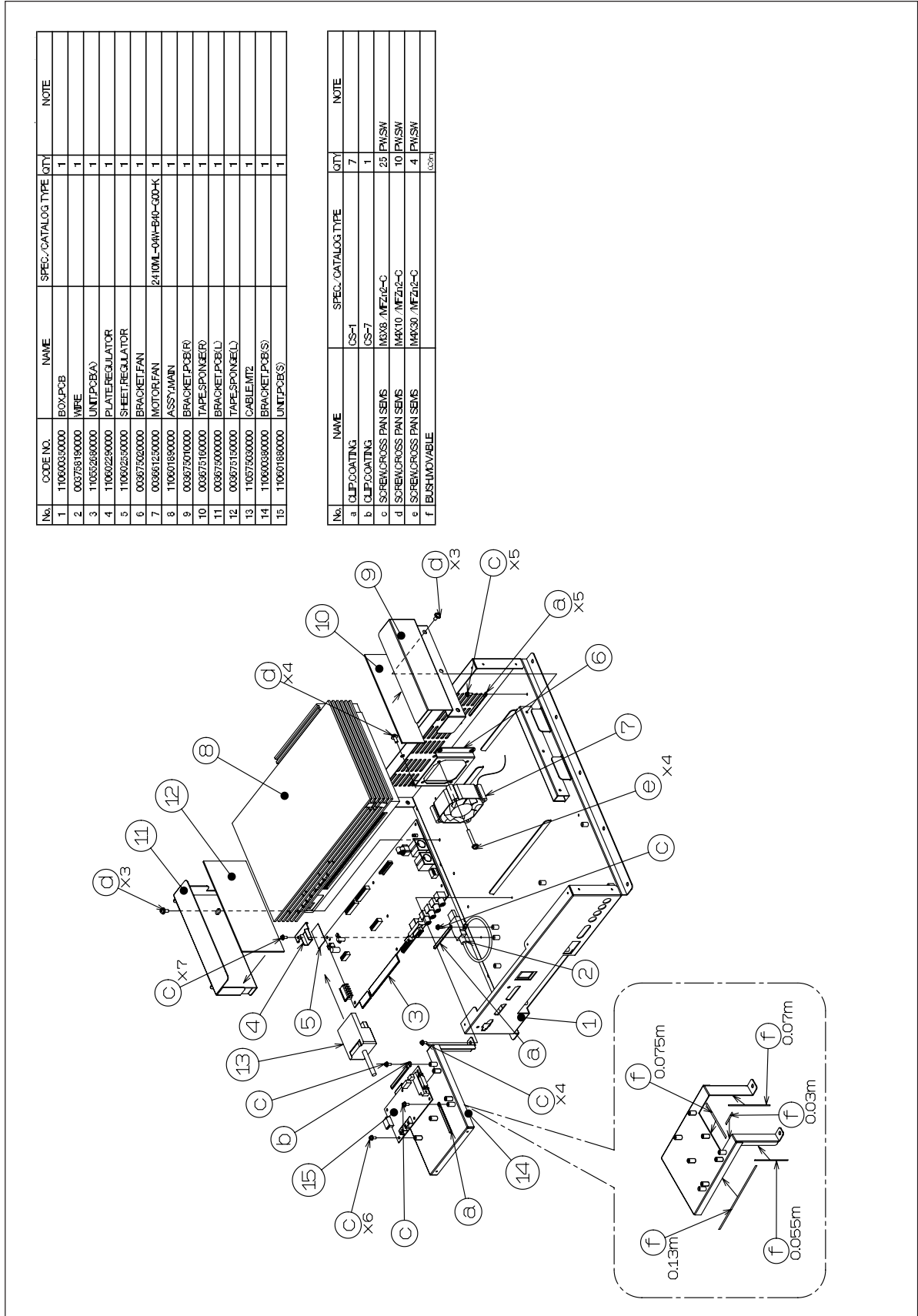
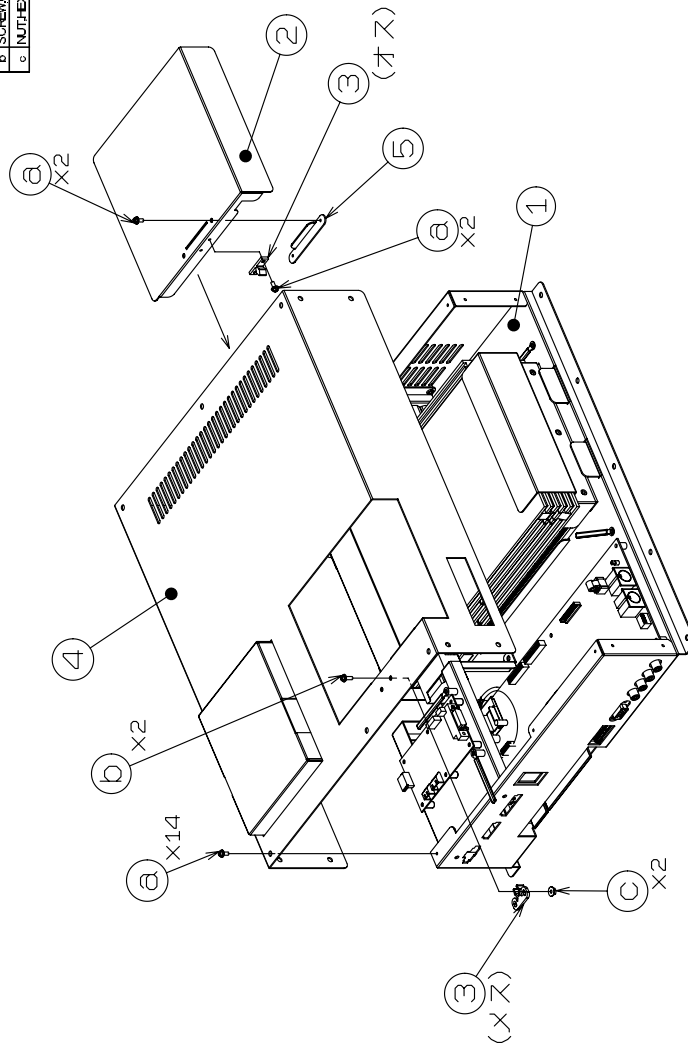


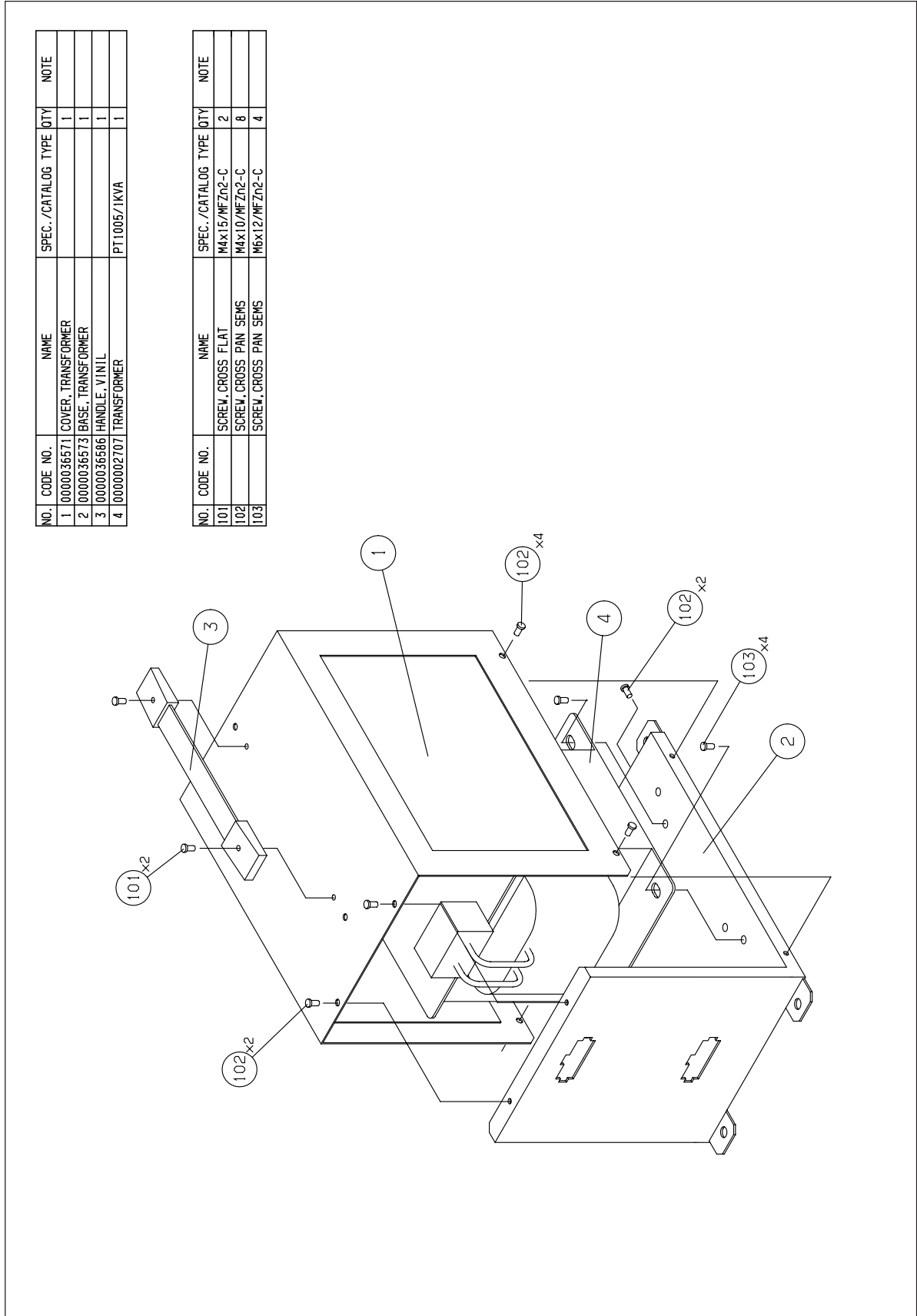
FIG.22 UNIT, PCB BOX (2/2)

No.	CODE NO.	NAME	SPEC./CATALOG TYPE	QTY	NOTE
1		UNIT PCB BOX (1/2)		1	Refer to Fig.1
2	003675130000	COVER MAINTENANCE		1	
3	006532710000	CATCH	B-U226	1	
4	110003000000	COVER BOX		1	
5	003675140000	LEVER		1	

No.	NAME	SPEC./CATALOG TYPE	QTY	NOTE
a	SCREW/CROSS PAN SEMI	M3X8 /MFZ12-C	18	PWSW
b	SCREW/CROSS PAN SEMI	M3X10 /MFZ12-C	2	PWSW
c	NUT-HEXAGON WITH FLANGE	M3 /MFZ12-C	2	



**FIG.23 ASS'Y, TRANSFORMER** — — — — —



NO.	CODE NO.	NAME	SPEC./CATALOG	TYPE	QTY	NOTE
1	10000036571	COVER, TRANSFORMER			1	
2	10000036573	BASE, TRANSFORMER			1	
3	10000036586	HANDLE, VINIL			1	
4	1000002707	TRANSFORMER	PT1005/1KVA		1	

NO.	CODE NO.	NAME	SPEC./CATALOG	TYPE	QTY	NOTE
101		SCREW, CROSS FLAT	M4X15/MFZn2-C		2	
102		SCREW, CROSS PAN SENS	M4X10/MFZn2-C		8	
103		SCREW, CROSS PAN SENS	M6X12/MFZn2-C		4	

**FIG.24 UNIT, ATTACHMENT**

NO.	CODE NO.	NAME	SPEC./CATALOG	TYPE	QTY	NOTE
1		SCREW, CROSS TRUSS	M6X20		6	
2		BOLT, BUTTON HEAD	M6X20		5	
3		WASHER, PLAIN	6MM		5	
4	0000004565	WRENCH KEY, HEXAGON	4MM		1	
5	0000071448	UNIT, CD-ROM			1	
6	0000059047	LABEL, INST/HD			1	
7	0000071449	BOOK, MANUAL/HD			1	
8	0000060244	CABLE, SERIAL	TPX4309-010200		1	
9	0000060577	CABLE, RCA	TPX1712-015130		1	
10	0000046460	CABLE, AC			1	
11		LOCK	MAINTENANCE		1	2PIECES
12		LOCK	COIN BOX		1	2PIECES
13	0000071901	UNIT, INITIALISE			1	
14	0000070109	POP, MANUAL			1	
15	0000070107	POP/L			1	
16	0000070108	POP/R			1	
17						
18						
19						
20						

