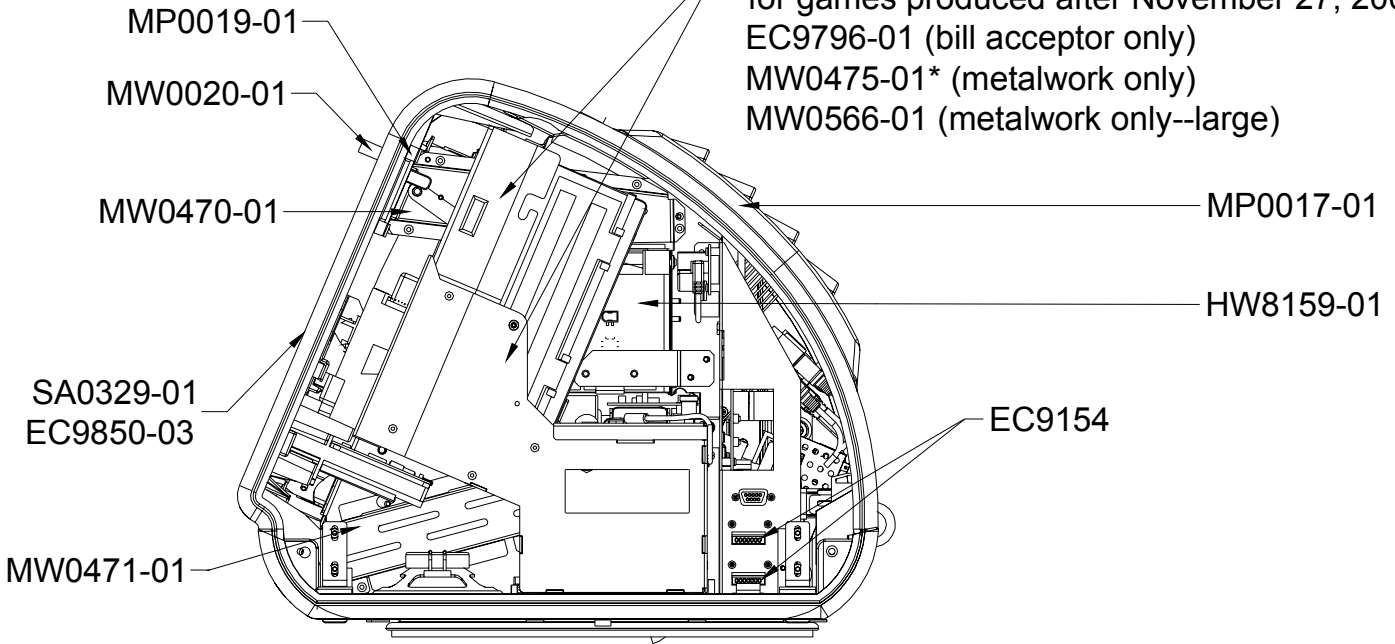
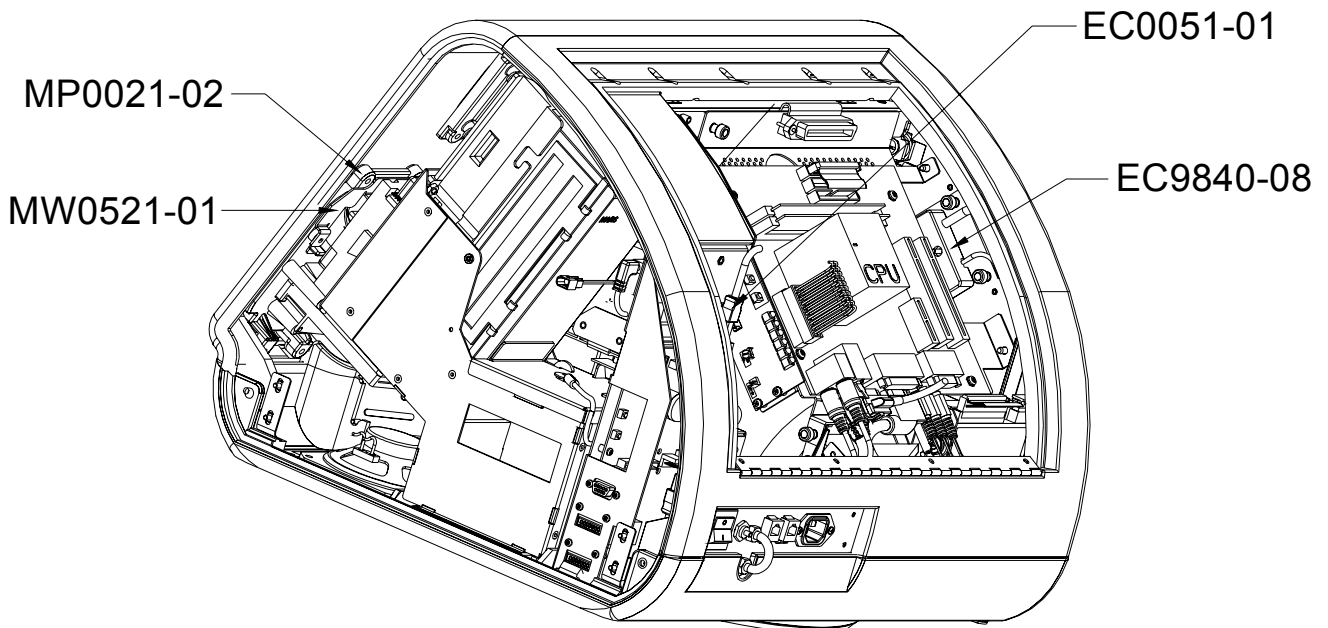
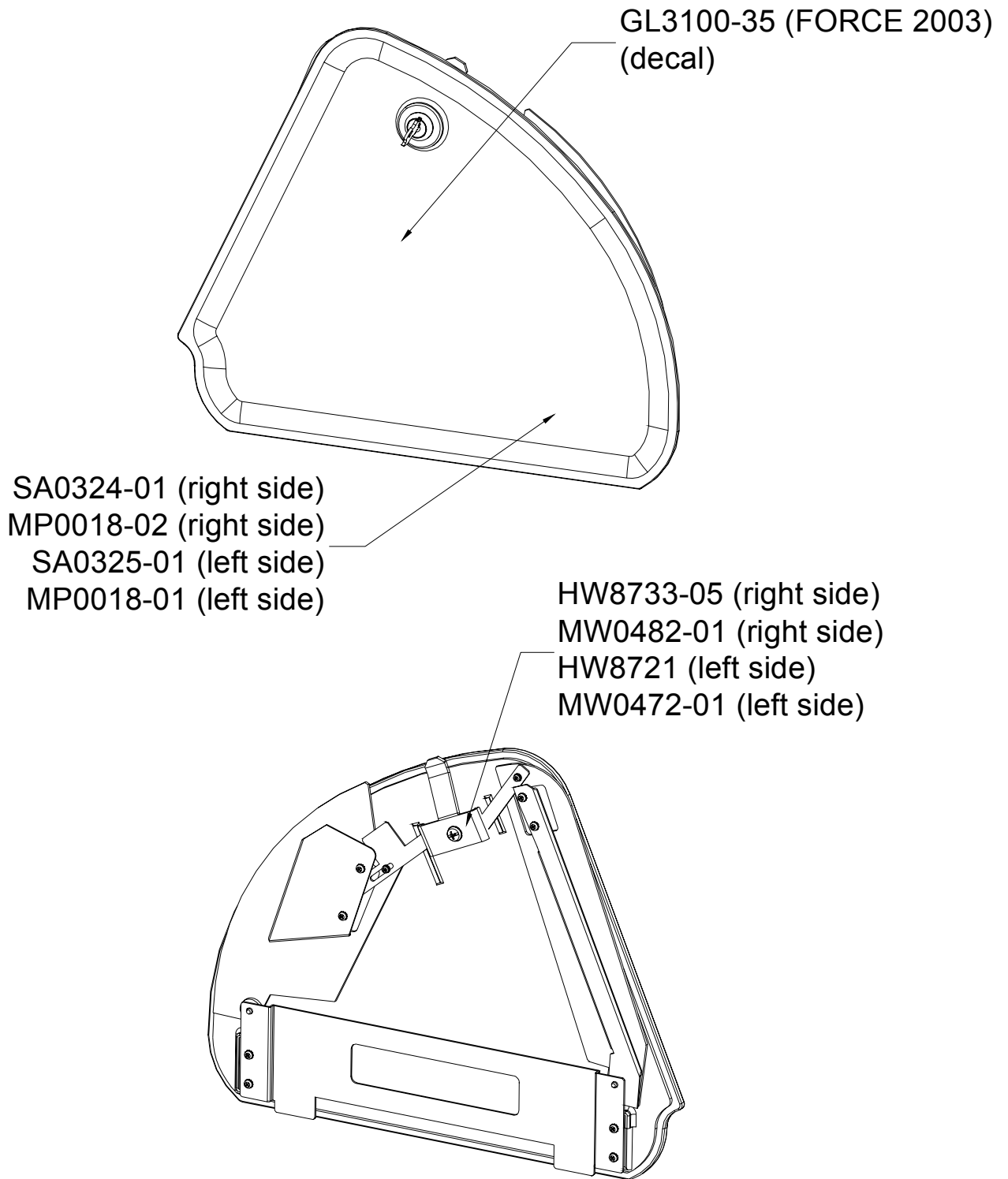


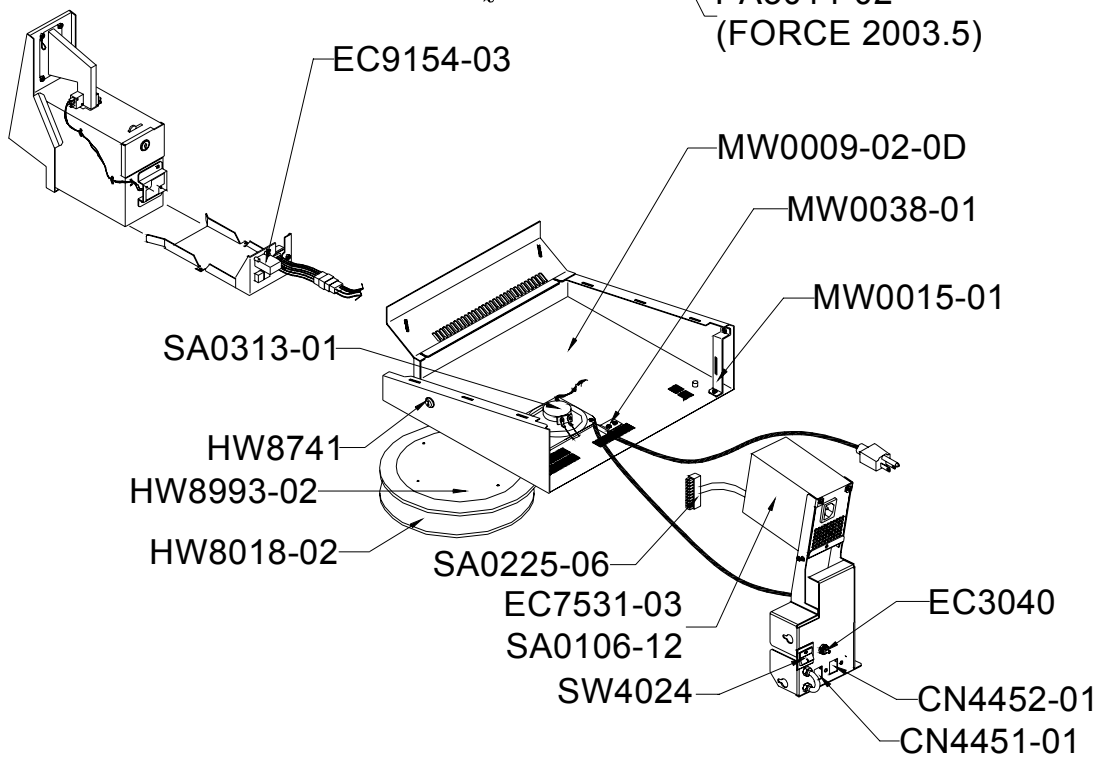
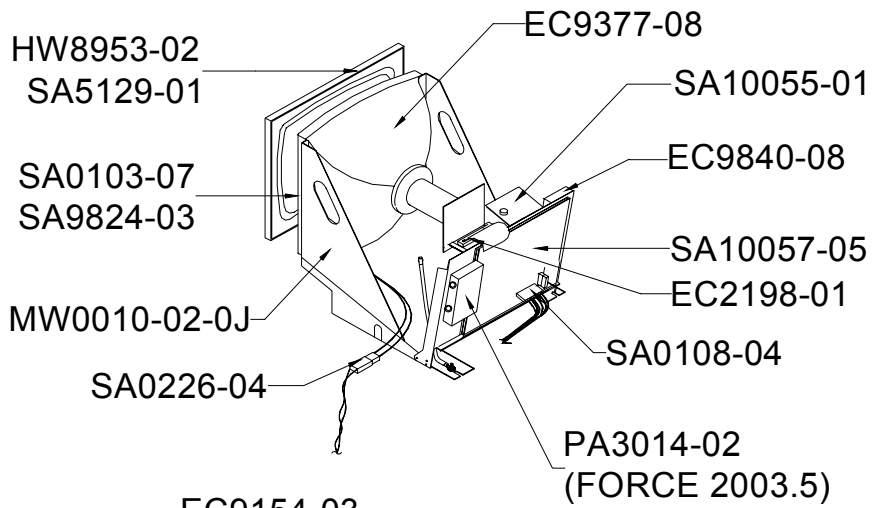
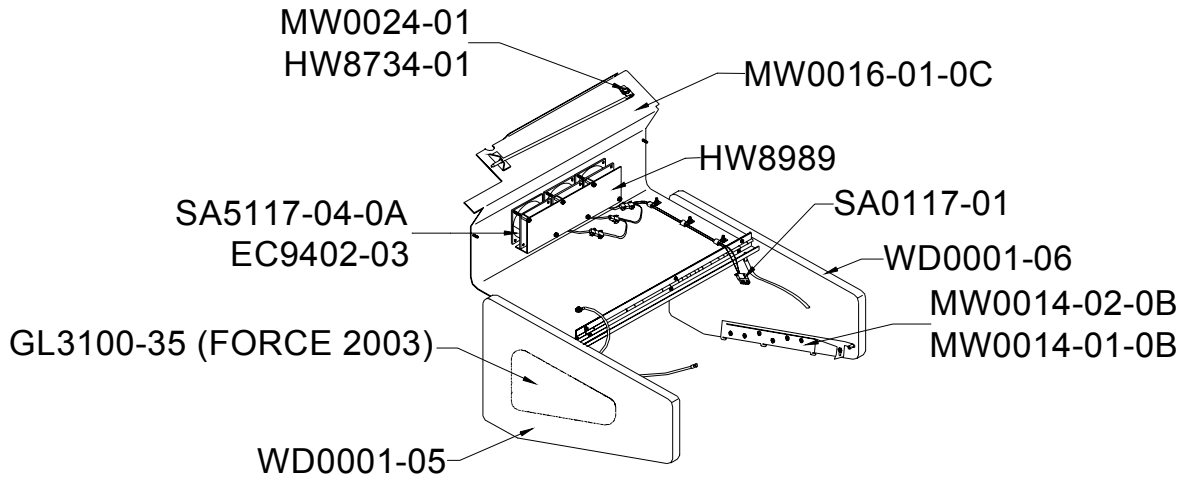
SA0338-01* (coin box & bill acceptor--
for games produced before October 7, 2002)
SA0338-07 (oversized coin box & bill acceptor--
for games produced after October 7, 2002)
SA0338-11 (oversized coin box w/o bill acceptor--
for games produced after November 27, 2002)
EC9796-01 (bill acceptor only)
MW0475-01* (metalwork only)
MW0566-01 (metalwork only--large)

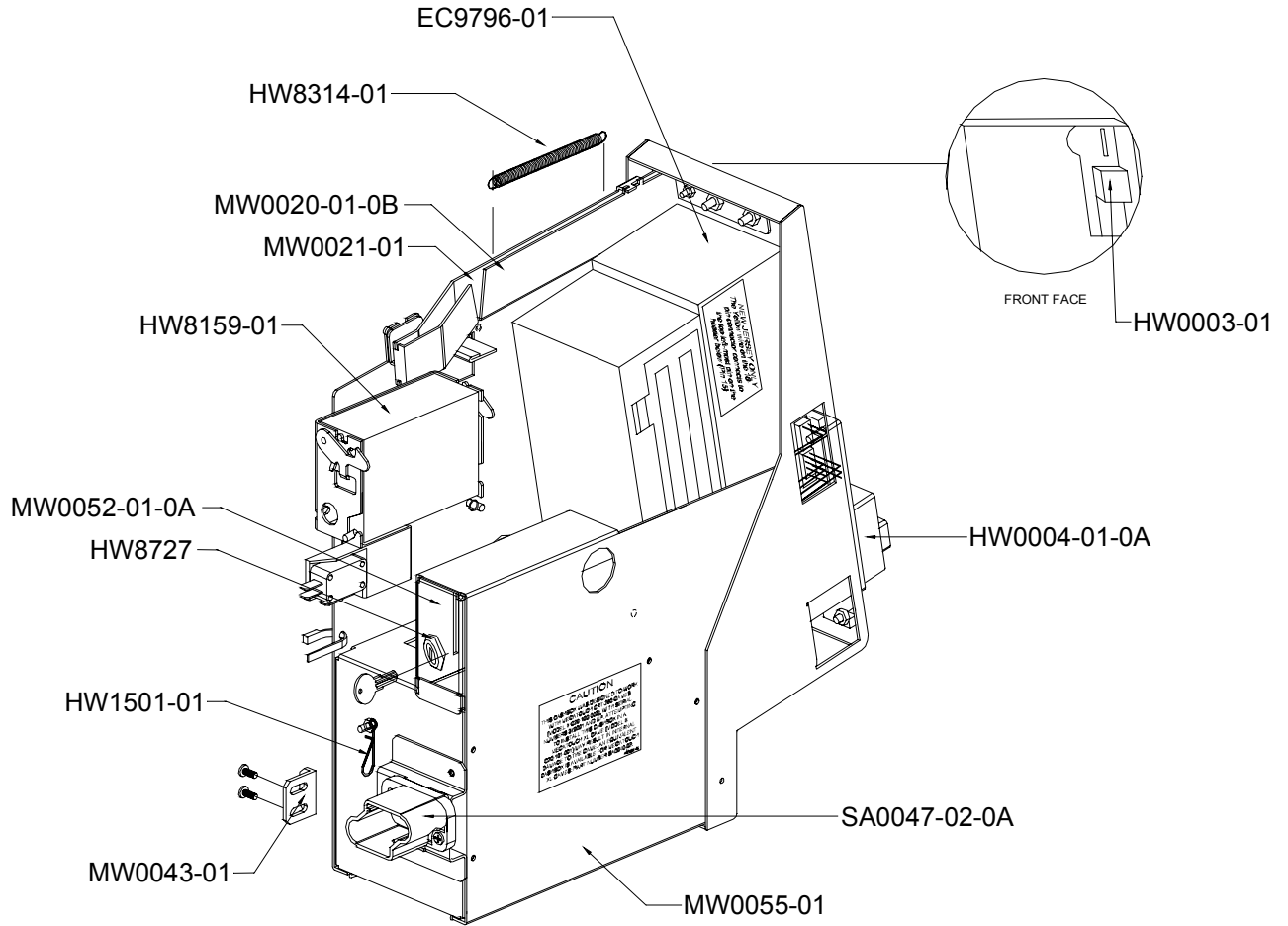


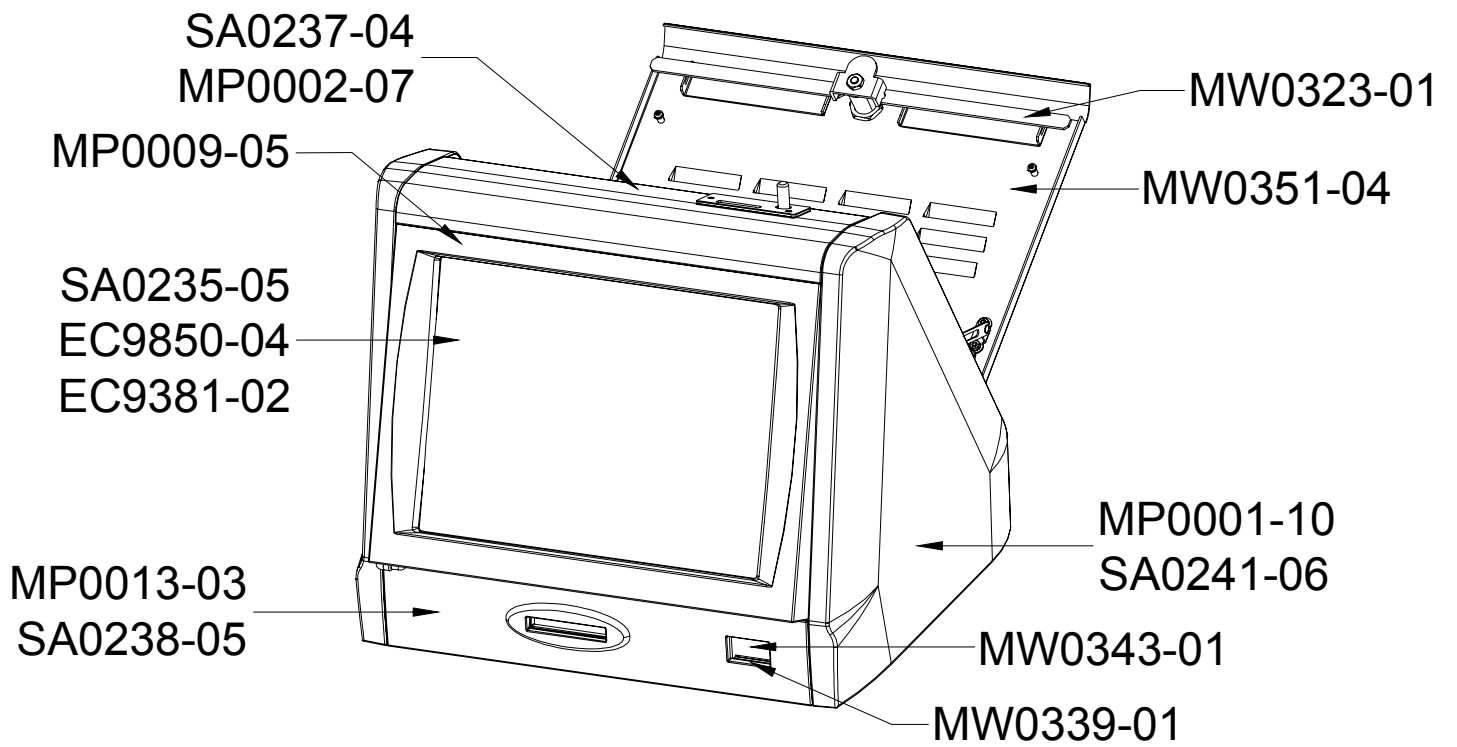
*If desired, order KUV-112-000-01 (Radion
Coinbox Upgrade Kit) for an oversized coinbox.

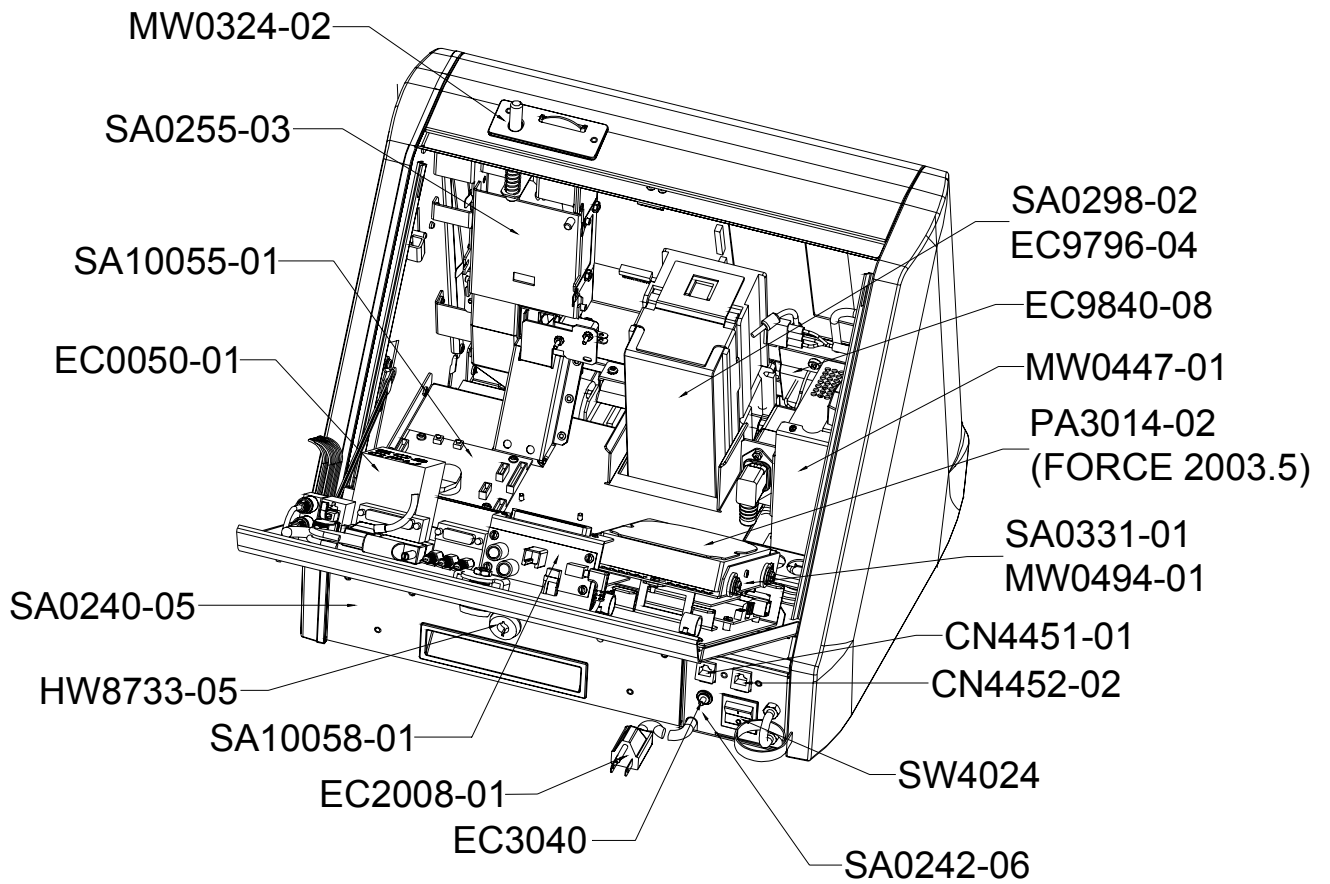


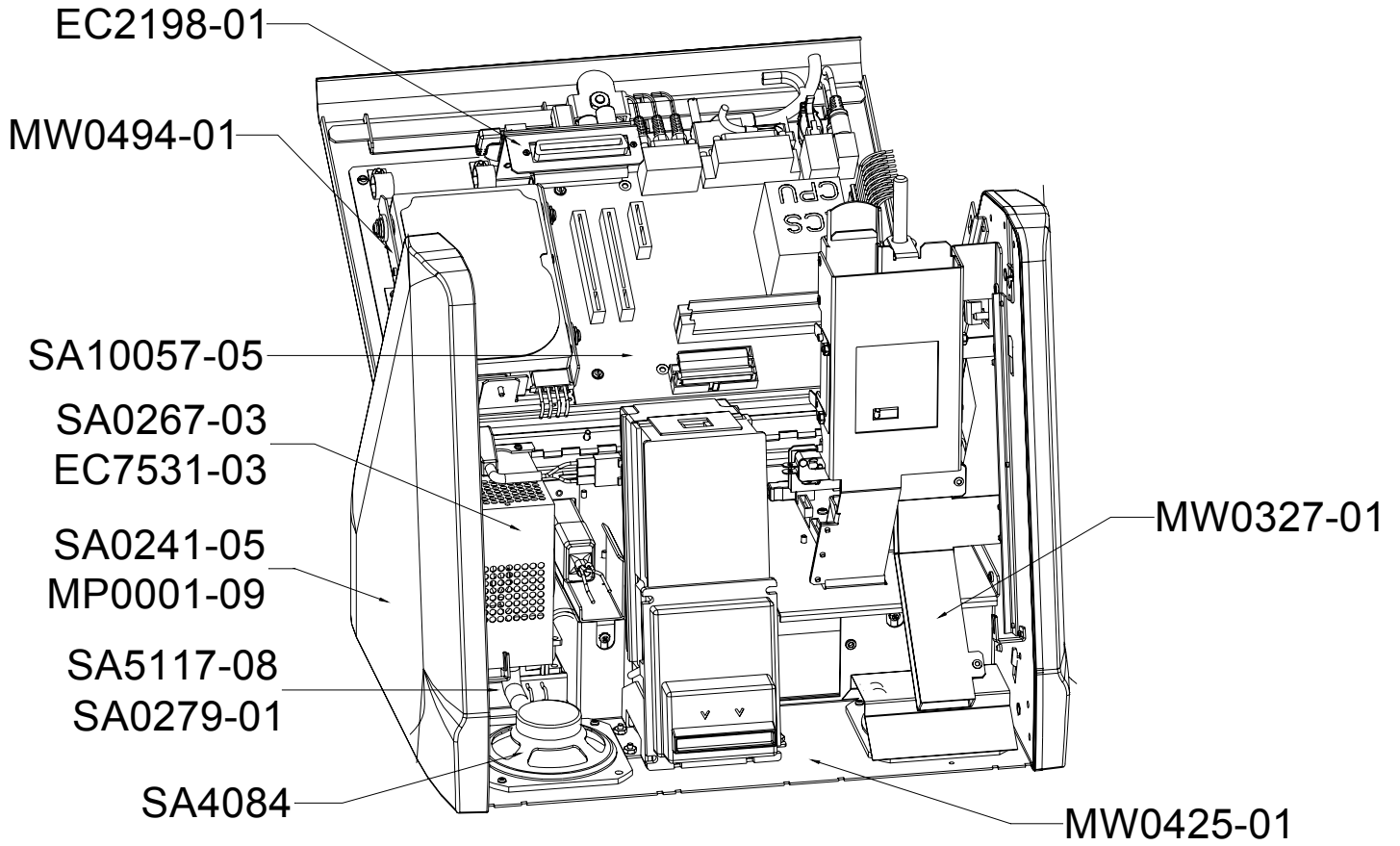




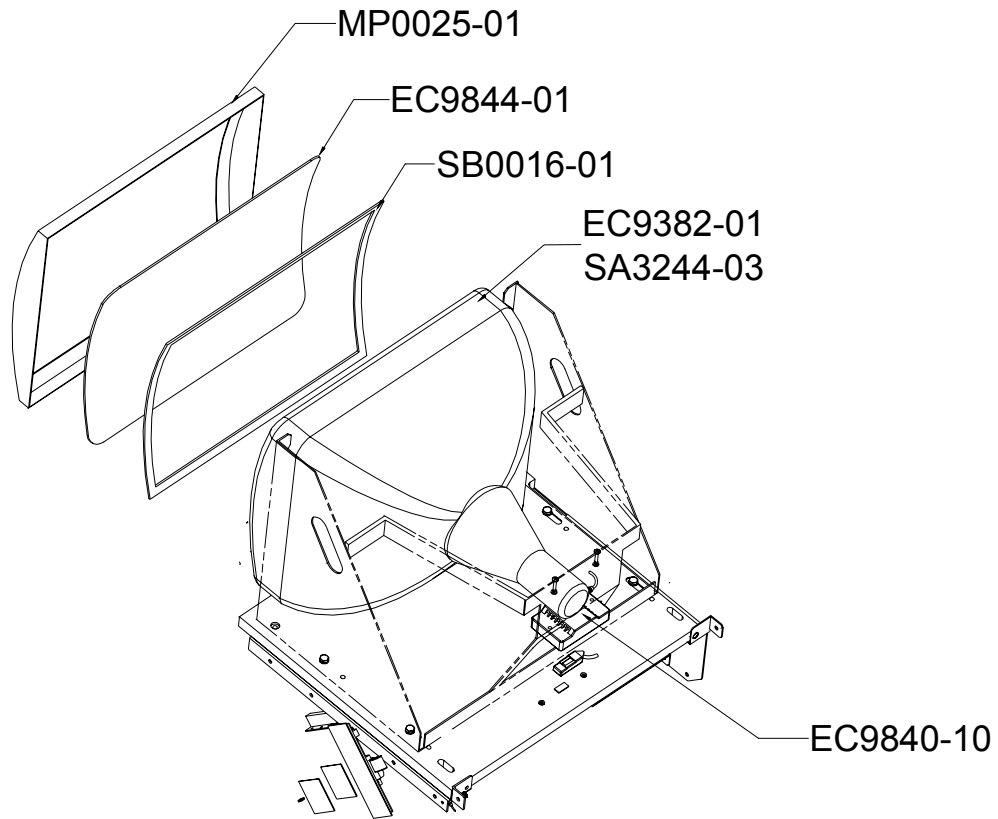
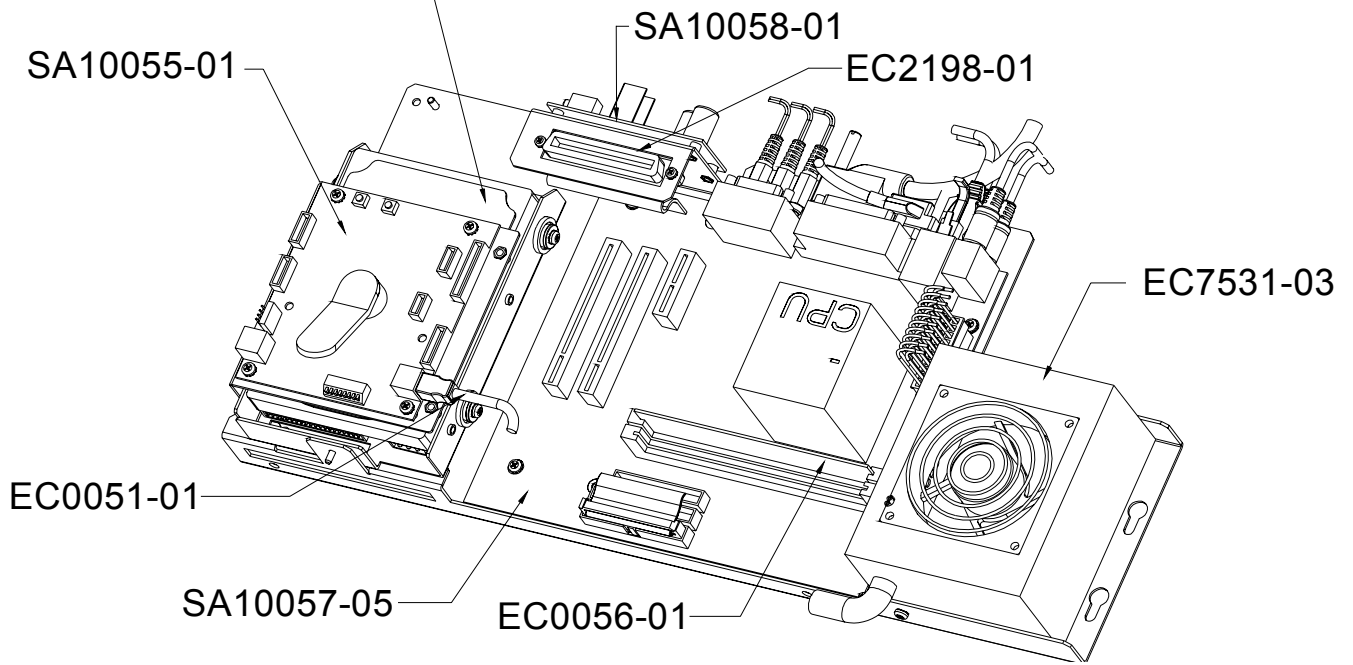


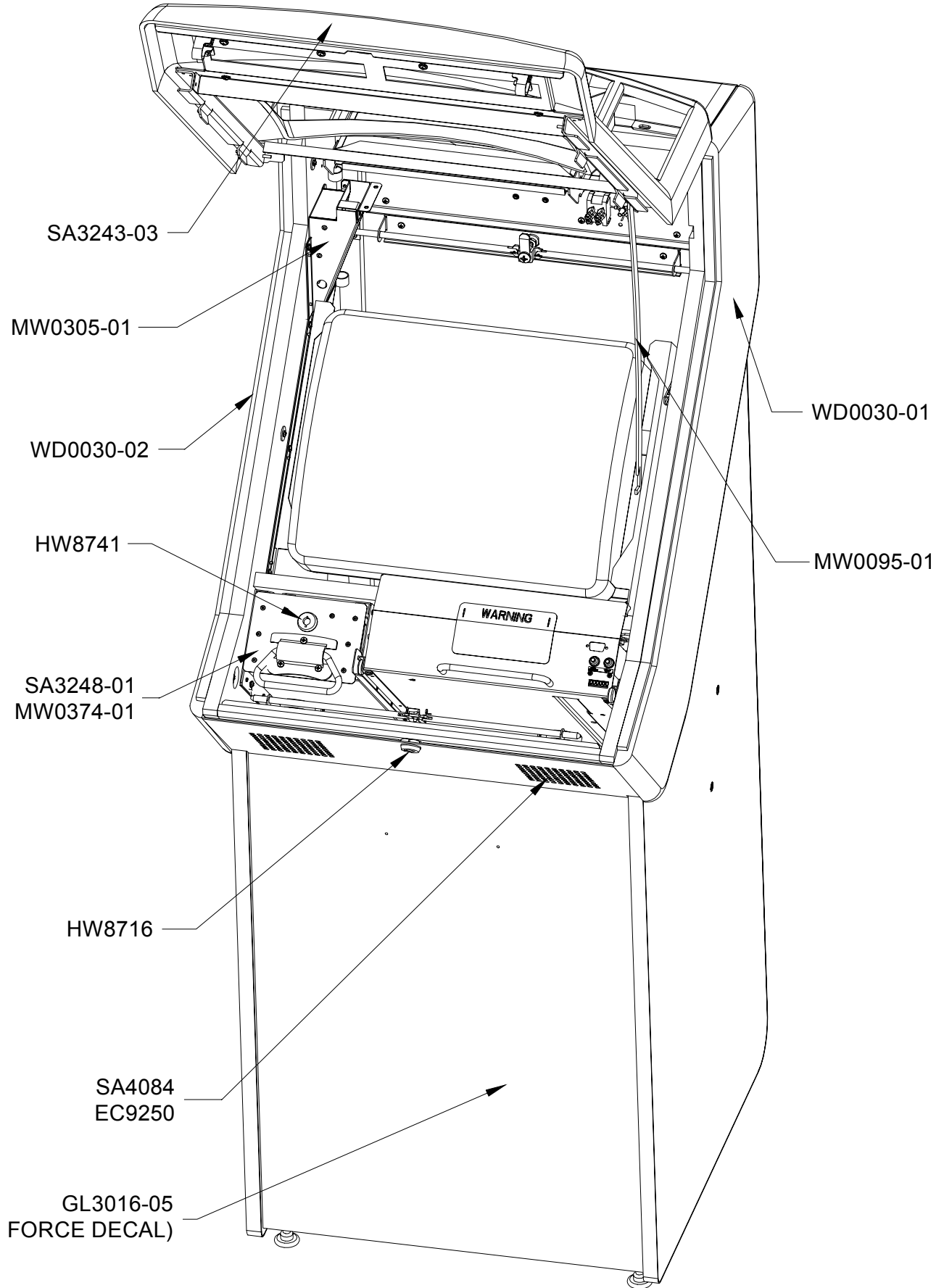


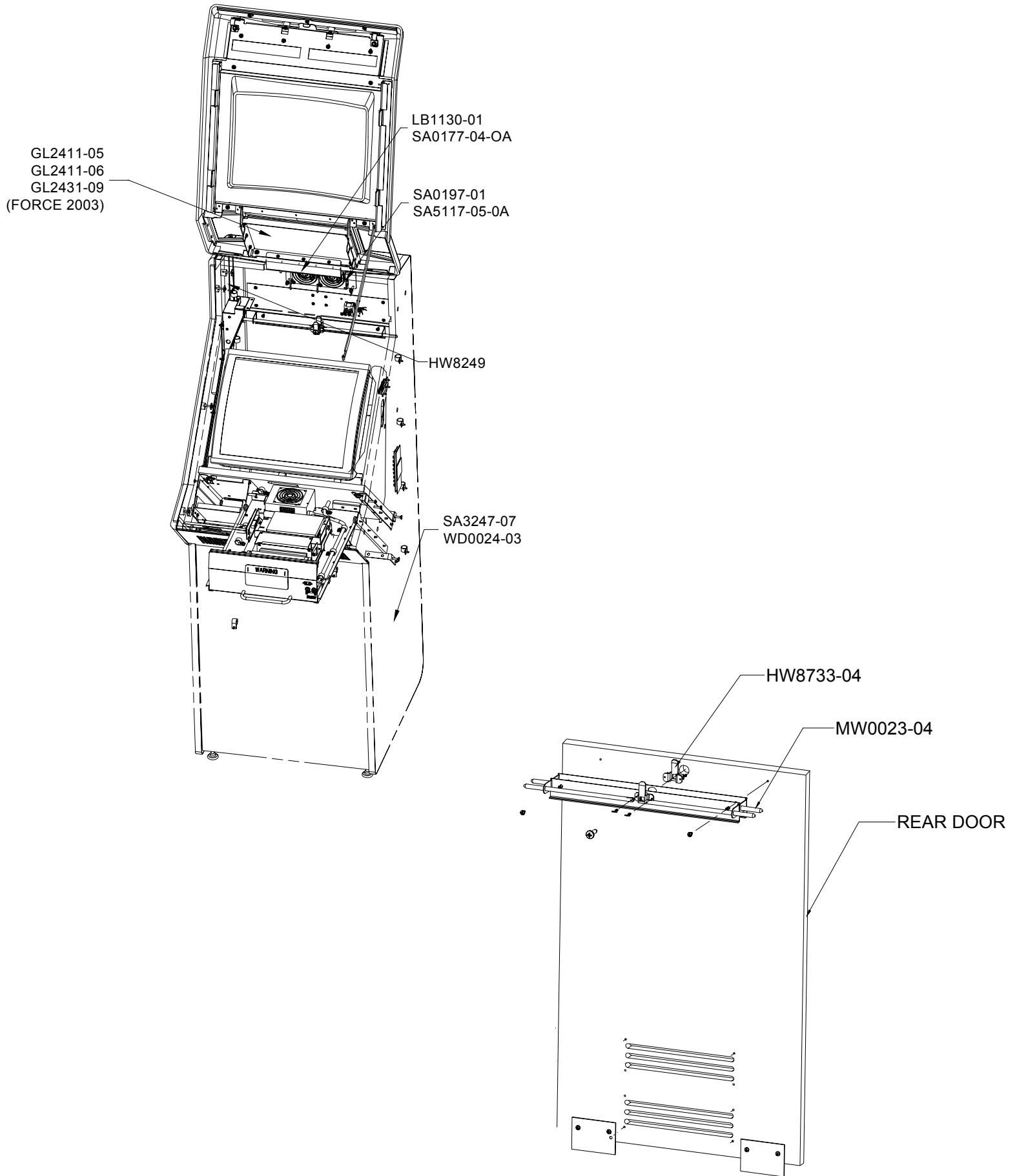


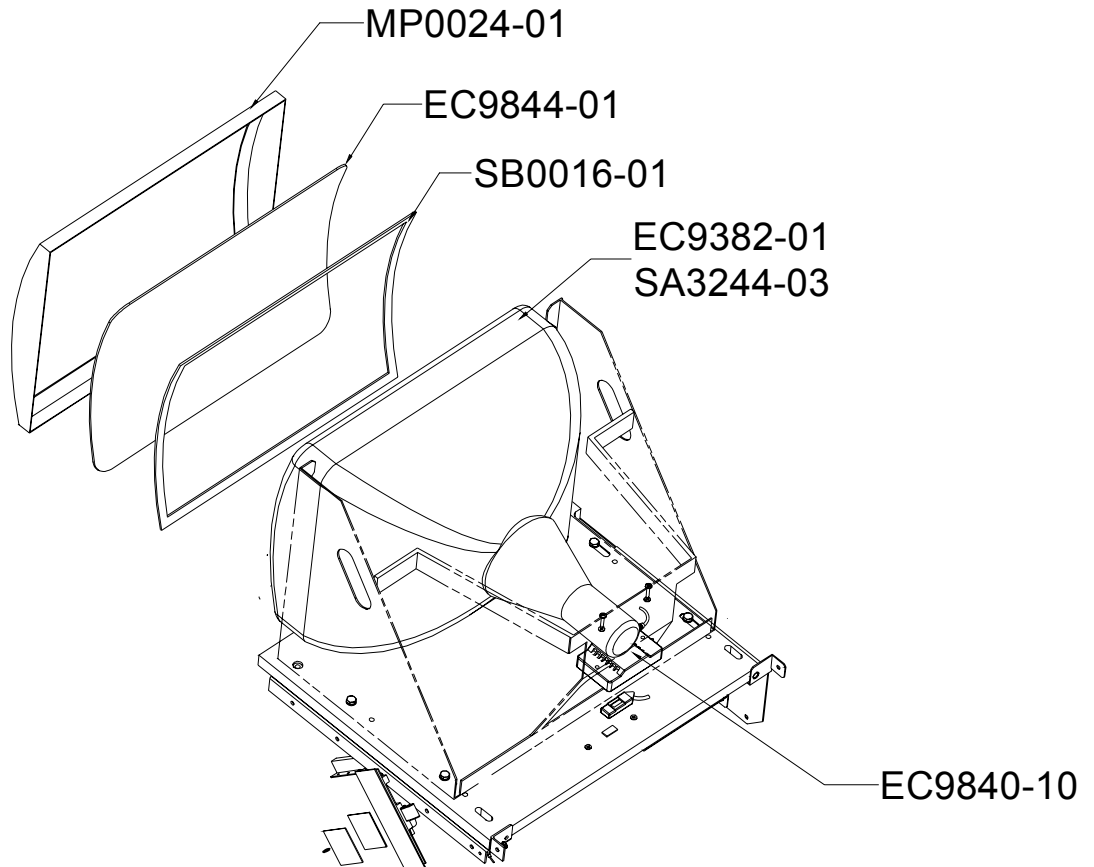
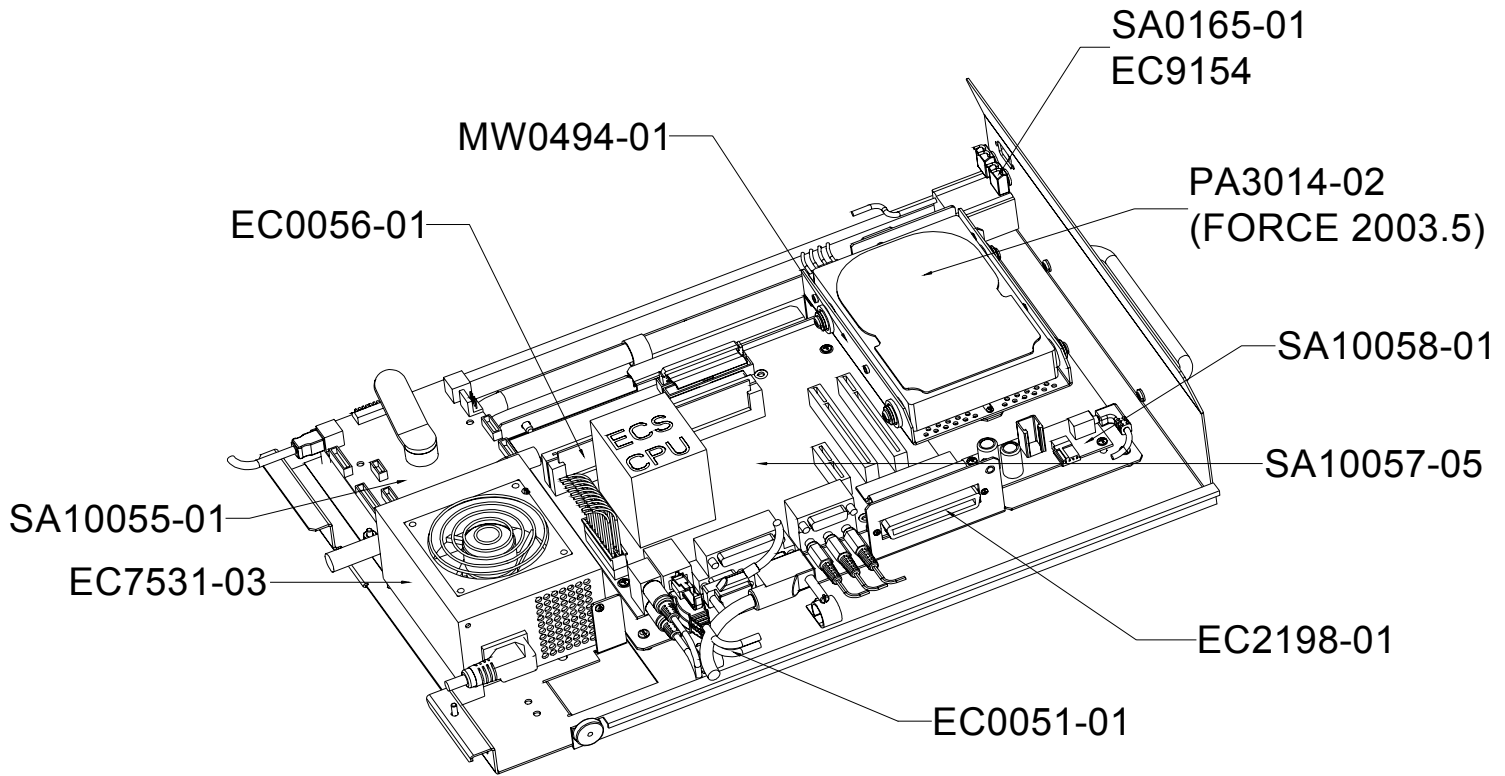


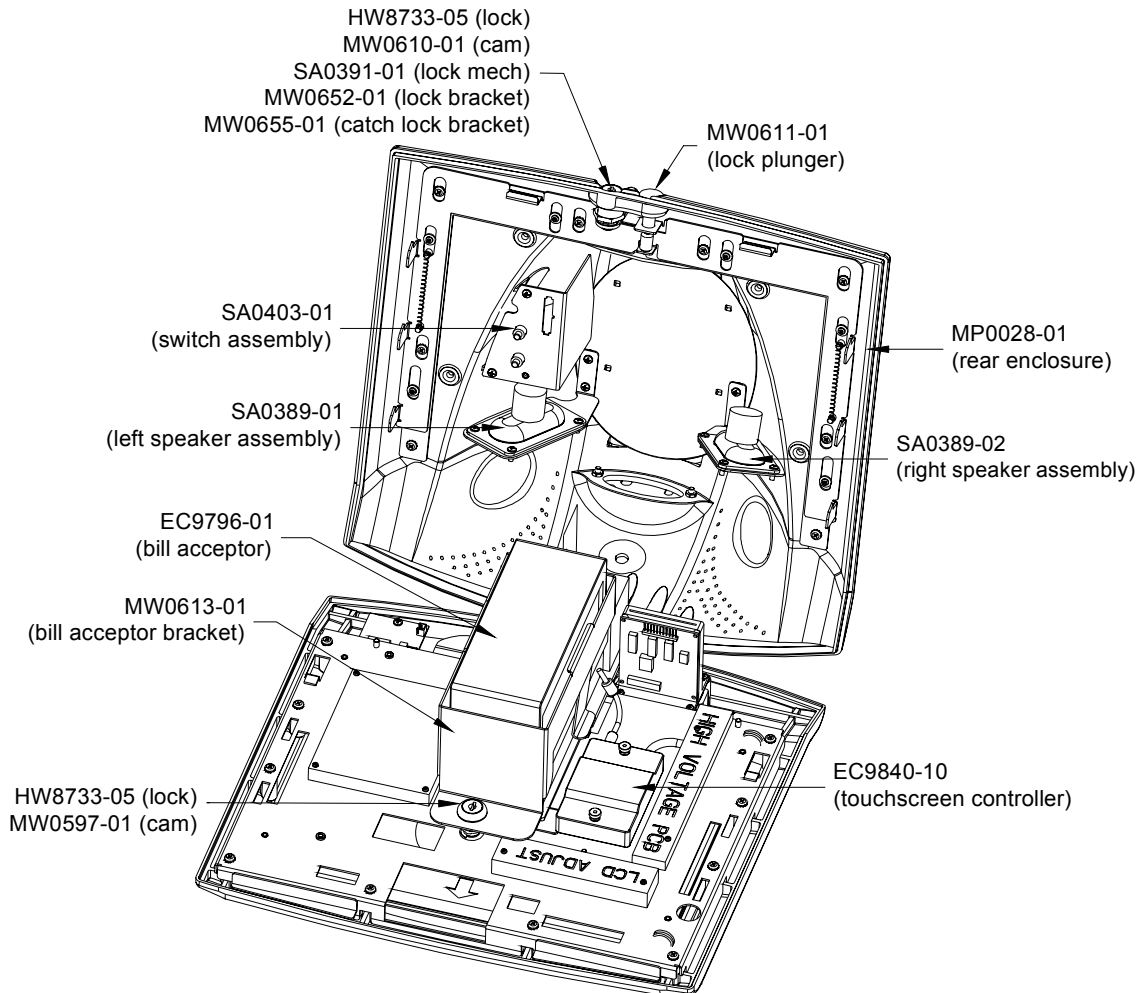
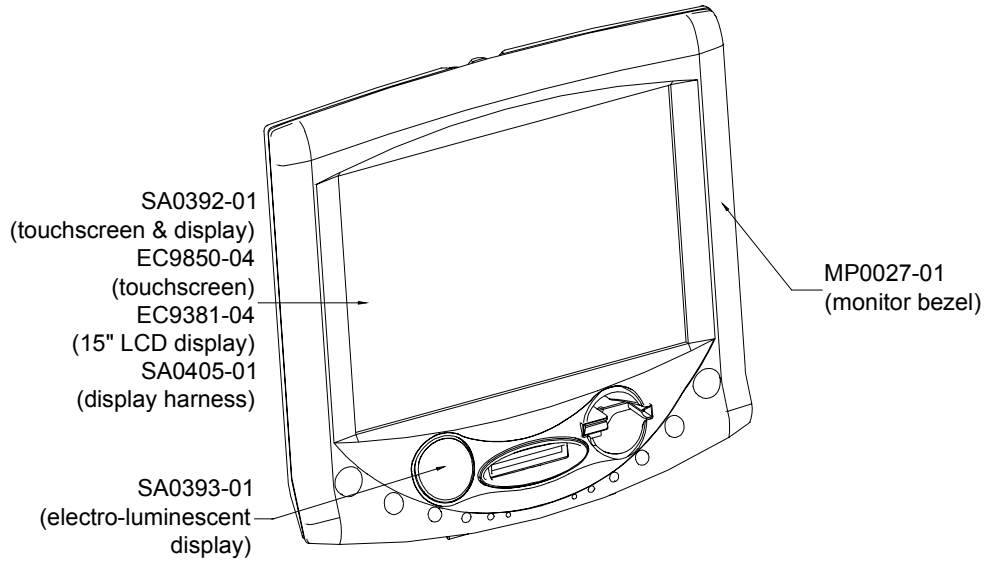
PA3014-02 (FORCE 2003.5)

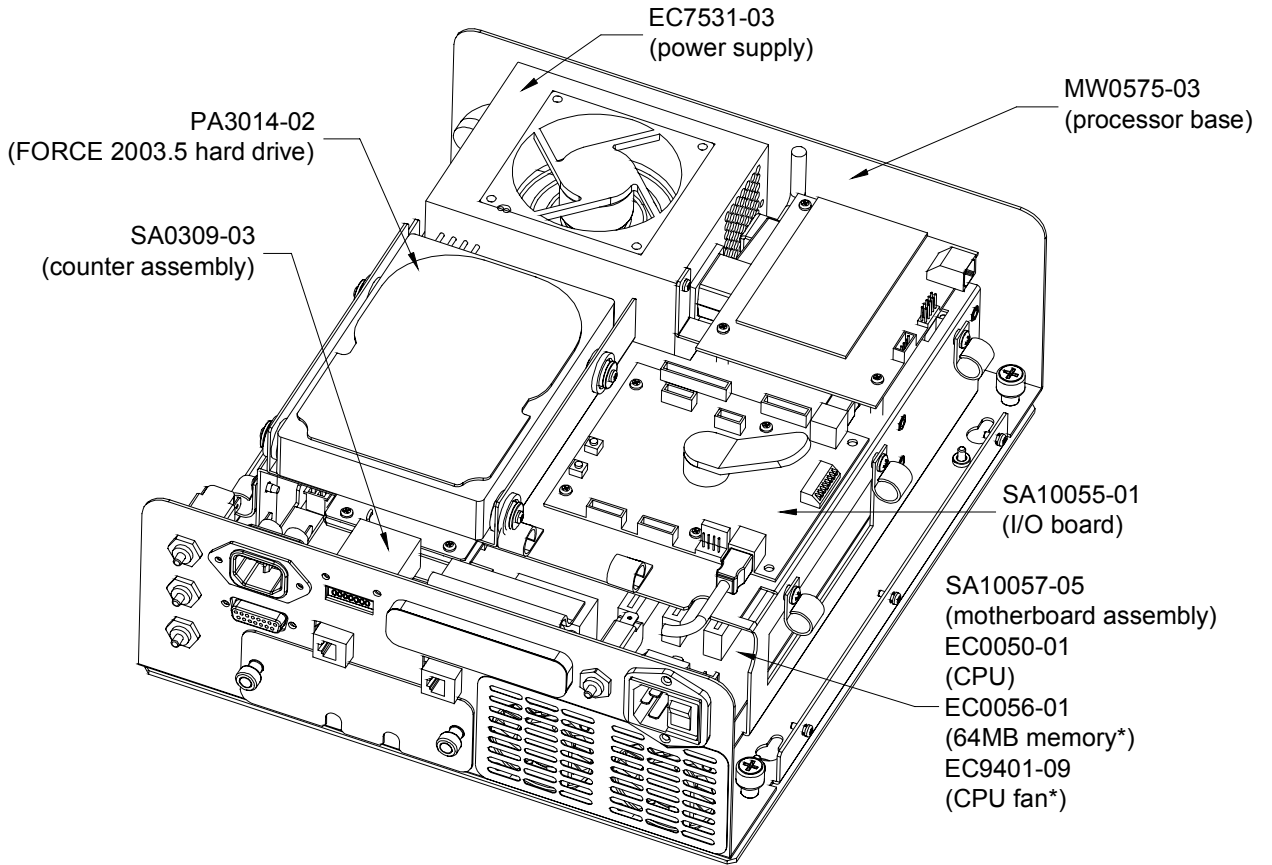




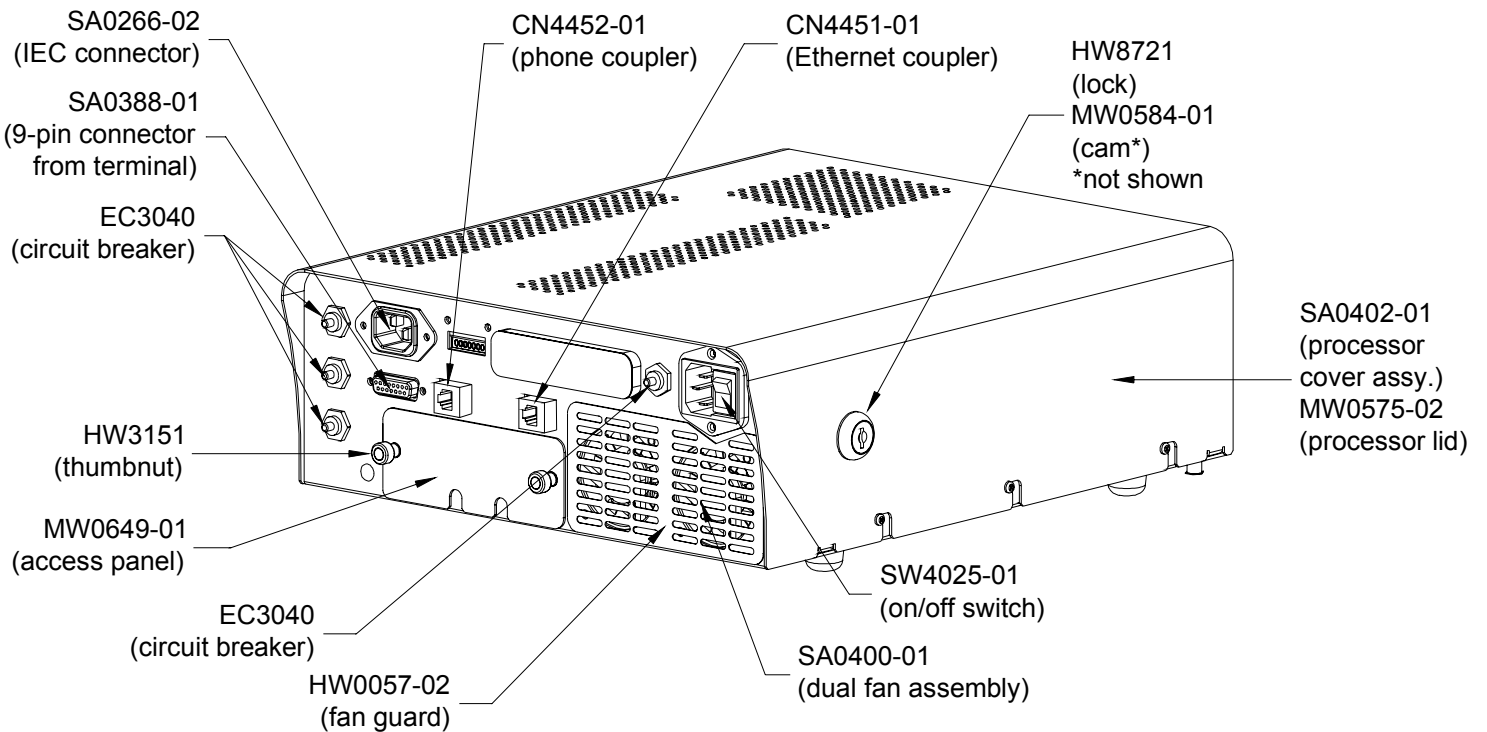


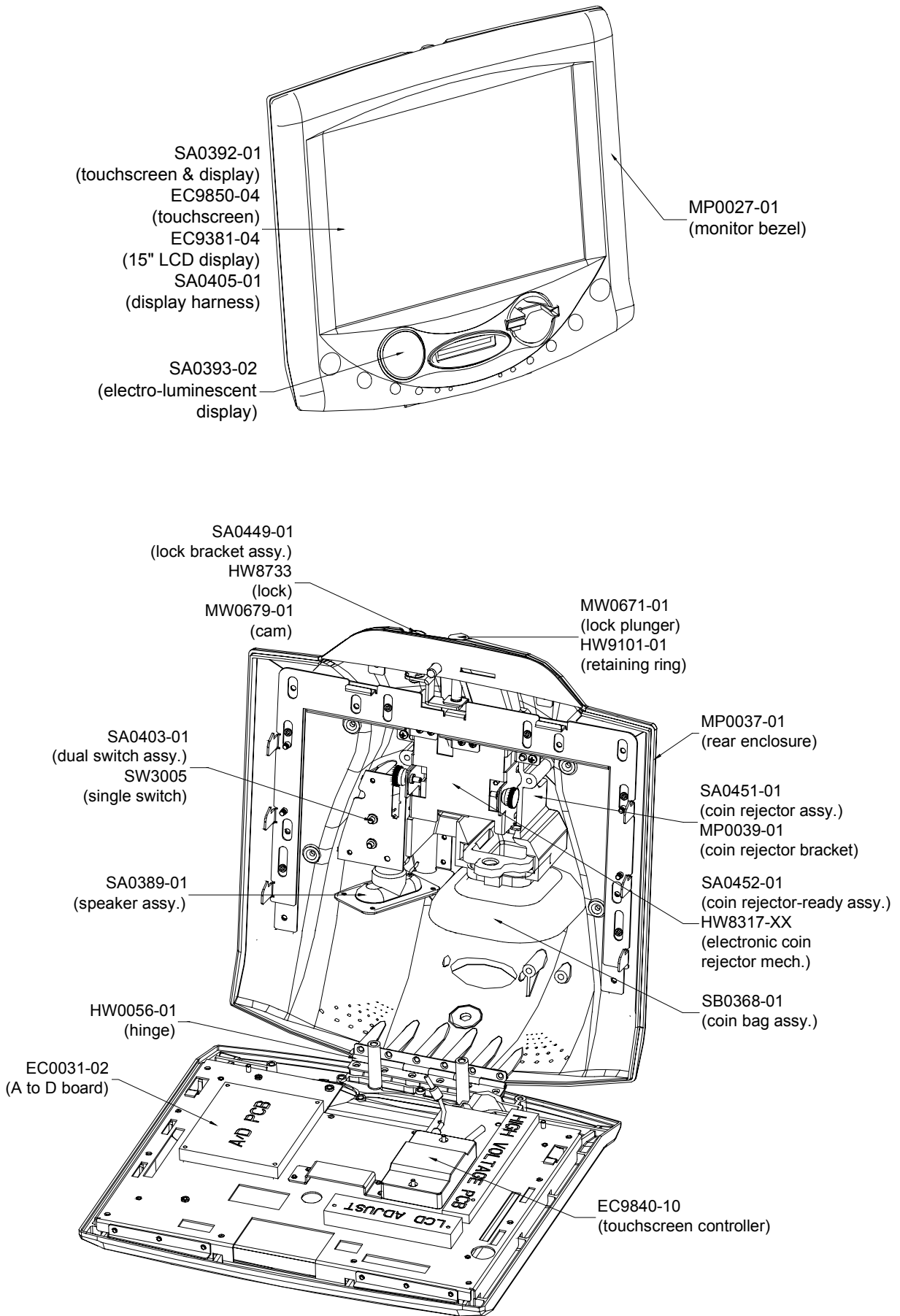


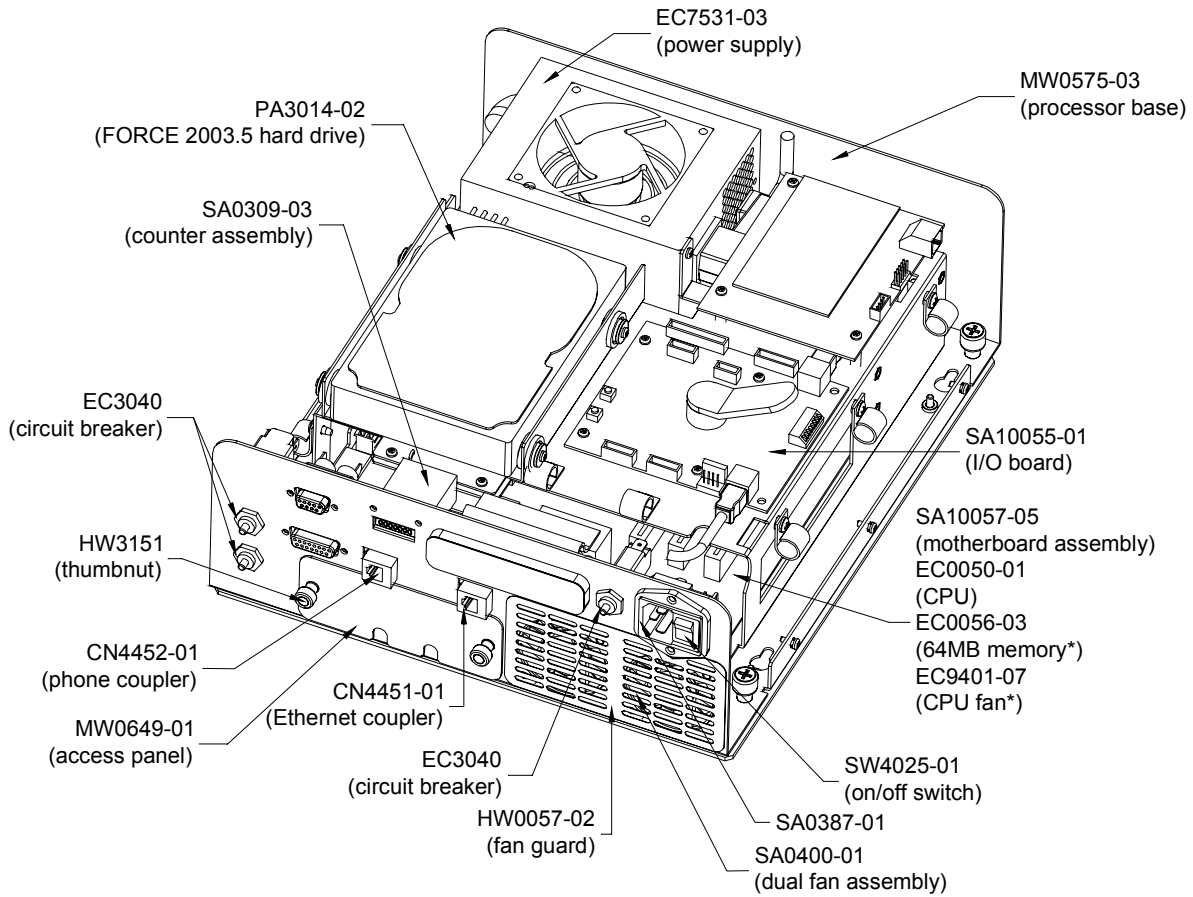




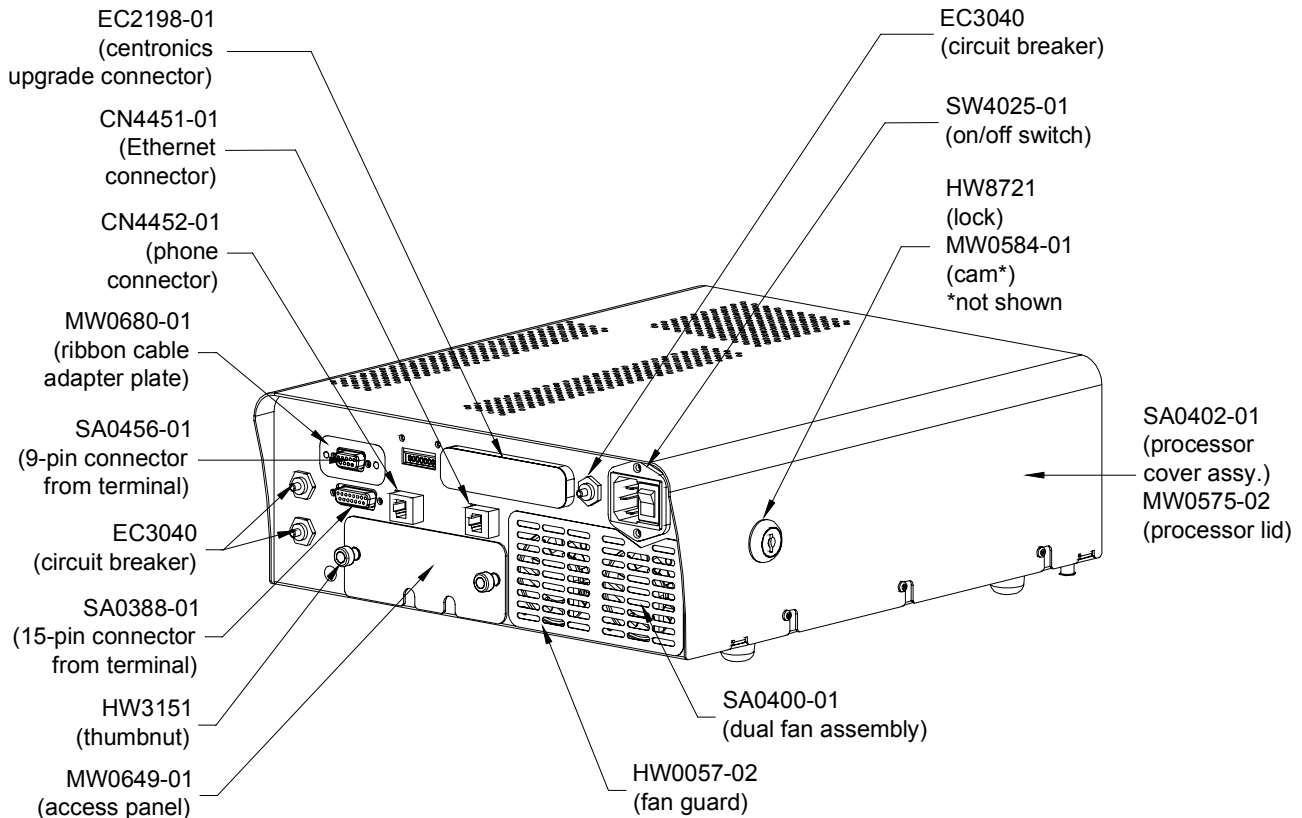
*not shown

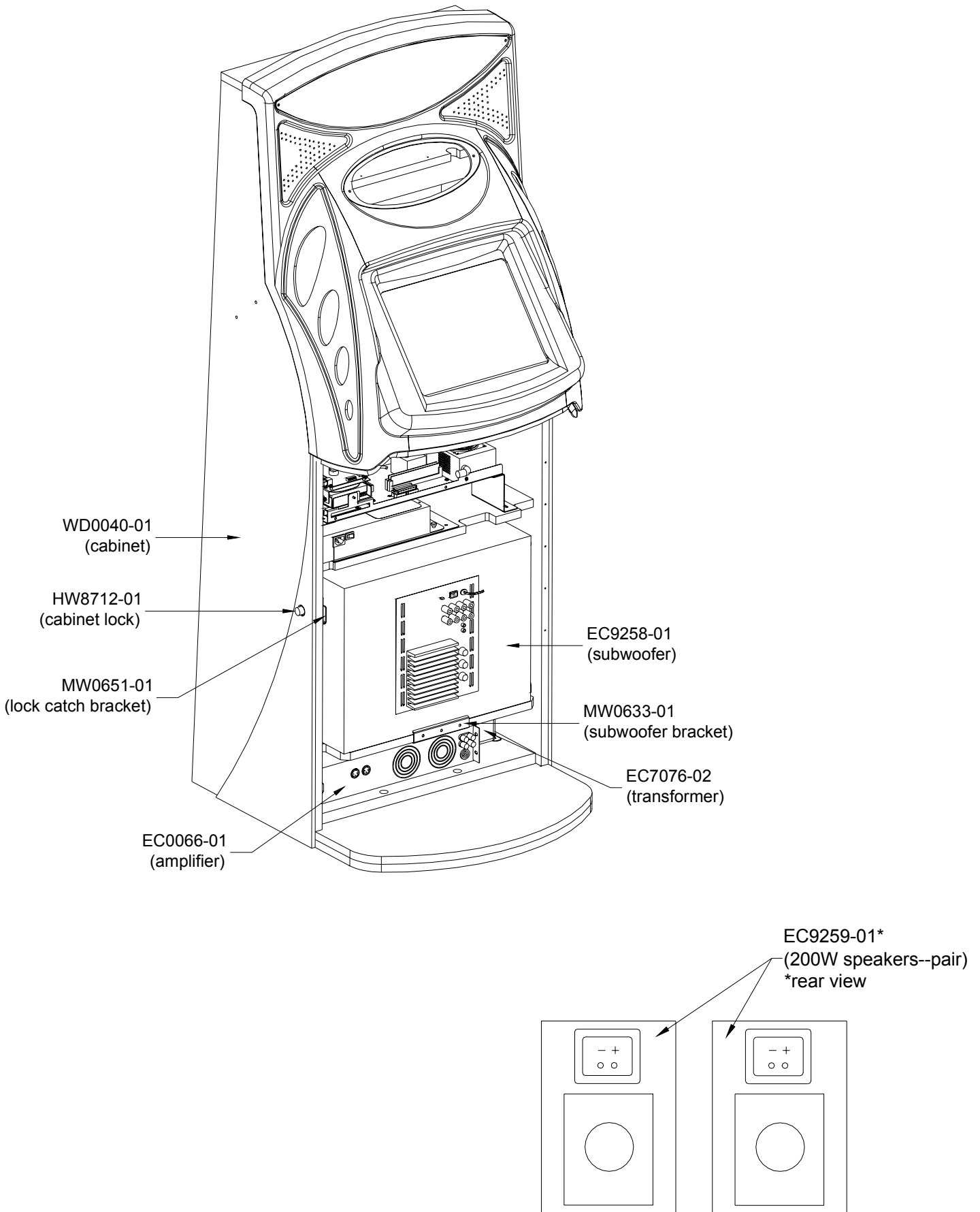


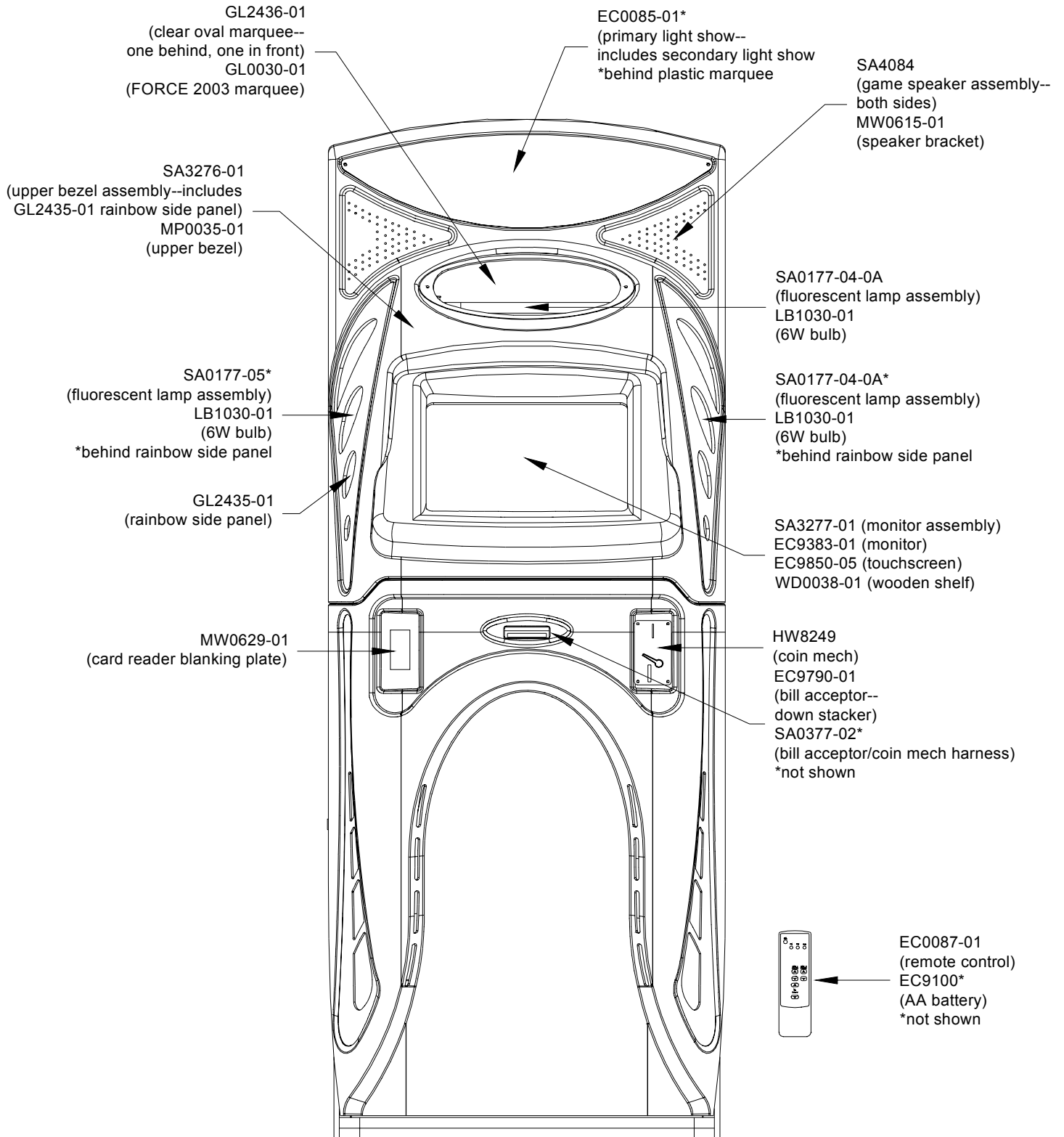


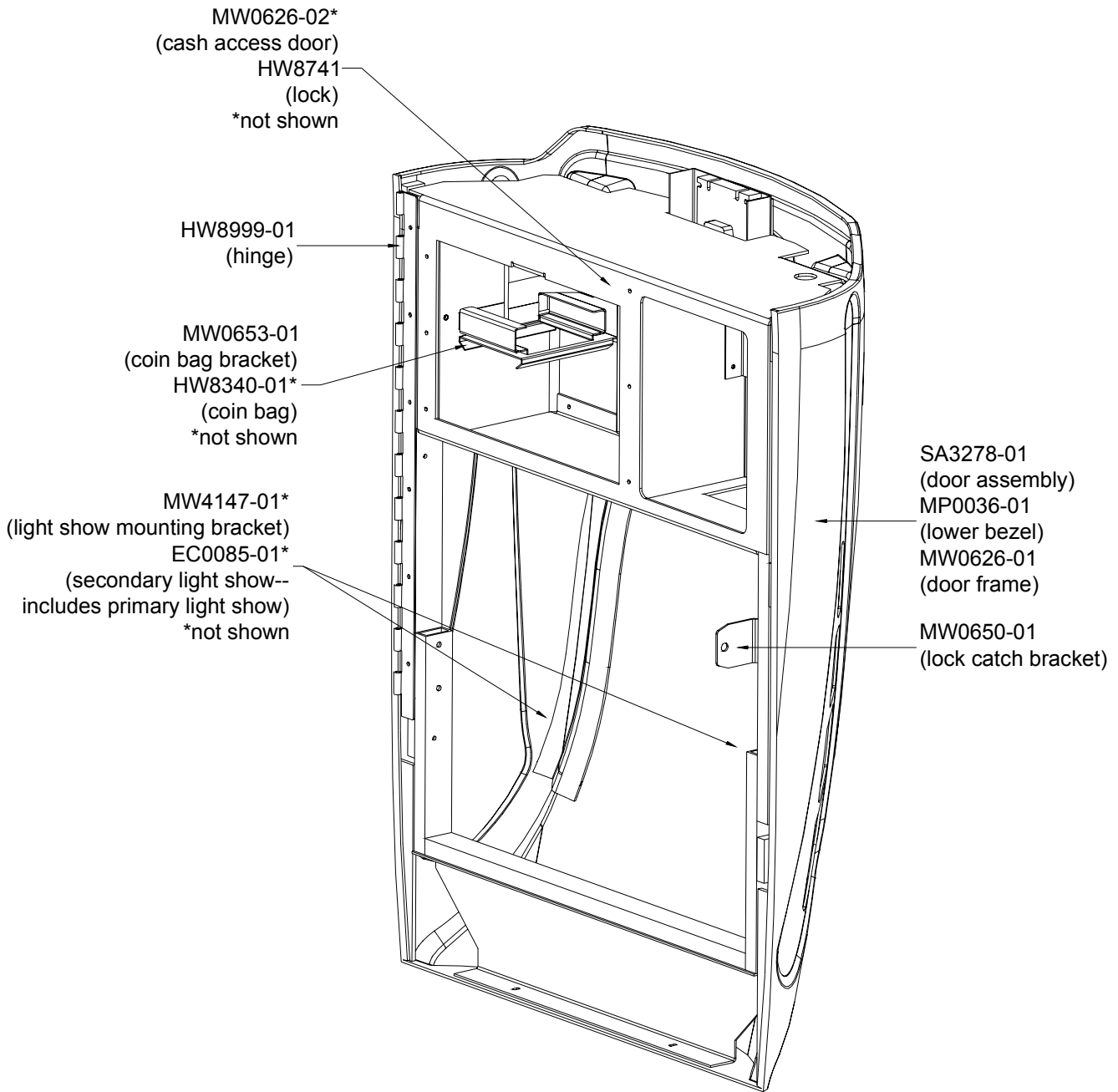


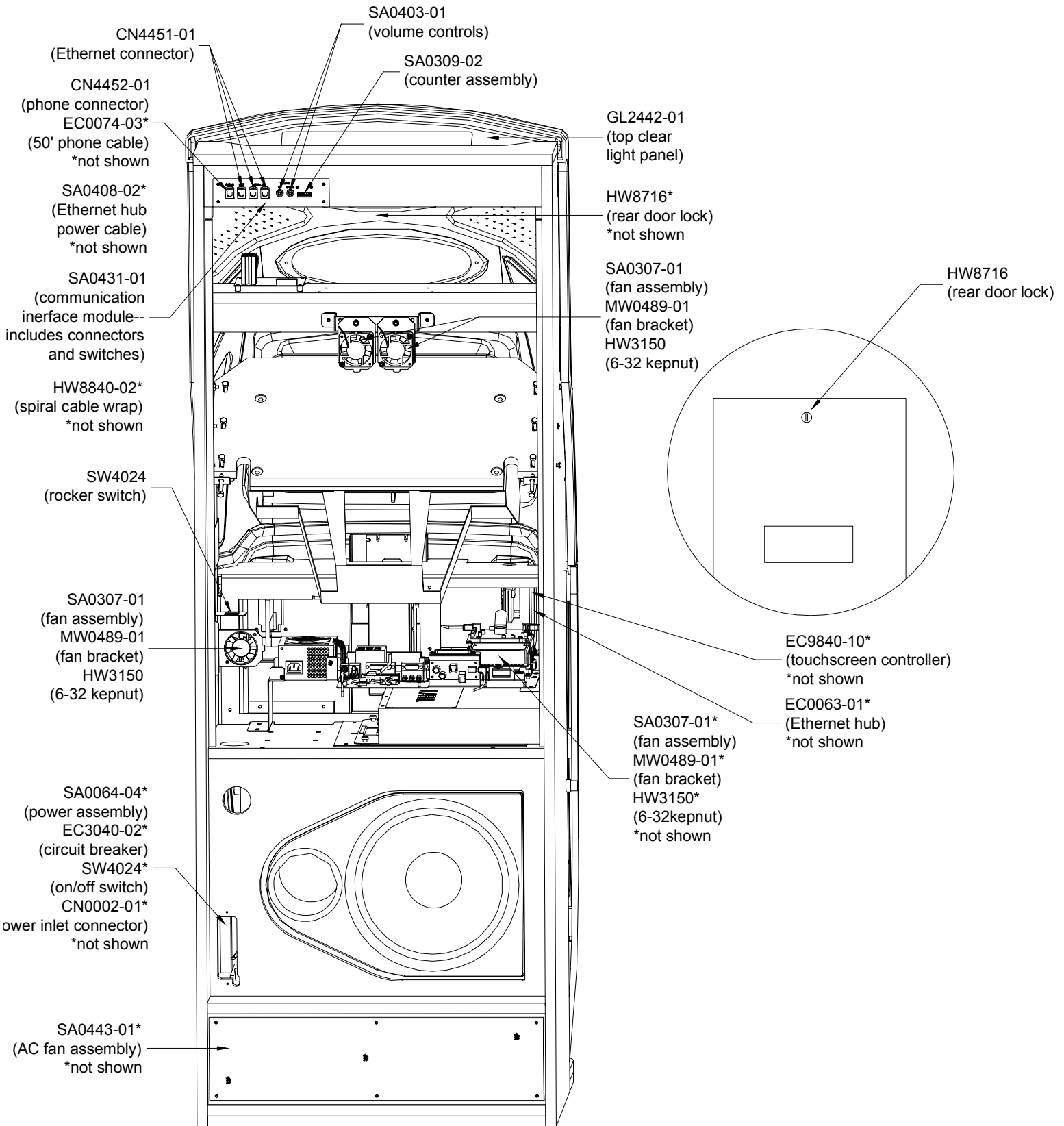
*not shown

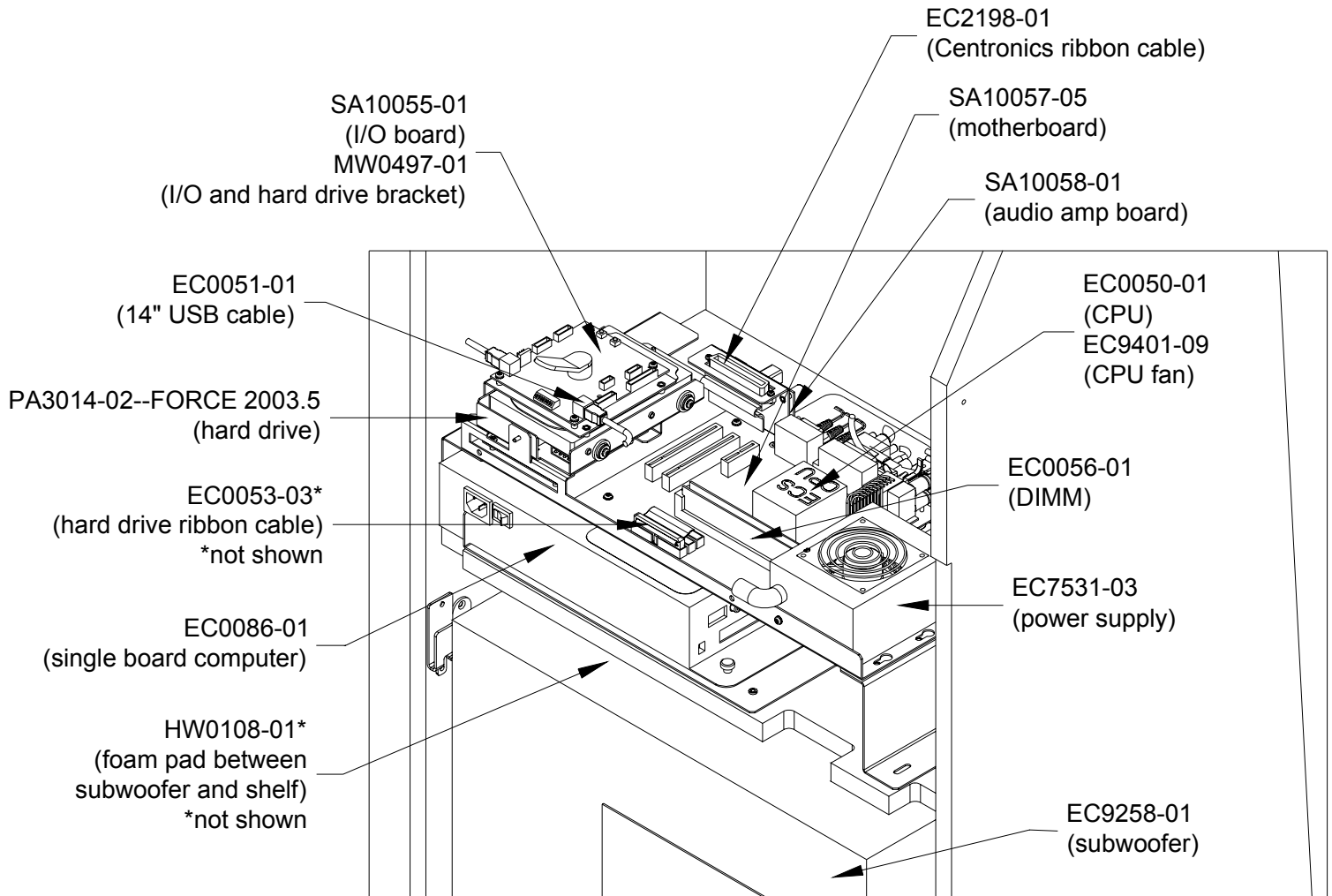


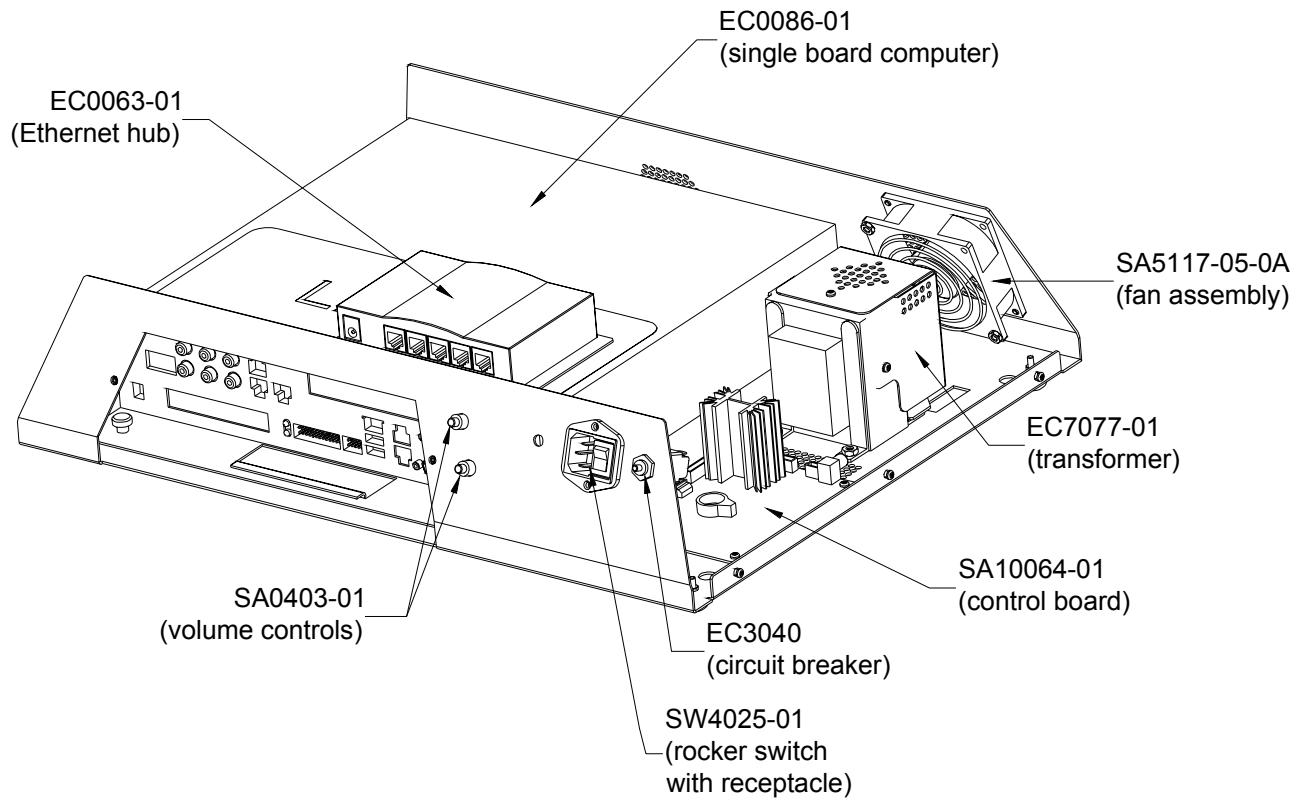


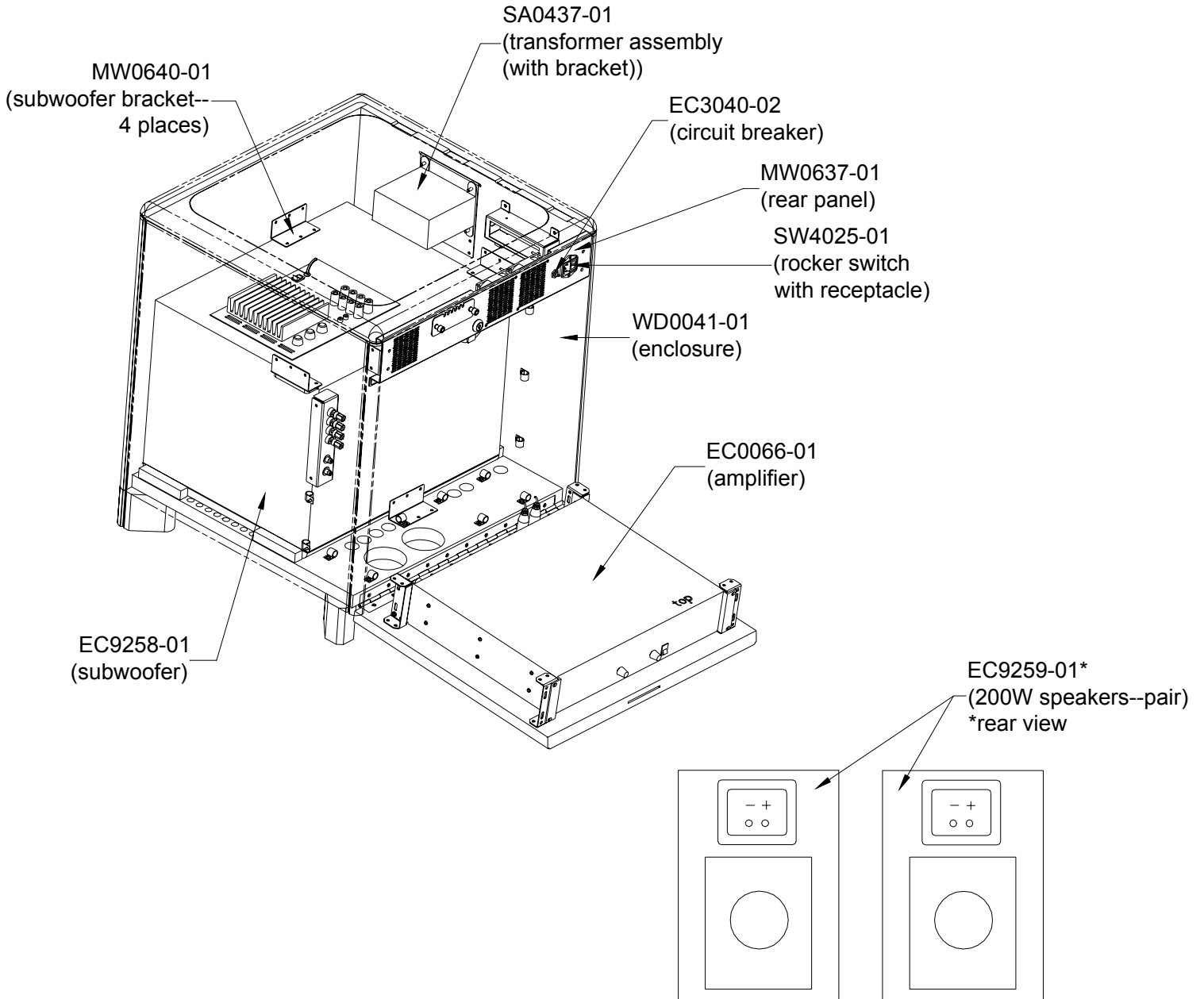












FORCE PARTS LIST

Item	Description	Sales Price
CN0029-01	RIGHT ANGLE MALE XLR CONNECTOR	\$2.60
CN0031-01	RCA PANEL MOUNTING JACK	\$2.60
CN0032-01	RCA PHONO PLUG	\$2.60
CN4451-01	ETHERNET COUPLER, RJ45, 8-POSITION, R/A	\$8.10
CN4452-01	PHONE COUPLER, RJ11, 6-POSITION, R/A	\$9.60
CN4452-02	RJ11, COUPLER, 4-CONDUCTOR	\$5.90
CN4452-03	RJ11 MALE/FEMALE SPLITTER, 4-CONDUCTOR	\$7.15
CN7507	METRIMATE RECEPTACLE, 12 PIN	\$3.50
CN7508	METRIMATE PLUG, 12 PIN	\$3.70
EC0050-01	566MHz, CPU	\$126.55
EC0051-01	14", I/O USB CABLE	\$9.05
EC0051-02	I/O USB CABLE, 3'	\$9.05
EC0053-02	18" RIBBON CABLE, ATA100, 40P/80 CONDUCTOR	\$9.05
EC0053-03	17 5/8" RIBBON CABLE, ATA100, 40P/80 CONDUCTOR	\$9.05
EC0056-01	UNICORN/ITOX 64 MEG DIMM SDRAM	\$58.50
EC0057-01	STEREO CABLE, 3.5MM, R/A	\$2.70
EC0059-01	FRC SER MDM CAB	\$23.10
EC0063-01	5P, 10&100MPBS ETHERNET HUB	\$202.80
EC0066-01	250W AMPLIFIER	\$542.10
EC0070-01	1.8 METER VIDEO EXTENSION CABLE	\$29.30
EC0072-02	CAT 5 LINE/PATCH CORD, 2', UTP	\$9.35
EC0072-04	LINE/PATCH CORD, 5', UTP, CAT 5	\$16.45
EC0072-06	50',UTP,CAT 5 LINE/PATCH CORD	\$16.35
EC0072-07	16.5",UTP,CAT 5 LINE/PATCH CD	\$2.20
EC0074-03	50' RJ11 PHONE CABLE	\$17.15
EC0080-01	ELECTRO-LUMINESCENT LAMP, VIBE	\$28.15
EC0081-01	2000MM STEREO PCH CAB	\$6.85
EC0082-01	10'L,VID CAB	\$17.55
EC0085-01	PRIMARY & SECONDARY TOUCHTUNES LIGHT SHOW	\$655.20
EC0086-01	TOUCHTUNES SINGLE BOARD COMPUTER (NO DISCOUNT)	\$2,500.00
EC0087-01	JUKEBOX REMOTE CONTROL TRANSMITTER, JUKEBOX	\$46.80
EC0088-01	JUKEBOX REMOTE CONTROL RECEIVER BOARD	\$27.30
EC2001	USA POWER CORD, DTCH IEC CONNECTOR	\$7.95
EC2004-02	UK POWER CORD, 2MTR, W/ DTCH IEC CONNECTOR	\$11.45
EC2008-01	USA POWER CORD, W/ DTCH R/A IEC CONN	\$6.80
EC2014-01	5-POS,OUT,IEC PANEL MOUNTING CONNECTOR	\$31.20
EC2015-02	INTERNATIONAL POWER CORD, 9" R/A, F, IEC, DRS, R	\$5.65
EC2015-03	INTERNATIONAL POWER CORD, 6", R/A, F, IEC, DRS R	\$5.65
EC2015-05	INTERNATIONAL POWER CORD, 12", R/A, F, IEC, DRS R	\$5.65
EC2018-01	SJT,USA,R/A IEC POWER CORD	\$6.80
EC2019-01	16AWG,US/IEC,SJT, POWER CORD	\$7.95
EC2198-01	CENTRONIC RCPT-IDE-POWER, 12"	\$33.70
EC2198-05	CENTRONIC RCPT-IDE-POWER, 4.50"	\$33.70
EC3040	2A CIRCUIT BREAKER	\$13.45
EC3040-02	6A,PANEL MOUNTING,CB	\$13.45
EC6103	STARTER - 8W	\$2.60
EC6109	FLUORESCENT LAMP STARTER, 220-240V	\$2.75
EC6111	STARTER SOCKET W/ CLIPS	\$0.95
EC6112-01	LAMP SOCKET FOR F6T5	\$2.30
EC6914-03	SOLID FERRITE CORE FOR .735OD X .400ID BB CABLE	\$0.05
EC7016-01	BALLAST, 120V/60HZ, 6W	\$12.10

FORCE PARTS LIST

Item	Description	Sales Price
EC7016-02	BALLAST, 220V/50HZ, 6W	\$16.95
EC7076-02	STM, 500VAC, ISOLATION TRANSFORMER	\$330.30
EC7076-03	650VAC, ISOLATION TRANSFORMER	\$300.30
EC7077-01	130VAC, ISOLATION TRANSFORMER	\$79.85
EC7531-03	POWER SUPPLY, 110W ±12, +5, +3.3, AC-ON	\$81.90
EC9100	AA ALK BATTERY	\$2.15
EC9154	FROG EYE COUNTER, 12V	\$12.30
EC9154-03	FROG EYE COUNTER, 12V, HMI, STG@0	\$10.35
EC9236	RING LUG #6 STUD INSL. 10-12	\$0.35
EC9250	8 OHM SPEAKER, 4"	\$5.85
EC9257-01	SHLD,50MMx90MM RECT,8-OHM S	\$5.65
EC9258-01	12" SUBWOOFER	\$647.40
EC9259-01	200W SPEAKER, PR	\$668.50
EC9304-01	LINE FILTER, 6A, RFI, IEC & FASTON	\$11.30
EC9377-08	13" VGA CRT MONITOR, R/A CONN MOUNTING	\$542.50
EC9381-02	LCD DISPLAY, 15", XGA, R/A CONN MOUNTING (NO DISCOUNT)	\$599.00
EC9381-04	15" LCD DISPLAY, XGA (NO DISCOUNT)	\$599.00
EC9382-01	19" VGA DIGITAL MONITOR	\$819.00
EC9382-01-01	19" VGA DIGITAL MONITOR CHASSIS	\$331.50
EC9383-01	FS,19"VGA MONITOR	\$936.00
EC9387-01	15" VGA MONITOR	\$596.70
EC9387-01-01	15" VGA MONITOR CHASSIS	\$253.50
EC9401-09	BBERG,RFI,SKT370,21CFM, CPU FAN	\$18.35
EC9402-03	CFM FAN, 3", 12V, 42.5	\$9.95
EC9403-01	10 CFM FAN, 50MM, 12V	\$13.10
EC9404-01	25 CFM FAN, 60MM, 12V	\$11.70
EC9411-02	3",22<25CFM, 110V, FAN, TUBAXIAL	\$22.80
EC9790-01	\$1/2/5, 500 DOWN BILL STACKER, AE2000, MARS	\$728.50
EC9796-01	\$1/2/5, 500 BILL STACKER, AE2411, MARS BILL ACCEPTOR	\$728.50
EC9796-04	MARS BILL ACCEPTOR, \$1/2/5, 300 STACKER, AE2000	\$728.50
EC9840-09	MICROTOUCH SMT4 TOUCHSCREEN CONTROLLER, 96"	\$173.55
EC9840-10	MICROTOUCH SMT4 TOUCHSCREEN CONTROLLER, 144"	\$177.45
EC9844-01	19" TOUCHSCREEN OVERLAY	\$565.50
EC9850-03	15" TOUCHSCREEN OVERLAY, CRVD	\$372.45
EC9850-04	15" TOUCHSCREEN OVERLAY, W/ 12" CABLE, W/O ESD	\$370.50
EC9850-05	FS, 19" TOUCHSCREEN OVERLAY	\$452.40
GL0016-01	SPEAKER COVER	\$1.95
GL0018-01	DOMED NAMEPLATE	\$4.80
GL0023-01	FORCE STICKER, DOME	\$4.68
GL0025-01	MERIT LOGO OVERLAY, VIBE	\$2.80
GL0030-01	FORCE 2003 MARQUEE, JUKEBOX	\$28.10
GL2411-05	CLEAR PLEXI, 12.27x 8.28	\$2.90
GL2411-06	CLEAR PLEXI, 12.32 x 8.32 x .177	\$5.65
GL2414-01	CLEAR MARQUEE HOLDER	\$12.70
GL2431-04	FORCE MARQUEE	\$28.10
GL2431-08	FORCE 2.5 MARQUEE, UPRIGHT W/O COIN DOOR	\$28.10
GL2431-09	FORCE 2003, MARQUEE, UPRIGHT W/O COIN DOOR	\$28.10
GL2432-01	FORCE 2.5 MARQUEE, UPRIGHT W/ COIN DOOR	\$28.10
GL2432-02	FORCE 2003 MARQUEE, UPRIGHT W/ COIN DOOR	\$28.10
GL2435-01	RAINBOW S/PANEL, JUKEBOX	\$30.80
GL2436-01	OVL,CLR MARQUEE, JUKEBOX	\$28.80

FORCE PARTS LIST

Item	Description	Sales Price
GL2442-01	TOP CLR LT PANEL, JUKEBOX	\$31.20
GL3016-04	FORCE 2003 DECAL, UPRIGHT	\$22.45
GL3016-05	FULL FORCE FRONT DECAL	\$29.85
GL3016-06	FORCE FRONT DECAL	\$22.45
GL3100-18	FORCE DECAL	\$9.36
GL3100-23	FORCE 2002.5 DECAL	\$9.90
GL3100-24	LEFT CLASSIC FORCE 2002.5 DECAL	\$8.50
GL3100-25	RIGHT CLASSIC FORCE 2002.5 DECAL	\$8.50
GL3100-35	FORCE 2003 CLASSIC, RADION DECAL	\$6.25
HW0003-01	BILL ACCEPTOR & COINBOX BUTTON	\$8.95
HW0004-01-0A	BILL ACCEPTOR & COINBOX BEZEL	\$10.15
HW0022-01-0A	MODIFIED BEZEL, MARS 2000 BILL ACCEPTOR	\$7.80
HW0031-01	BEZEL TRIM, REAR	\$2.75
HW0035-01	16L" DRAWER SLIDE	\$9.40
HW0037-01	MOUNTING BRACKET, 12GA STL, 3x3, .25D	\$1.85
HW0041-01	MAGNETIC TAPE, HD, W/PSA, 1"W x .06T	\$2.20
HW0056-01	HINGE, VIBE	\$19.35
HW0057-02	4-7/8x2-1/2,VHB PSA FAN GUARD, VIBE	\$6.20
HW0061-01	SPILL COVER, UPRIGHT W/ COIN DOOR	\$8.80
HW0100-01	15P,D-SUB MALE CONNECTOR COVER	\$2.25
HW0100-02	PROTECTIVE COVER, MALE CONNECTOR,9P,D-SUB	\$2.25
HW0103-01	FOAM PAD, SUBWOOFER BRACKET, SS, JUKEBOX	\$2.35
HW0104-01	FOAM PAD, SUBWOOFER, SS, JUKEBOX	\$2.15
HW0105-01	TRANSFORMER COVER, MEGATUNES	\$6.25
HW0106-01	FLUORESCENT LAMP COVER, JUKEBOX	\$10.75
HW0107-01	LCD ANLG<DGTL PCB CVR,X1a	\$1.80
HW0108-01	10" X 15" FOAM PAD, JUKEBOX	\$1.95
HW1310	U BOLT, 1/4-20x1-1/4	\$0.90
HW1330	HEX BOLT, 1/4-20 x 1-1/2	\$0.10
HW1501-01	COTTER PIN, M2 DIA x 14MM L	\$0.10
HW3070-03	4-40 HEXNUT	\$0.05
HW3151	NYLON THUMBNUIT, 6-32	\$0.20
HW4201	6-32x1/4L PAN/PHL SEMS SCREW	\$0.10
HW4201-07	6-32 x 5/16I PAN/PHL SEMS SCREW	\$0.20
HW4207	PAN/PHL MACHINE SCREW, 6-32x1/4, BLK	\$0.10
HW5554-02	3/64Tx5/32IDx9/16OD FLAT FENDER WASHER	\$1.00
HW5658-01	.31SDx.06Lx.25IDx.44OD SHW,FBR	\$0.10
HW6051-01	SPACER, .168ID x .25OD x .08L	\$0.60
HW8018-02	ANTI-SKID PAD, 11.5D, W/6.0 C/O	\$6.60
HW8031-01	COIN ENTRY GASKET	\$0.90
HW8059-01	FRONT & REAR BEZEL GASKET, FM, W/PSA, RADION	\$2.15
HW8062-01	REAR DOOR GASKET, FM, W/PSA	\$1.17
HW8066-01	.38Wx.06T, POLYETHYLENE FOAM TAPE,BLK,BS	\$0.20
HW8067	.50Wx.03T, POLYETHYLENE FOAM TAPE,BLK,BS	\$0.25
HW8067-02	FOAM TAPE, 1/2W x 1/8T, BLK, PSA BS	\$0.15
HW8120-02	BUTTON HEAD RIVET, .19-.25GR x.12DIA, ALU	\$0.10
HW8159-01	\$.25 MECHANICAL COIN REJECTOR, IMONEX 950	\$22.25
HW8159-02	BACK CHAN, MECHANICAL COIN REJECTOR, IMONEX C4	\$24.20
HW8171-01	PCB GUIDE, SNPN, DP CHAN, 8"L	\$1.15
HW8249	MECHANICAL COIN REJECTOR,.25, SK, RD, FR PL	\$72.15
HW8312-02	SPRING, COMPRESSION, SST, .48OD x 1.50L	\$1.00

FORCE PARTS LIST

Item	Description	Sales Price
HW8312-03	SPRING, .42OD x 1.25L, COMPRESSION	\$0.40
HW8313-01	1/4ODx1-3/4L STAINLESS STEEL EXTENSION SPRING	\$1.00
HW8314-01	SPRING, EXT, SST, .24OD X3.50L	\$1.00
HW8314-02	SPRING, EXT, .19OD x .63L	\$1.00
HW8317-00	UNPROGRAMMED & PROGRAMMABLE MARS COIN REJ.	\$360.75
HW8319-04	UK ELECTRONIC COIN REJECTOR, 10/20/50P & 1/2£, G13, 330	\$380.25
HW8327-01	EXT SPRING, 3/16OD X 1" L	\$1.00
HW8334-01	.19ODx4.13L,OPEN-END EXTENSION SPRING	\$2.30
HW8340-01	COIN BAG	\$16.40
HW8341-01	COIN BAG, VIBE w/ COIN	\$33.55
HW8401-01	FLAT HANDLE POCKET PULL, 5.0, .06T MOUNTING	\$4.50
HW8401-02	POCKET PULL, 3-1/4", .06T MOUNTING, FLAT HANDLE	\$4.50
HW8402-01	HANDLE, 5.50L/10-32 MOUNTING x.31D x 1.50H	\$10.45
HW8403-01	2-3/4 CHEST HANDLE	\$9.00
HW8712-01	KEYED-SAME SLIDING DOOR LOCK	\$15.25
HW8716	564 LOCK, 1 3/8L, STRAIGHT CAM	\$6.25
HW8721	564 LOCK, 7/8L, W/ JAM NUT	\$4.05
HW8727	KEYED LOCK, 1-1/8L, CAPTIVE KEY, STRAIGHT CAM	\$5.55
HW8731	KEYED LOCK, 7/8L, W/ JAM NUT, 90°	\$5.75
HW8733-03	KEYED LOCK, 5/8L, CAPTIVE KEY, HI SECURITY, W/O CAM	\$9.85
HW8733-04	KEYED LOCK, 1.38, CAPTIVE KEY, HI SECURITY, W/O CAM	\$10.55
HW8733-05	KEYED LOCK, 7/8L, CAPTIVE KEY, HI SECURITY, W/O CAM	\$8.75
HW8734-01	564 LOCK, 5/8L, W/O CAM	\$4.25
HW8741	CASH DOOR LOCK, 1/2L, CIRC, BENT CAM	\$12.20
HW8880-02	STANDOFF, TWIST LOCK, .75/.85BDL, .187DIA	\$0.30
HW8911-02	SPRING PIN, .188OD x .50L	\$0.10
HW8953-02	13" MONITOR BEZEL, ABS	\$13.25
HW8989	FAN GUARD, 2.8"	\$1.60
HW8993-02	LAZY SUSAN, 12" DIAMETER, 15° STOPS	\$11.20
HW9030-01	SHOCK MOUNT GROMMET, .245ID x .755OD	\$1.10
HW9101-01	.303GDx.039GW E RING	\$0.60
HW9252-02	2 x 2 VELCRO, HOOK & LOOP	\$0.75
HW9252-03	1 x 3 VELCRO, HOOK & LOOP	\$0.60
HW9420	9x11 VINYL SHEET HOLDER	\$1.60
HW9461-03	SIGN HOLDER, 4X12	\$10.80
HW9998-01	10-32x.50L,KNOB,CLAMPING MACHINE SCREW	\$5.85
KOV-105-102-01	FORCE VIDEO MODULE OEM KIT (NO DISCOUNT)	\$1,800.00
KOV-105-104-01	VIBE PROCESSOR MODULE (NO DISCOUNT)	\$1,200.00
KOV-105-104-02	FORCE PROCESSOR MODULE OEM KIT, VIBE w/ COIN	\$1,200.00
KOV-105-105-01	COIN REJ.-READY VIDEO MODULE OEM KT, VIBE w/ COIN	\$1,700.00
KUV-107-001	BILL ACCEPTOR COINBOX, .25/\$1/\$2/\$5	\$495.00
LB1030-01	9", 6 WATT FLUORESCENT, CLOCKWISE	\$6.00
MP0001-09	LEFT SIDE COVER	\$68.30
MP0001-10	RIGHT SIDE COVER	\$68.30
MP0002-07	TOP COVER, 15", COIN ENTRY	\$44.85
MP0005-08	FRONT COVER	\$24.45
MP0009-05	BEZEL, 15" LCD	\$37.05
MP0010-01	BEARING, DISPLAY PIVOT	\$0.55
MP0011-01	BEARING SEAT, DISPLAY PIVOT	\$0.50
MP0013-03	FRONT COVER	\$19.50
MP0014-01	FRONT BEZEL	\$83.90

FORCE PARTS LIST

Item	Description	Sales Price
MP0015-01	REAR BEZEL	\$61.70
MP0016-01	RADION BASE	\$118.70
MP0017-01	REAR DOOR	\$68.50
MP0018-01	LEFT SIDE COVER	\$49.35
MP0018-02	RIGHT SIDE COVER	\$54.80
MP0019-01	COIN ENTRY PLATE	\$12.60
MP0020-01	COIN RETURN LEVER	\$6.45
MP0021-02	MARS BILL ACCEPTOR COMBO PLATE	\$10.15
MP0024-01	MONITOR BEZEL	\$356.20
MP0025-01	MONITOR BEZEL	\$317.25
MP0026-01	CLEAR INSERT, VIBE	\$16.60
MP0027-01	MONITOR BEZEL, VIBE	\$83.85
MP0028-01	REAR ENCLOSURE, VIBE	\$83.85
MP0029-01	CENTRONICS COVER	\$3.15
MP0030-01	PLASTIC CREDIT CARD BLANKING PLATE, VIBE	\$7.65
MP0034-01	COIN GUARD, RADION	\$2.35
MP0035-01	MONITOR BEZEL, JUKEBOX	\$453.30
MP0036-01	LOWER BEZEL, JUKEBOX	\$397.80
MP0037-01	REAR ENCLOSURE, VIBE w/ COIN	\$101.40
MP0038-01	COIN CUP INSERT, VIBE w/ COIN	\$18.55
MP0039-01	COIN REJECTOR BRACKET, VIBE w/ COIN	\$18.55
MP0040-01	COIN BAG COLLAR, VIBE w/ COIN	\$13.65
MP0041-01	COIN RETURN BUTTON, VIBE w/ COIN	\$25.00
MW0009-02-0D	COUNTERTOP CHASSIS	\$136.90
MW0010-02-0J	DISPLAY FRAME	\$68.25
MW0013-01-0C	TOP, CLASSIC	\$45.30
MW0014-01-0B	LATCH PLATE, (RIGHT)	\$10.50
MW0014-02-0B	LATCH PLATE, (LEFT)	\$10.50
MW0015-01	LOCK BRACKET	\$3.95
MW0016-01-0C	DOOR, CLASSIC	\$54.50
MW0020-01-0B	COIN CHUTE, ENTRY, LEFT	\$20.30
MW0021-01	COIN CHUTE, ENTRY, RIGHT	\$9.75
MW0023-01	LOCK BOLT, 13.64"L	\$6.00
MW0023-04	BOLT, LOCK, 7.99" L	\$4.10
MW0024-01	CAM LOCK	\$1.20
MW0038-01	CORD CLAMP	\$4.25
MW0043-01	COINBOX STOP	\$1.75
MW0051-01	LINKAGE, COIN RETURN	\$3.80
MW0052-01-0A	BILL ACCEPTOR & COINBOX DOOR	\$10.10
MW0053-01	EXTENSION, BILL ACCEPTOR & COINBOX BUTTON	\$4.10
MW0055-01	COINBOX & BILL ACCEPTOR CHASSIS	\$178.25
MW0061-02	FAN PROTECTOR COVER,	\$26.05
MW0092-01-0A	MARQUEE FRAME	\$18.35
MW0093-01-0B	MARQUEE CLAMP	\$8.95
MW0095-01	STAY ARM	\$14.80
MW0097-01-0A	TAMPER PROOF BEZEL BRACKET	\$10.25
MW0098-01-0A	STAY ARM HAT BRACKET	\$5.55
MW0118-01-0B	SMILEY BRACKET	\$43.70
MW0119-03	MECHANICAL COIN REJECTOR BRACKET, RD	\$39.15
MW0124-01-0B	HINGE, UPRIGHT	\$18.15
MW0126-01-0D	FRONT LOCK/SPEAKER PANEL GRILL	\$82.30

FORCE PARTS LIST

Item	Description	Sales Price
MW0129-01	COVER PLATE, B/A OPENING	\$10.30
MW0133-01-0A	FLUORESCENT LAMP BRACKET	\$10.40
MW0138-01-0B	2 POINT LOCK BRACE	\$16.60
MW0221-01	ANGLE,SCTY REINF,UR,XL5	\$4.90
MW0224-01	ELECTRONIC COIN REJECTOR BRACKET, L	\$59.65
MW0241-01	BRACKET, TOP, MAIN	\$25.75
MW0242-01	BRACKET, SIDE PANEL, L	\$17.15
MW0242-02	BRACKET, SIDE PANEL, R	\$17.15
MW0243-01	COINBOX DRAWER	\$39.15
MW0244-04	DRAWER FACE	\$26.50
MW0245-01	DRAWER COVER	\$26.30
MW0246-01	UPPER LATCH CLIP	\$5.15
MW0246-02	LOWER LATCH CLIP	\$5.15
MW0248-01	LOWER BEZEL BRACKET	\$27.70
MW0253-01	LOCK BAR, COINBOX DOOR	\$5.85
MW0254-01	CAM LOCK, COINBOX DOOR	\$2.60
MW0260-01	LATCH, UPPER-LEFT SIDE PANEL	\$5.95
MW0260-02	LATCH, LOWER-LEFT SIDE PANEL	\$6.45
MW0260-03	LATCH, UPPER-RIGHT SIDE PANEL	\$5.95
MW0260-04	LATCH, LOWER-RIGHT SIDE PANEL	\$6.45
MW0281-06	POWER ENTRY BRACKET	\$25.35
MW0298-01	BRACE/MARQUEE BRACKET	\$107.25
MW0299-01	CRT SHELF BRACKET	\$25.50
MW0305-01	COIN CHUTE, SIDE MOUNT	\$62.00
MW0321-01	PLATE, SIDE LATCH	\$1.15
MW0322-01	REAR DOOR CAM, 3 PT	\$4.90
MW0323-01	REAR DOOR LOCK BAR	\$2.90
MW0324-02	COIN ENTRY PLATE, TILT	\$15.00
MW0325-01	COIN MECH BRACKET	\$53.05
MW0326-01	COIN REJECTOR SHAFT	\$5.85
MW0327-01	COIN RETURN CHUTE	\$18.70
MW0333-01	COIN MECH CLIP, LEFT	\$5.15
MW0333-02	COIN MECH CLIP, RIGHT	\$5.15
MW0339-01	COIN RETURN CUP, TILT	\$23.10
MW0343-01	COIN RTN CUP FLAP	\$1.90
MW0345-01	METER BRACKET	\$7.00
MW0346-01	CHASSIS, MAIN, ATX	\$159.50
MW0350-01	DISPLAY CLIP	\$2.55
MW0351-04	REAR DOOR	\$97.90
MW0361-01	FAN BRACKET	\$13.85
MW0362-02	ELECTRONIC SHELF	\$79.05
MW0366-01	COINBOX/CRT BRACKET	\$109.80
MW0367-01	POWER ENTRY/COUPLER PLATE	\$8.95
MW0374-01	COINBOX, UPRIGHT	\$115.85
MW0378-01	MARS BILL ACCEPTOR BRACKET	\$76.85
MW0379-01	BILL ACCEPTOR CAM, 5/8OFS	\$7.70
MW0394-01	LEFT LCD BRACKET	\$3.05
MW0394-02	RIGHT LCD BRACKET	\$3.05
MW0407-01	LABEL BRACKET	\$7.45
MW0425-01	MAIN CHASSIS	\$143.35
MW0426-02	HINGE BRACKET	\$73.15

FORCE PARTS LIST

Item	Description	Sales Price
MW0427-01	COINBOX DRAWER	\$53.85
MW0428-01	DRAWER, COVER	\$78.80
MW0429-01	LOWER BEZEL BRACKET	\$88.95
MW0431-01	BILL ACCEPTOR BRACKET	\$48.75
MW0432-01	BEZEL CLAMP BRACKET	\$20.30
MW0435-01	BILL ACCEPTOR CLAMP, TOP	\$61.65
MW0436-01	BILL ACCEPTOR CLAMP, BOTTOM	\$49.15
MW0443-01	COIN CHUTE FUNNEL, UPRIGHT	\$19.35
MW0447-01	ATX POWER SUPPLY BRACKET	\$20.90
MW0467-01	MICROTOUCH CONTROLLER BRACKET	\$23.35
MW0469-01	POWER SUPPLY MOUNTING BRACKET	\$26.70
MW0470-01	COIN CHUTE	\$50.45
MW0471-01	COIN RETURN CHUTE	\$35.65
MW0472-01	CAM, L, DOOR	\$11.63
MW0475-01	DOMESTIC COINBOX	\$161.85
MW0476-01	I/O BRACKET	\$38.60
MW0479-01	COIN RETURN ARM	\$10.80
MW0482-01	LEFT LOCKING CAM	\$5.30
MW0483-01	REAR DOOR HINGE	\$13.15
MW0486-01	SHORT LOCKING BAR	\$3.05
MW0486-02	LONG LOCKING BAR	\$3.35
MW0487-01	MOTHERBOARD TRAY	\$62.40
MW0488-01	COIN OPTION BRACKET	\$15.20
MW0489-01	FAN BRACKET, 60MM	\$19.35
MW0491-01	COIN RETURN LEVER	\$4.70
MW0493-01	MOTHERBOARD TRAY, W/B/A	\$31.90
MW0494-01	HARD DRIVE BRACKET	\$16.60
MW0495-01	HARD DRIVE FAN BRACKET, W/B/A	\$15.60
MW0496-01	MOTHERBOARD TRAY	\$35.10
MW0497-01	I/O & HARD DRIVE BRACKET	\$13.65
MW0498-01	REAR DOOR CAM	\$10.30
MW0499-01	BRACKET, DUAL 50MM FANS	\$26.90
MW0500-01	SPILL PLATE, REAR DOOR	\$15.35
MW0502-01	CURVED STRAP HINGE	\$7.80
MW0503-01	STRAIGHT STRAP HINGE	\$7.80
MW0509-01	LONG LOCKING BAR RETAINING PLATE	\$2.34
MW0510-01	COINBOX LOCK CAM	\$4.00
MW0516-01	SLIDE PLATE	\$10.95
MW0520-01	I/O BRACKET	\$17.20
MW0521-01	BILL ACCEPTOR ALIGN BRACKET	\$21.45
MW0542-01	HARD DRIVE BRACKET, RADION	\$15.45
MW0543-01	FAN GUARD W/ SWITCH OPENING	\$16.65
MW0544-01	SPEAKER GRILL, UPRIGHT W/ COIN DOOR	\$9.60
MW0545-01	SIGN HOLDER, UPRIGHT W/ COIN DOOR	\$14.70
MW0546-01	MOTHERBOARD CHASSIS, UPRIGHT W/ COIN DOOR	\$32.55
MW0559-01	ESCUTCHEON, UPRIGHT	\$11.95
MW0560-01	B/A COVER, UPRIGHT W/ COIN DOOR	\$38.80
MW0561-01	B/A COVER BRACKET	\$3.00
MW0566-01	OVERSIZED COINBOX, RADION	\$98.30
MW0567-01	LEFT SPEAKER BRACKET, VIBE	\$12.90
MW0567-02	RIGHT SPEAKER BRACKET, VIBE	\$12.90

FORCE PARTS LIST

Item	Description	Sales Price
MW0568-01	SWITCH CONNECTOR BRACKET, VIBE	\$13.50
MW0572-01	CHASSIS, VIBE	\$73.20
MW0573-01	HARD DRIVE BRACKET, VIBE	\$12.75
MW0575-02	PROCESSOR ENCLOSURE LID, VIBE	\$50.15
MW0575-03	PROCESSOR ENCLOSURE BASE, VIBE	\$105.30
MW0577-01	LCD BRACKET, VIBE	\$88.15
MW0578-01	METAL CREDIT CARD BACKING PLATE, VIBE	\$6.85
MW0584-01	.39 OFFSET LOCK CAM, VIBE	\$12.95
MW0597-01	CAM, BILL ACCEPTOR LOCK BRACKET, VIBE	\$3.50
MW0610-01	CAM, CATCH, LOCK BRACKET, VIBE	\$17.00
MW0611-01	LOCK PLUNGER, VIBE	\$28.50
MW0612-01	WIRE ENTRY PLATE, VIBE	\$7.60
MW0613-01	BILL ACCEPTOR LOCK BRACKET, VIBE	\$35.90
MW0615-01	SPEAKER BRACKET, JUKEBOX	\$16.40
MW0616-01	COMM INTFC PANEL, JUKEBOX	\$12.90
MW0617-01	SW BRACKET, JUKEBOX	\$12.90
MW0618-01	TOUCHTUNES MODULE MOUNTING PLATE, JUKEBOX	\$34.15
MW0619-01	RISER MOUNTING BRACKET, JUKEBOX	\$15.25
MW0621-01	IEC OUTLET MODULE MOUNTING BRACKET	\$26.55
MW0625-01	LEFT JUKEBOX MONITOR MOUNTING BRACKET	\$40.70
MW0625-02	RIGHT JUKEBOX MONITOR MOUNTING BRACKET	\$40.70
MW0626-01	JUKEBOX DOOR FRAME ASSEMBLY	\$471.55
MW0629-01	JUKEBOX CARD READER BLANKING PLATE	\$35.00
MW0631-01	JUKEBOX LIGHT SHOW MOUNTING BRACKET	\$30.45
MW0633-01	SUBWOOFER BRACKET, JUKEBOX	\$12.90
MW0634-01	FAN MOUNTING BRACKET, JUKEBOX	\$12.10
MW0635-01	DL FAN MOUNTING BRACKET, JUKEBOX	\$16.38
MW0637-01	REAR PANEL, SS, JUKEBOX	\$135.75
MW0638-01	LOCK CAM,SS, JUKEBOX	\$11.35
MW0639-01	INTERNAL AUDIO BRACKET,SS, JUKEBOX	\$19.90
MW0640-01	SUBWOOFER BRACKET	\$15.25
MW0641-01	TRANSFORMER BRACKET	\$19.90
MW0642-01	AMPLIFIER BRACKET,SS, JUKEBOX	\$17.95
MW0643-01	18Lx5.25Wx.05T PERF PANEL	\$38.05
MW0645-01	ENET BRACKET, MEGATUNES, JUKEBOX	\$14.45
MW0646-01	TRANSFORMER BRACKET, MEGATUNES, JUKEBOX	\$11.90
MW0647-01	TRANSFORMER BRACKET, MEGATUNES, JUKEBOX	\$8.00
MW0649-01	ACCESS PANEL, VIBE	\$12.90
MW0650-01	LOCK CATCH BRACKET, JUKEBOX	\$22.95
MW0651-01	RCPT, LOCK CATCH BRACKET, JUKEBOX	\$38.25
MW0652-01	LOCK BRACKET, VIBE	\$32.20
MW0653-01	COIN BAG BRACKET, JUKEBOX	\$38.25
MW0655-01	CATCH, LOCK BRACKET, VIBE	\$28.10
MW0657-01	CHASSIS, MEGATUNES	\$220.00
MW0663-01	COIN RETURN CHUTE, VIBE w/ COIN	\$20.70
MW0664-01	TILT BRACKET, VIBE w/ COIN	\$33.90
MW0665-01	RIGHT COIN REJECTOR HANDLE, VIBE w/ COIN	\$6.10
MW0665-02	LEFT COIN REJECTOR HANDLE, VIBE w/ COIN	\$6.10
MW0666-01	LOCK BRACKET CATCH, VIBE w/ COIN	\$33.15
MW0667-01	LOCK BRACKET BASE, VIBE w/ COIN	\$24.35
MW0668-01	ELECTRONIC COIN REJECTOR BRACKET, VIBE w/ COIN	\$7.20

FORCE PARTS LIST

Item	Description	Sales Price
MW0669-01	SWITCH/CONNECTOR BRACKET, VIBE w/ COIN	\$7.25
MW0670-01	FACEPLATE, VIBE w/ COIN	\$22.25
MW0671-01	LOCK PLUNGER, VIBE w/ COIN	\$36.50
MW0672-01	WIRE ENT PLATE, VIBE w/ COIN	\$10.15
MW0679-01	.98" OFFSET LOCK CAM, VIBE w/ COIN	\$7.00
MW0680-01	RIBBON CABLE ADAPTER PLATE, VIBE w/ COIN	\$4.00
MW1720-01-0B	SPEAKER SCREEN	\$7.80
MW2012-01	SECURITY LOOP, R	\$7.20
MW2012-02	SECURITY LOOP, L	\$12.85
MW2013-01	DUCK BILL CAM	\$10.15
MW4147-01	SMALL FLUORESCENT LAMP FIXTURE ENCLOSURE	\$9.05
MW5000-03	DUAL METER & SWITCH BRACKET	\$8.95
MW5003-01	LEFT CRT ADJ BRACKET W/ CUTOUT	\$16.20
MW5003-03	LEFT CRT ADJ BRACKET W/O CUTOUT	\$21.70
MW5004-01-0A	POWER ENTRY BRACKET,U/R 19",T/S	\$17.75
MW5164-01	REAR DOOR HINGE, COUNTERTOP	\$6.65
MW5171-01	COINBOX CONN BRACKET, W/B	\$3.70
MW5171-02	COINBOX CONN BRACKET	\$3.75
PA0051-01	FORCE 2003.5 EDITION CD#1	\$35.00
PA0052-02	FORCE 2003.5 EDITION CD#2	\$35.00
PA3014-02	FORCE 2003.5 HARD DRIVE ASSEMBLY	\$257.40
PM0212-02	COIN/COUNTRY JUMPER CHART	\$0.20
PM0347-01	RADION SIGN INSTALLATION INSTRUCTIONS	\$2.20
PM0353-03	RECESSED WALL MOUNTING TEMPLATE, VIBE w/ COIN	\$12.60
PM0354-01	PROCESSOR MOUNTING TEMPLATE, VIBE	\$5.85
PM0398-01	MOUNTING TEMPLATE, MEGATUNES	\$15.20
PM0409-01	VIDEO MODULE WALL MOUNTING TEMPLATE, VIBE w/ COIN	\$12.70
PM2417-01	BASE/WALL MTG COIN REJ. ADJUSTING LABEL, VIBE w/ COIN	\$5.80
PM5131-01	WARNING LABEL	\$14.65
PM5937-02	PATENT LABEL VIDEO GAMES	\$0.50
PM6063-01	\$1/\$2/\$5 STICKER	\$18.00
PM6064-01	\$1/\$2 & \$5 STICKER	\$1.80
PM8928-39	FORCE SIGN	\$1.80
PM8928-48	FORCE 2003 SIGN	\$1.20
PM8928-52	FORCE 2003 NEW GAMES & MUSIC INTERCONNECTION SIGN	\$1.25
PM8928-55	FORCE 2003.5 COUNTERTOP SIGN	\$3.00
PM8949-01	TOURNAMAXX READY PROMO SIGN	\$0.40
PM8949-01	TOURNAMAXX READY PROMO SIGN	\$0.40
SA0014-03	ELECTRONIC/MANUAL COIN REJECTOR HARNESS	\$1.15
SA0047-02-0A	COIN-BILL ACCEPTOR HARNESS	\$9.45
SA0064-04	120V POWER ENTRY MODULE	\$18.40
SA0078-07	GROUND, #10 RING LUG, 17"	\$0.85
SA0078-10	GROUND, #6 RING LUG & #10 RING LUG, 20"	\$1.35
SA0078-15	GROUND, #6 RING LUG & #10 RING LUG, 7"	\$0.70
SA0078-23	GROUND, #10 RING LUG, 44"	\$2.85
SA0078-26	GROUND, #10 RING LUG, 14"	\$1.00
SA0078-27	GROUND, #10 RING LUG, 4"	\$0.70
SA0082-01	AC JUMPER HARNESS	\$1.00
SA0082-02	AC JUMPER HARNESS, 32"L	\$1.70
SA0096-04	POWER ENTRY W/ COUPLERS	\$46.10
SA0097-01	MODIFIED MARS 2000 BILL ACCEPTOR (500 STACKER)	\$740.00

FORCE PARTS LIST

Item	Description	Sales Price
SA0102-03	INTERFACE, CASH SYSTEM	\$31.10
SA0103-07	13" VGA TOUCHSCREEN ASSEMBLY	\$883.50
SA0105-06	SILVER & BLACK COVER	\$229.60
SA0106-12	DOMESTIC POWER ENTRY ASSEMBLY	\$124.40
SA0108-04	MAIN HARNESS	\$6.75
SA0118-03	POWER EXTENSION CABLE, PCA/HARD DRIVE	\$3.15
SA0118-03	HARD DRIVE/CD-ROM POWER EXTENSION CABLE	\$3.15
SA0118-04	HARD DRIVE/CD-ROM POWER EXTENSION CABLE	\$6.15
SA0152-01	SMILEY HARNESS, JUMPER1	\$5.00
SA0152-02	SMILEY HARNESS, JUMPER2	\$5.00
SA0152-03	SMILEY HARNESS, JUMPER3	\$5.00
SA0152-04	SMILEY HARNESS, JUMPER4	\$5.00
SA0165-01	SWITCH COUNTER ASSEMBLY	\$10.35
SA0177-03-0A	FLUORESCENT LAMP FIXTURE, 6W, 220V/50HZ	\$48.80
SA0177-04-0A	FLUORESCENT LAMP FIXTURE, 117V/60HZ, 6W	\$43.65
SA0177-05	6W,117V/60HZ, FLUORESCENT LAMP ASSEMBLY	\$34.60
SA0178-02	MAIN HARNESS	\$47.95
SA0181-02	POWER SWITCH HARNESS	\$1.60
SA0183-03	COIN MECH HARNESS	\$10.60
SA0183-04	INTERNATIONAL COIN MECH HARNESS	\$10.60
SA0184-01	MARS BILL ACCEPTOR HARNESS	\$0.30
SA0185-03	SMILEY BILL ACCEPTOR HARNESS	\$0.75
SA0197-01	12V FAN ASSEMBLY, CVR/3"	\$48.25
SA0225-06	AC HARNESS, ATX	\$8.40
SA0226-04	DC POWER HARNESS, ATX	\$5.40
SA0226-05	DC POWER HARNESS, ATX	\$4.55
SA0237-04	TOP COVER, GND	\$86.70
SA0238-05	BOTTOM FRONT COVER	\$80.00
SA0238-06	BOTTOM FRONT COVER	\$87.70
SA0240-05	COIN DRAWER	\$123.75
SA0240-06	COIN DRAWER	\$115.90
SA0241-05	LEFT SIDE COVER	\$116.25
SA0241-06	RIGHT SIDE COVER	\$116.25
SA0242-06	DOMESTIC POWER ENTRY	\$70.75
SA0242-07	INTERNATIONAL POWER ENTRY ASSEMBLY	\$69.15
SA0250-06	POWER SHELF	\$289.75
SA0250-07	POWER SHELF ASSEMBLY	\$282.70
SA0252-04	HARNESS, AC, CIRCUIT BREAKER, ATX	\$7.05
SA0255-03	MECHANICAL COIN REJECTOR BRACKET ASSEMBLY	\$82.60
SA0260-04	ATX POWER/PCB HARNESS	\$9.65
SA0266-01	POWERCORD, 6" R/A, F, IEC W/F CONNECTOR, R	\$5.65
SA0266-02	6" R/A, F, IEC W/F CONNECTOR, POWER CORD, R	\$4.50
SA0266-02	9" R/A,F,IEC W/F CONNECTOR, POWER CORD, R	\$4.50
SA0267-03	POWER SUPPLY	\$109.75
SA0268-01	METER/BRACKET	\$17.35
SA0279-01	COUNTERTOP FAN	\$24.60
SA0298-02	BILL ACCEPTOR ASSEMBLY	\$1,064.31
SA0304-01	POWER ENTRY	\$37.80
SA0307-01	SINGLE FAN ASSEMBLY, 60MM	\$95.00
SA0308-01	POWER SUPPLY ASSEMBLY, RADION	\$103.35
SA0309-01	DUAL CENTER ASSEMBLY	\$22.45

FORCE PARTS LIST

Item	Description	Sales Price
SA0309-02	COUNTER ASSEMBLY, RADION	\$10.35
SA0309-03	COUNTER ASSEMBLY, VIBE	\$10.49
SA0310-01	COUNTER HARNESS	\$0.60
SA0312-01	I/O, AUDIO, COUNTER ASSEMBLY	\$329.30
SA0313-01	SPEAKER, ASSEMBLY	\$6.55
SA0313-02	SPEAKER, W/22 AWG, ASSEMBLY	\$6.55
SA0314-01	STACKER HARNESS W/ LOCKOUT	\$11.15
SA0316-01	ELECTRONIC COIN REJECTOR HARNESS	\$2.85
SA0318-01	DC POWER HARNESS, MAIN, RADION	\$9.75
SA0319-01	AC CR STACKER HARNESS	\$31.45
SA0320-01	DUAL FAN ASSEMBLY, 50MM	\$39.70
SA0324-01	RIGHT SIDE PANEL, RADION	\$136.65
SA0325-01	LEFT SIDE PANEL, RADION	\$95.55
SA0326-01	REAR DOOR & BEZEL, RADION	\$179.40
SA0327-01	FRONT BEZEL, RADION	\$120.65
SA0328-01	UPPER COIN CHUTE, RADION	\$45.40
SA0329-01	MONITOR & TOUCHSCREEN	\$933.10
SA0330-10	XL5d, FORCE 2003 HARD DRIVE & MOTHERBOARD MODULE	\$868.45
SA0331-02	FORCE 2003 HD/BACKET ASSEMBLY	\$259.95
SA0338-01	DOMESTIC COINBOX & BILL ACCEPTOR	\$812.00
SA0338-07	OVERSIZED DOMESTIC COINBOX & BILL ACCEPTOR, RADION	\$1,039.10
SA0338-09	OVERSIZED NJ COINBOX & BILL ACCEPTOR, RADION	\$1,039.10
SA0338-10	OVERSIZED SMILEY-READY COINBOX, RADION	\$130.65
SA0338-11	OVERSIZED COINBOX, RADION	\$128.70
SA0339-01	COIN OPTION BRACKET	\$63.10
SA0341-01	COIN ENTRY	\$21.10
SA0345-01	I/O & AUDIO HARNESS, DC	\$4.25
SA0346-01	INTERNATIONAL AC HARNESS	\$2.05
SA0347-01	DOMESTIC AC HARNESS, FORCE	\$3.30
SA0348-01	DC/AUDIO HARNESS, FORCE	\$6.95
SA0349-02	MAIN AC HARNESS, FORCE	\$6.35
SA0350-01	DC HARNESS, I/O & VIDEO, FORCE	\$5.10
SA0351-01	MAIN SIGNAL HARNESS, FORCE	\$18.10
SA0352-01	MAIN DC HARNESS, FORCE	\$14.40
SA0354-01	I/O HARNESS	\$21.75
SA0355-01	COUNTER HARNESS	\$4.45
SA0356-01	POWER ON HARNESS	\$2.80
SA0361-01	ELECTRONIC COIN REJECTOR	\$5.00
SA0372-01	POWER ON/OFF MODULE	\$32.60
SA0373-01	DC MOTHERBOARD HARNESS, UPRIGHT W/ COIN DOOR	\$3.90
SA0375-01	AC BILL ACCEPTOR EXTENSION HARNESS	\$4.25
SA0376-01	I/O HARNESS, UPRIGHT W/ COIN DOOR	\$15.75
SA0377-01	MANUAL COIN REJECTOR HARNESS	\$8.85
SA0377-02	JUKEBOX, MECHANICAL COIN REJECTOR CABLE	\$5.00
SA0378-01	MAIN HARNESS	\$20.20
SA0379-01	ELECTRONIC COIN REJECTOR HARNESS	\$5.85
SA0386-02	9' LINKING HARNESS, VIBE	\$26.70
SA0387-01	AC PROCESSOR HARNESS, VIBE	\$5.00
SA0387-02	AC HARNESS, PROCESSOR, VIBE w/ COIN	\$16.50
SA0388-01	PROCESSOR HARNESS, VIBE	\$5.40
SA0389-01	LEFT SPEAKER, VIBE	\$14.95

FORCE PARTS LIST

Item	Description	Sales Price
SA0389-02	RIGHT SPEAKER, VIBE	\$14.95
SA0390-01	SWITCH CONNECTOR MODULE, VIBE	\$7.10
SA0390-02	SWITCH/CONNECTOR MODULE, VIBE w/ COIN	\$7.85
SA0391-01	LINKING MECHANISM, VIBE	\$60.30
SA0392-01	15" TOUCHSCREEN AND DISPLAY, VIBE	\$1,833.00
SA0393-01	ELECTRO-LUMINESCENT DISPLAY, VIBE	\$104.35
SA0393-02	ELECTRO-LUMINESCENT DISPLAY, VIBE w/ COIN	\$42.05
SA0396-02	FORCE 2003 HARD DRIVE MODULE, VIBE	\$244.95
SA0399-01	VIDEO CHASSIS MODULE, VIBE	\$420.15
SA0400-01	DUAL 50MM FAN ASSEMBLY, VIBE	\$26.25
SA0402-01	PROCESSOR COVER ASSEMBLY, VIBE	\$67.15
SA0403-01	3-POSITION CONNECTOR & DUAL PUSH BUTTON SWITCH	\$5.00
SA0404-01	3" SPEAKER BRACKET, RADION	\$12.70
SA0405-01	DISPLAY HARNESS, VIBE	\$5.00
SA0406-02	9' AC HARNESS STACKER, VIBE	\$11.65
SA0407-02	JUKEBOX CONTROL CABLE	\$5.00
SA0408-02	JUKEBOX HUB POWER HARNESS	\$5.00
SA0410-01	LOW LEVEL AUDIO CABLE, JUKEBOX	\$7.10
SA0418-01	HARNESS, DC TAP, VIBE	\$5.00
SA0422-01	MONITOR/LIGHT AC CABLE, JUKEBOX	\$4.85
SA0423-02	SECONDARY AC HARNESS, FCC, JUKEBOX	\$11.90
SA0425-01	AC PRIMARY INLET HARNESS, JUKEBOX	\$2.30
SA0426-01	LIGHT SHOW EXTENSION HARNESS, JUKEBOX	\$3.10
SA0427-02	DC DISTRIBUTION CABLE, MEGATUNES	\$5.00
SA0427-03	LIGHT SHOW DC DISTRIBUTION CABLE, FCC, JUKEBOX	\$5.00
SA0428-02	TOUCHTUNES CONTROL BOARD HARNESS, MEGATUNES	\$5.75
SA0428-03	TOUCHTUNES CONTROL BOARD HARNESS, FCC, JUKEBOX	\$5.75
SA0429-01	ELECTRO-LUMINESCENT ASSEMBLY, VIBE	\$28.85
SA0429-02	ELECTRO-LUMINESCENT ASSEMBLY, VIBE w/ COIN	\$23.55
SA0431-01	COMMUNICATIONS INTERFACE MODULE, JUKEBOX	\$52.95
SA0438-01	AUDIO GAME HARNESS, JUKEBOX	\$1.45
SA0439-02	DC DISTRIBUTION HARNESS, FCC, JUKEBOX	\$5.00
SA0442-01	PRIMARY AC HARNESS, MEGATUNES	\$5.00
SA0442-02	SECONDARY AC HARNESS, MEGATUNES	\$9.85
SA0443-01	AC FAN ASSEMBLY, JUKEBOX	\$22.95
SA0444-01	COUNTER HARNESS, JUKEBOX	\$5.00
SA0445-01	HUB PWR CABLE, MEGATUNES	\$5.00
SA0446-01	ANTENNA CABLE	\$5.00
SA0447-01	30" RED & BLACK PAIRED CABLE	\$5.00
SA0449-01	LOCK MECHANISM, VIBE w/ COIN	\$57.50
SA0451-01	COIN REJECTOR, VIBE w/ COIN	\$113.30
SA0452-01	COIN REJECTOR-READY ASSEMBLY, VIBE w/ COIN	\$56.55
SA0455-01	ELECTRONIC COIN REJ. CABLE, VIDEO MDL, VIBE w/ COIN	\$57.75
SA0456-01	ELECTRONIC COIN REJ. HARNESS, PROC. MDL, VIBE w/ COIN	\$4.80
SA10051-01	I/O BOARD W/ PRINTER	\$247.65
SA10055-01	USB I/O BOARD, W/O PRINTER	\$193.05
SA10057-05	533MHZ FORCE MOTHERBOARD ASSEMBLY	\$1,100.00
SA10058-01	AUDIO AMP BOARD	\$69.25
SA10062-01	ELECTRO-LUMINESCENT DRIVER BOARD, VIBE	\$87.75
SA10064-01	CTRL BOARD, JUKEBOX	\$140.40
SA3220-12-0A	.25 / .25 COIN DOOR ASSEMBLY	\$244.00

FORCE PARTS LIST

Item	Description	Sales Price
SA3235-12	.25/\$1&\$5B/A, 500 STACKER	\$1,127.60
SA3243-03	BEZEL, UPRIGHT (W/O COIN DOOR)	\$583.45
SA3244-03	19" CRT MONITOR ASSEMBLY	\$839.45
SA3248-01	COINBOX ASSEMBLY	\$128.05
SA3273-01	BEZEL ASSEMBLY	\$371.85
SA3274-02	FORCE 2003, CHASSIS MODULE, UPRIGHT W/ COIN DOOR	\$1,181.90
SA3276-01	FR BZL, JUKEBOX	\$651.30
SA3277-01	MONITOR MODULE, JUKEBOX	\$1,535.40
SA3278-01	LOWER FRONT PANEL ASSEMBLY, JUKEBOX	\$1,114.05
SA4084	4" SPEAKER ASSEMBLY W/ 2-PIN CONNECTOR	\$5.85
SA5117-04-0A	FAN ASSEMBLY, 3", 12V, 2 PIN CONNECTOR, W/O GUARD	\$9.95
SA5117-05-0A	FAN ASSEMBLY, 3", 12VDC, 3 PIN, W/ GUARD	\$9.95
SA5117-08	FAN ASSEMBLY, 3", 12V, M&F CONNECTOR, W/ GUARD	\$10.75
SA5129-01	GASKET/BEZEL ASSEMBLY, 13"	\$13.25
SA7297-13	MAG SIGN HOLDER	\$10.80
SA9824-01	13" TOUCHSCREEN OVERLAY	\$429.00
SB0016-01	13"/19" TOUCHSCREEN TAPE KIT	\$12.60
SB0350-01	ELECTRONIC COIN REJECTOR-READY	\$193.50
SB0353-01	RADION SIGN MOUNTING KIT	\$25.95
SB0368-01	COIN BAG ASSEMBLY, VIBE W/ COIN	\$47.20
SB0360-01	FORCE CD UPGRADE	\$35.00
SB1771-05	GROUND, W/#4 & #6 RING LUGS 5"	\$0.85
SC7000	VARISTOR V130LA2OB	\$0.70
SC7005	VARISTOR 230VAC	\$1.00
SW3005	PANEL MOUNTING SWITCH, PB MOMENTARY	\$1.25
SW4024	ROCKER SWITCH, DPST, 250V, PANEL MOUNTING	\$3.95
SW4025-01	IEC, 250V, DPST, PANEL MOUNTING ROCKER SWITCH	\$5.00
SW5021-01	COIN SWITCH ASSEMBLY	\$13.40
WD0001-05	RIGHT SIDE PANEL	\$32.75
WD0001-06	LEFT SIDE PANEL	\$32.75
WD0013-01	CRT SHELF	\$17.55
WD0022-01	WOOD SHIM	\$2.40
WD0024-02	BLACK CABINET (discontinued under run out)	\$890.45
WD0024-03	DARK GRAY CABINET	\$890.45
WD0025-01	DARK GRAY CABINET	\$852.00
WD0030-01	SIDE PANEL	\$51.65
WD0030-02	SIDE PANEL	\$51.65
WD0038-01	MON SLF, JUKEBOX	\$28.20
WD0040-01	ENCLOSURE, JUKEBOX	\$1,093.95
WD0041-01	SOUND SYSTEM ENCLOSURE, SS	\$705.90
WR/.18/BRAID	FLAT BRAID CABLE, 3/16	\$0.25