



PARTS BOOK



PARTS BOOK
AVALON Gourmet





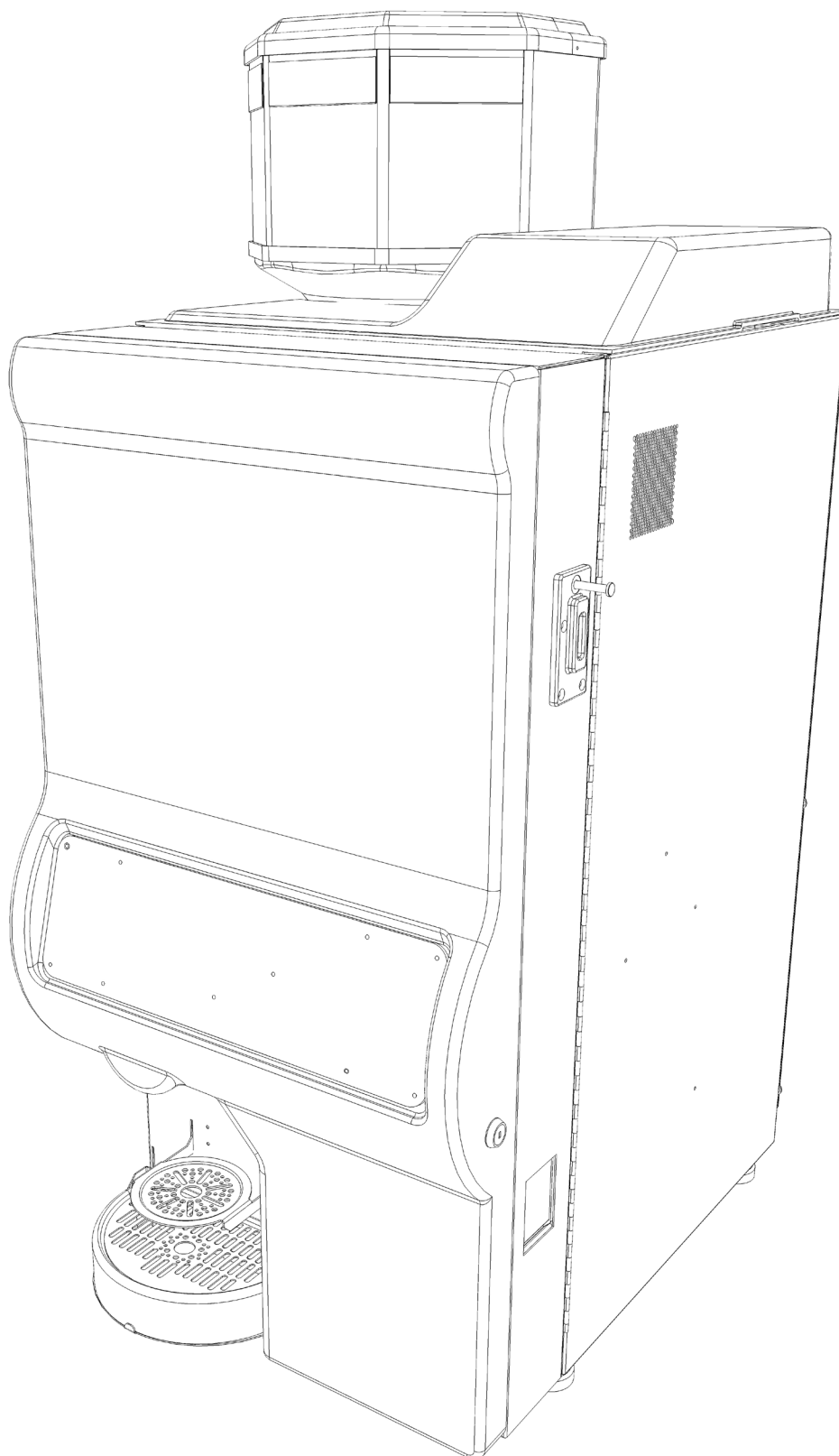
Table of contents

External view	5
Rear view	6
Internal view	7
Avalon Gourmet general machine	8
Main Door	10
Interior of Machine	12
Platinum brewer S-A (06CAB22)	14
“H” frame with brew chamber platinum S-A (06SAS136)	16
Cam housing S-A (SBSAS1135)	18
Piston & cylinder S-A (06SAS101)	20
Complete piston 9 oz and rod S-A injecte (98SAS137-I)	22
Yoke S-A (platinum) (06SAS134)	24
Platinum brewer bracket S-A (96ASS20P)	26
Coffee whipper S-A (UGASS47)	28
Coffee whipper S-A (UGASS47)	29
Modified grinder S-A (08ASS05)	30
24v solenoide chute S-A (09ASS03)	32
Canister for coffee 3 beans S-A (05ASS26)	34
3 beans shelf S-A Avalon (05ASS01)	36
Light bracket S-A (05ASS07)	38
GFCI electric pannel S-A Avalon (05ASS45)	40
Gourmet water tank S-A probe (UGASS16)	42
Improved water tank lid S-A (09ASS18)	44
Switch paper bracket S-A (08ASS02)	46
Tank overflow bracket S-A (05ASS46)	48
Overflow tray S-A (05ASS30)	50
Canisters (05CAN02)	52
Accessories	54
Hardware	56
Tubing	59



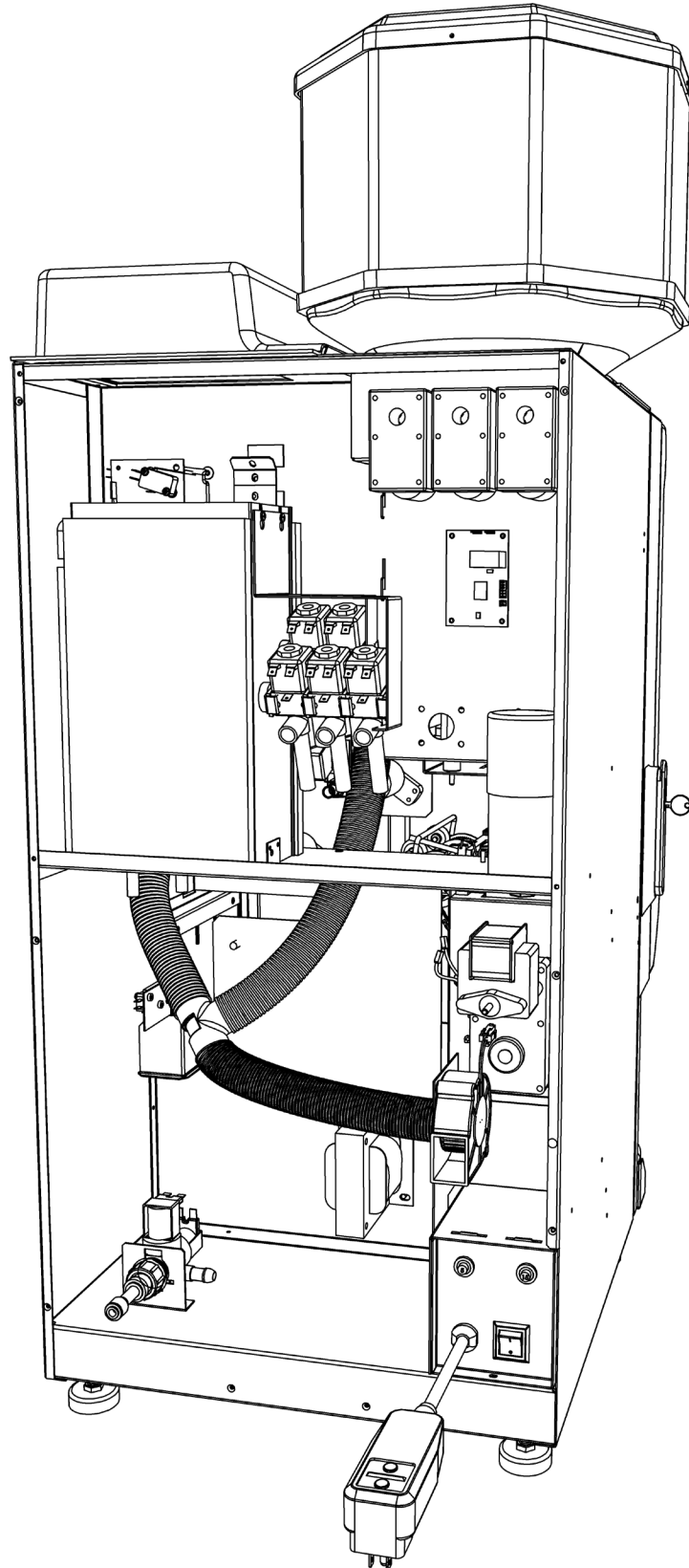


External view



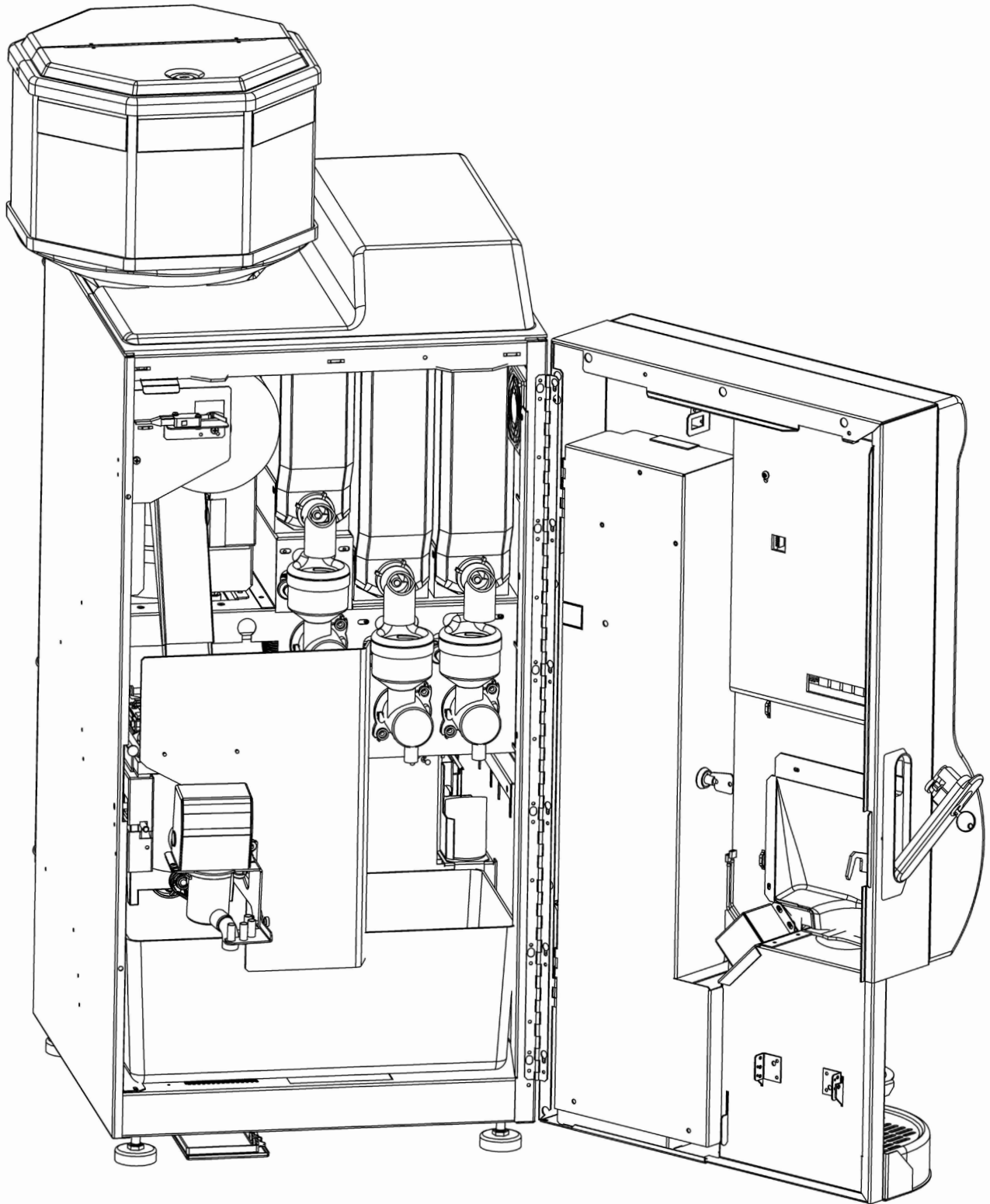


Rear view



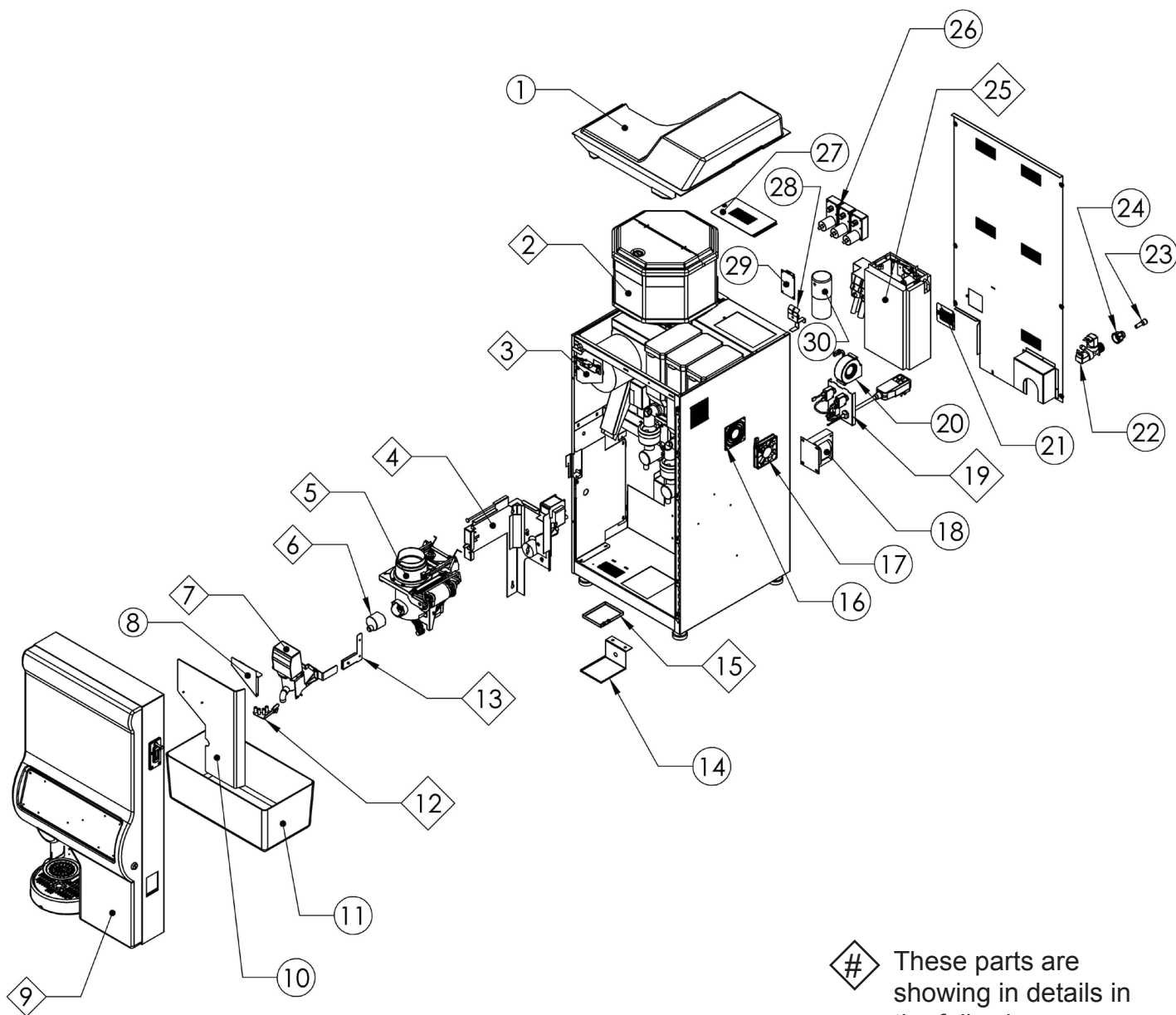


Internal view





Avalon Gourmet general machine



These parts are showing in details in the following pages. (See next page for more details)

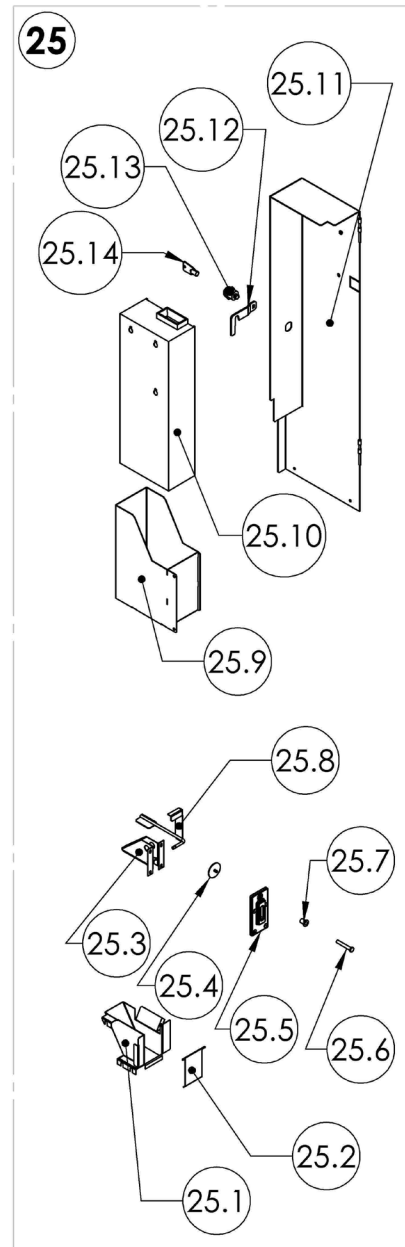
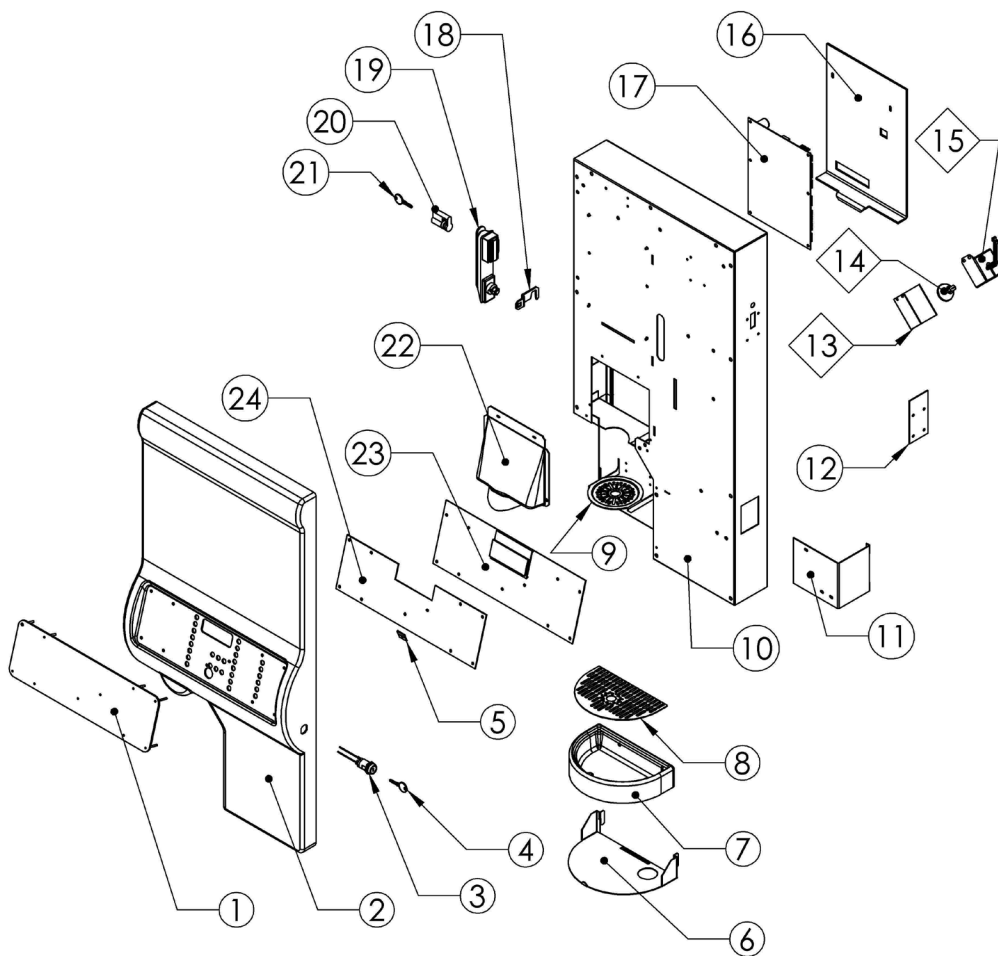


No.	Numéro de pièce	Description	Qté	◇
1	05CAB24	Triple beans hood	1	
2	05ASS26	Canister for coffee 3 beans S-A	1	P.34
3	08ASS02	Switch paper bracket S-A	1	P.46
4	96ASS20P	Platinum brewer bracket S-A	1	P.26
5	06CAB22	Platinum brewer S-A	1	P.14
6	04BRE78	Injected spout	1	P.28
7	UGASS47	Coffee whipper S-A	1	P.28
8	05CAB19C	Front pannel bracket for brewer	1	
9		Assembled Door	1	P.10
10	05ASS19	Front pannel Avalon S-A	1	
11	05CAB26	Waste basket Avalon	1	
12	10CAB04	Welded hose support (front part)	1	P.28
13	06CAB06	Hose support (rear part)	1	P.28
14	05CAB11	Overflow tray stand	1	
15	05ASS30	Overflow tray S-A	1	P.50
16	96ELC30	Fan guard	1	
17	04ASS07	Thin fan (15 mm) S-A	1	
18	05ELC09-2	Transformer with 2 secondary exits	1	
19	05ASS45	GFCI electric pannel S-A Avalon	1	P.40
20	05ASS08	Blower S-A	1	
21	05CAB27	Acces door for fan	1	
22	01TAN04	Double solenoid water inlet valve	1	
23	05TAN37	Straight fitting 3/8" to 1/4" plastic	1	
24	01TAN05	Fitting 1/4" for solenoid valv 110 v	1	
25	UGASS16	Gourmet water tank S-A probe	1	P.42
26	04MOT01	24v ingredient motor	6	
27	05CAB12	Acces door for tank	1	
28	06CAB03	Tank support	1	
29	03TAN03-P	Thermostat electronic board	1	
30	98MOT03-60	60 micro farad capacitor	1	

◇ See page number for
assembly details.



Main Door

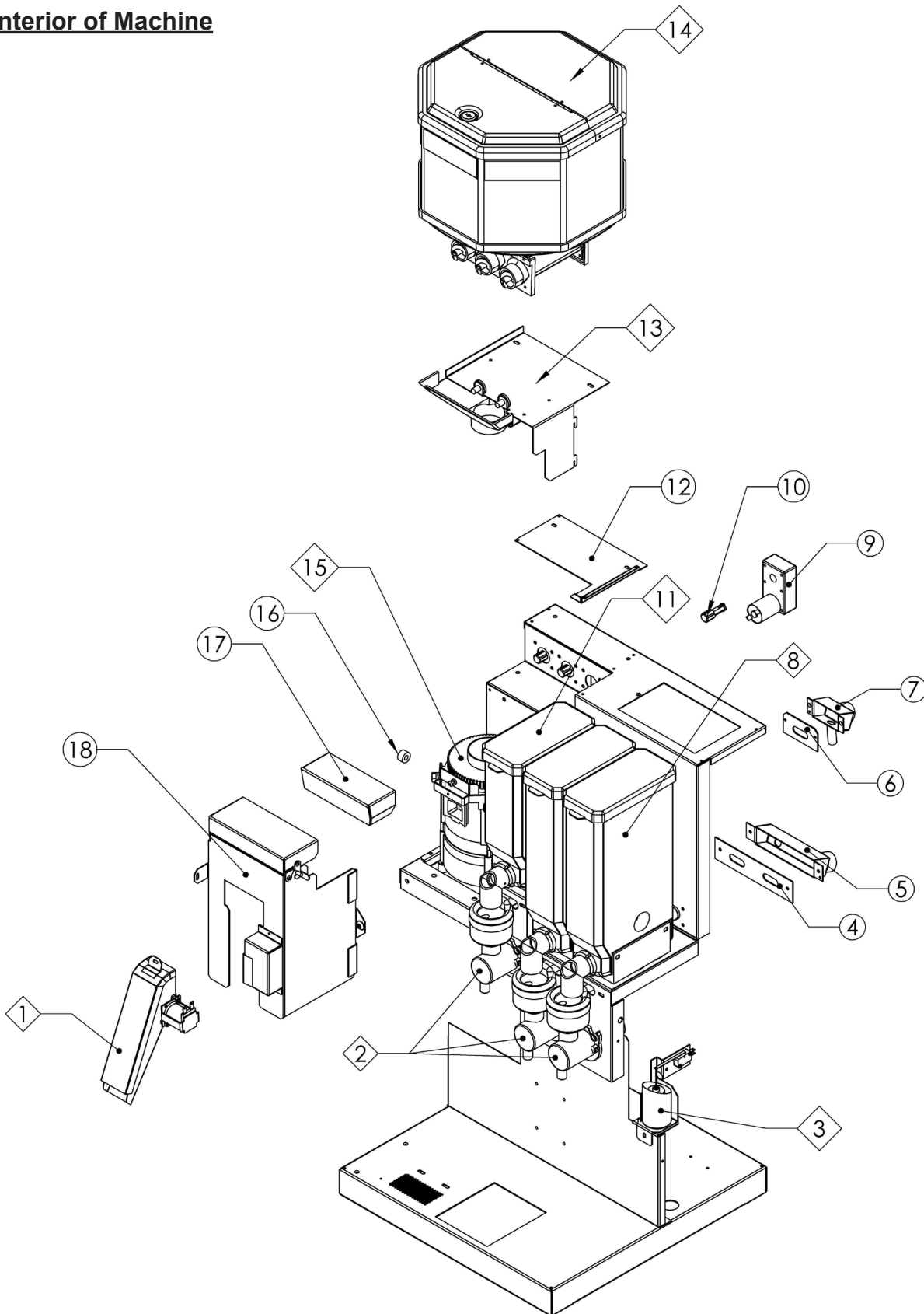




No.	Numéro de pièce	Description	Qté	◇
1	UGDOR15	Lexan membrane	1	
2	GODOR20AL	Flex aluminium gourmet fascia	1	
3	UGACC10	(#001) electric lock 2 contacts	1	
4	UGACC11	(#001) key for electric lock 2 positions	1	
5	96HAR69	Cable tie mounting platform	3	
6	05DOR02	Drip tray support Avalon	1	
7	05CAB17	Drip tray	1	
8	06CAB10	Grille Avalon	1	
9	05DOR05	Cup stand Avalon	1	
10	UGDOR01	Principal door AVUG	1	
11	05DOR42	Coin return blocker	1	
12	05DOR41	Coin insert blocker	1	
13	05DOR18	Light protective plate	1	P.38
14	05DOR21	Del light white 12v	1	P.38
15	05DOR09	Bracket light Avalon	1	P.38
16	05DOR32	Protective plate for electronic board	1	
17	05ELN01-2	24v main board	1	
18	06DOR28	Main door latch	1	
19	06DOR29	Swinghandle	1	
20	06DOR27	Profile cylinder (#1333)	1	
21	06DOR30	Key for profile cylinder (#1333)	1	
22	06DOR03	Principal door protector	1	
23	GOELN03	Interface board for led-display	1	
24	UGELN02	TCT electronic keypad	1	
25	07ASS04	Coin kit S-A side load	1	
25.1	07DOR01	Coin cup return	1	
25.2	96DOR14	Coin return door	1	
25.3	UGDOR17	Metallic coin insert bracket	1	
25.4	96DOR19	Coin reject plate kit	1	
25.5	UGDOR18	Metallic coin insert	1	
25.6	96DOR18	Coin reject pin	1	
25.7	99HAR13	Shoulder washer for slot money	1	
25.8	UGDOR16	Arm for coin insert	1	
25.9	06DOR04	Change box	1	
25.10	2030-2040	Coin changeur 9302-CGX or GX	1	
25.11	UGDOR03	Interior door	1	
25.12	05DOR06	Latch (inner door)	1	
25.13	05DOR03	Lock (#4001)	1	
25.14	05DOR30	Key (#4001)	1	



Interior of Machine

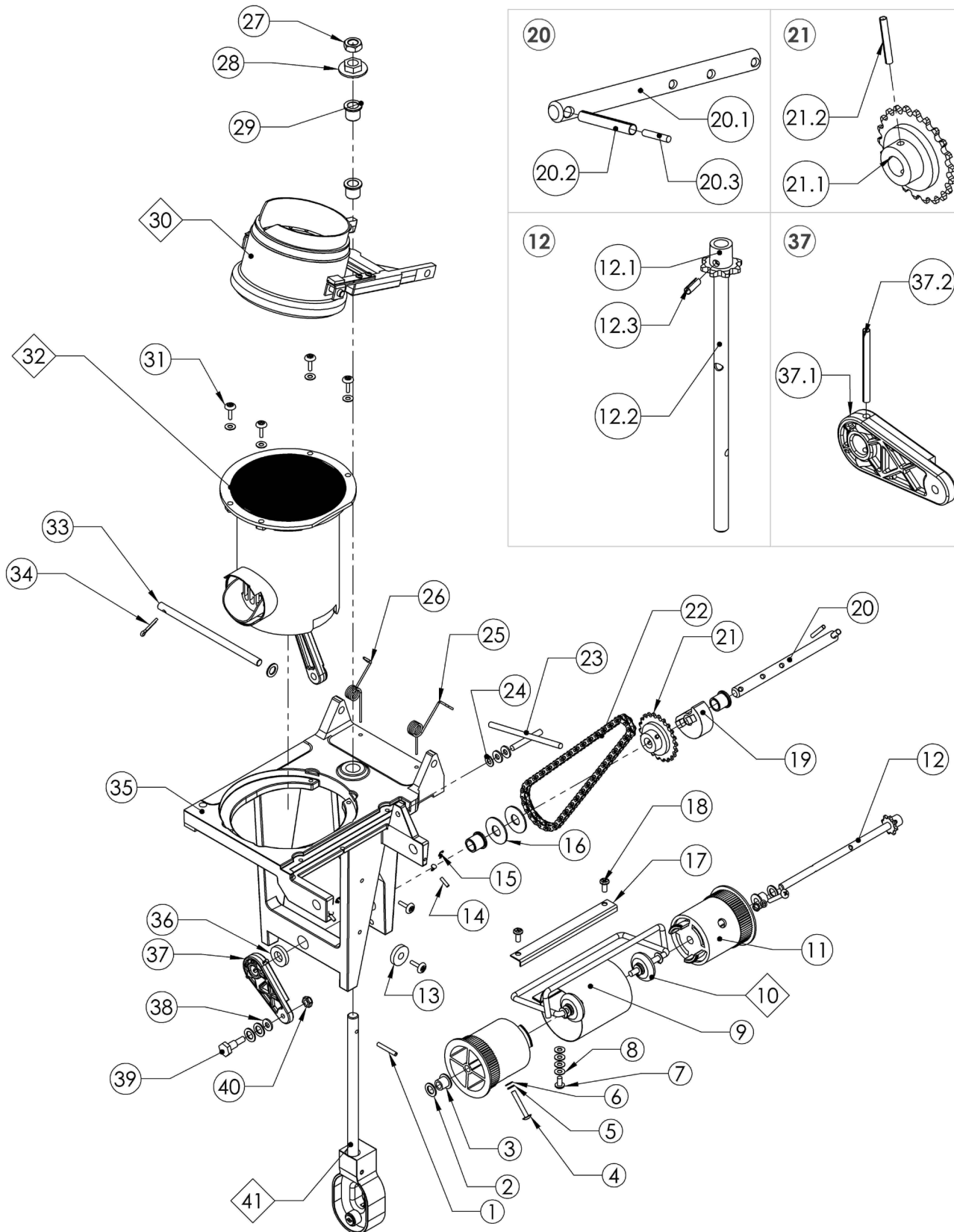




No.	Numéro de pièce	Description	Qté	◇
1	09ASS03	24v solenoide chute S-A	1	P.32
2		Wipper assembly	4	P.52
3	05ASS46	Tank overflow bracket S-A	1	P.48
4	05CAB37	Caoutchouc plate	1	
5	05CAB06	Aeration cage Avalon	1	
6	UGCAB37	Rubber seal	1	
7	UGCAB06	Center aeration cage	1	
8	05CAN02	Canister	2	P.52
9	04MOT01	24v ingredient motor	6	
10	04MOT02	Transmission 24v ingredient motor	6	
11	05CAN01C	Milk Canister	1	P.52
12	05CAB30	3 beans plastic top fitting part	1	
13	05ASS01	3 beans shelf S-A Avalon	1	P.36
14	05ASS26	Canister for coffee 3 beans S-A	1	P.34
15	08ASS05	Modified grinder S-A	1	P.30
16	98HAR85	Rubber grommet 5/16 x 1/2	1	
17	08CAB05	Protector beans funnel	1	
18	07ASS01	Grinder and chute protector S-A	1	



Platinum brewer S-A (06CAB22)





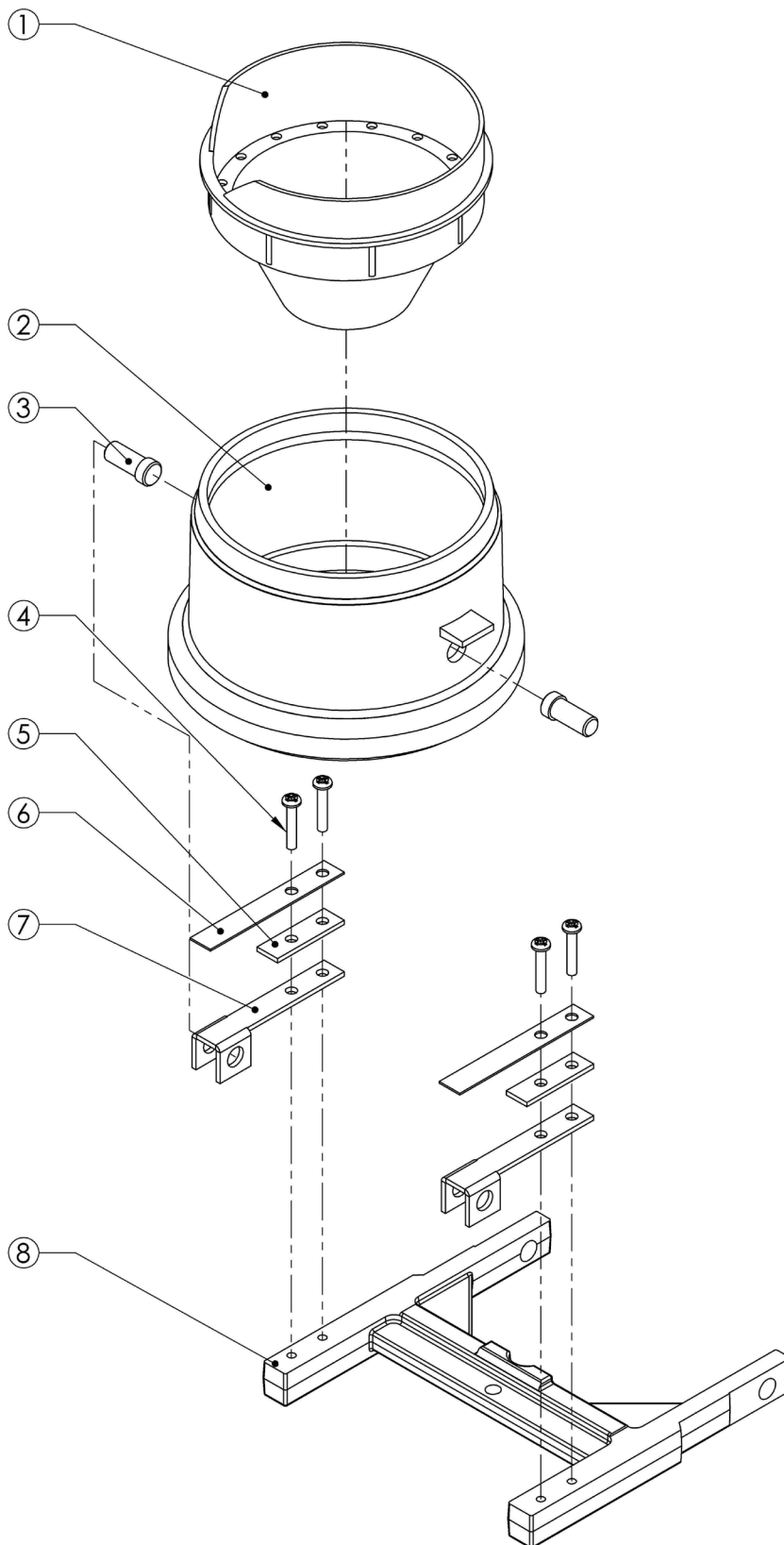
No.	Numéro de pièce	Description	Qté	◇
1	96HAR103	Spring pin 1/8 x 7/8 SS	2	
2	96HAR125	Flat washer .265 x .500 x .030 SS	5	
3	96HAR117	Main frame small bushing	2	
4	08HAR02	Screw 6-32 x 1" Truss Ph. SS	2	
5	06HAR116	Spring washer #6 SS	2	
6	96HAR10	Tooth lockwasher #6	2	
7	96HAR126	Screw 8-32 x 5/16" Pan Ph. SS	1	
8	96HAR124	Flat washer #8 .170 x .375 x .032 SS	8	
9	98BRE76	Tape drum guide band	1	
10	06SAS134	Yoke S-A (platinum)	1	P.24
11	99BRE75R-I	Injected tape drum	2	
12	SBSAS0104-I	Drum shaft S-A injected	1	
12.1	SBBRE071	Tape drum shaft sprocket	1	
12.2	99BRE73R-I	Platinum extended tape drum shaft	1	
12.3	SBHAR121	Slotted spring pin 1/8" x 3/8" SS	1	
13	96HAR164	Shoulder washer (# 121c)	1	
14	96HAR113	Spring pin 3/32 x 5/8	2	
15	98BRE05	Extension spring Platinum	2	
16	96HAR104	Flat washer .390 x 1.00 x .047 SS	2	
17	99BRE06R	Platinum yoke retaining plate	1	
18	96HAR101	Screw 8-32 x 3/8" Round Ph. SS	2	
19	SBBRE030	Cam	1	
20	98SAS108	Main shaft S-A	1	
20.1	98BRE47	Main shaft	1	
20.2	96HAR110	Spring pin 3/16 x 1 1/4 SS	1	
20.3	96HAR111	Taper pin #4/0 x 3/4 SS	1	
21	SBSAS0100	Clutch sprocket S-A	1	
21.1	SBBRE031	Clutch sprocket	1	



21.2	96HAR103	Spring pin 1/8 x 7/8 SS	1	◇
22	SBBRE009	Chain 68 pitches connecting link include	1	
23	99BRE74R	Platinum lift bar	1	
24	96HAR100	Retaining ring 3/16 (zinc)	1	
25	98BRE68	Right side lift spring (Platinum)	1	
26	98BRE67	Left side lift spring (Platinum)	1	
27	96BRE56	Nut 3/8"-24 x 7/32" thick SS	1	
28	98BRE57	Adjusting nut 3/8-24 (Platinum)	1	
29	96HAR105	Large bushing	4	
30	06SAS136	"H" frame with brew chamber platinum S-A	1	P.16
31	96HAR49	Screw 8-32 x 1/2" Truss Ph. SS	6	
32	06SAS101	Piston & cylinder S-A	1	P.20
33	98BRE69	H-frame shaft	1	
34	96HAR116	Cotter pin 3/32 x 1/2" SS	1	
35	99BRE51R	Platinum principal support	1	
36	10BRE01	UHMW flat washer .380 x .750 x .130	1	
37	98SAS103-I	Crank arm S-A injected	1	
37.1	98BRE35-I	Injected crank arm	1	
37.2	96HAR40	Coiled spring pin 1/8" x 1 1/2" (SS 420)	1	
38	96HAR108	Flat washer .203 x .437 x .032 SS	3	
39	10BRE02	Shoulder screw	1	
40	96HAR102	Hex 10-24 locknut nylon insert & SS	1	
41	SBSAS1135	Cam housing S-A	1	P.18



“H” frame with brew chamber platinum S-A (06SAS136)

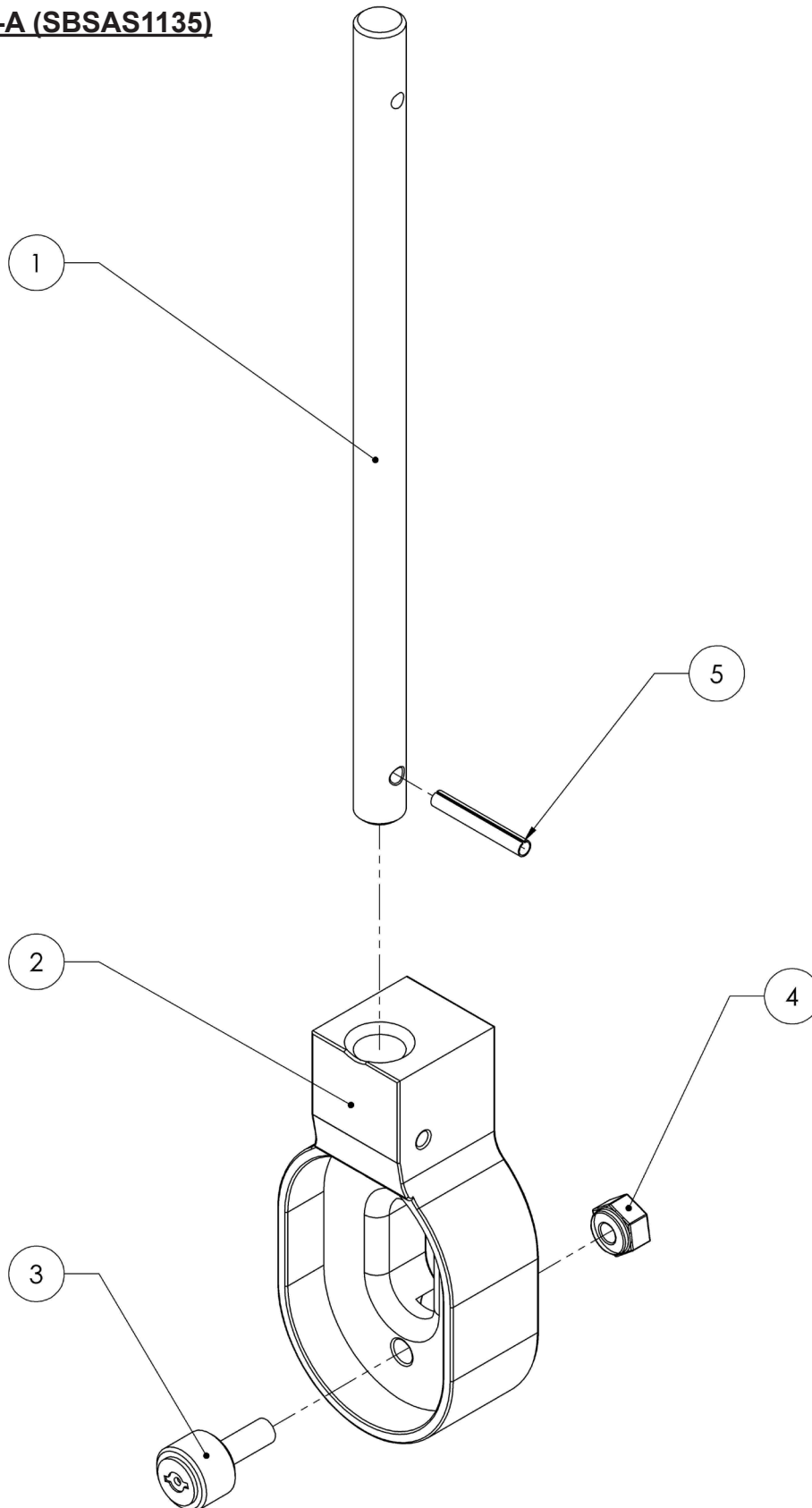




No.	Numéro de pièce	Description	Qté
"H" frame with brew chamber platinum S-A (06SAS136)			
1	98BRE64	Funnel Avalon-Petite	1
2	99BRE65R	Platinum brew chamber	1
3	98BRE63	Pin pressure spring (Platinum)	2
4	96HAR114	Screw 6-32 x 5/8" Pan. Ph. SS	4
5	98BRE61	Superior plate (Platinum)	2
6	01BRE59	Spring plate	2
7	98BRE58	Pressure spring, H-frame	2
8	99BRE66	Brewer H-frame (platinum)	1



Cam housing S-A (SBSAS1135)

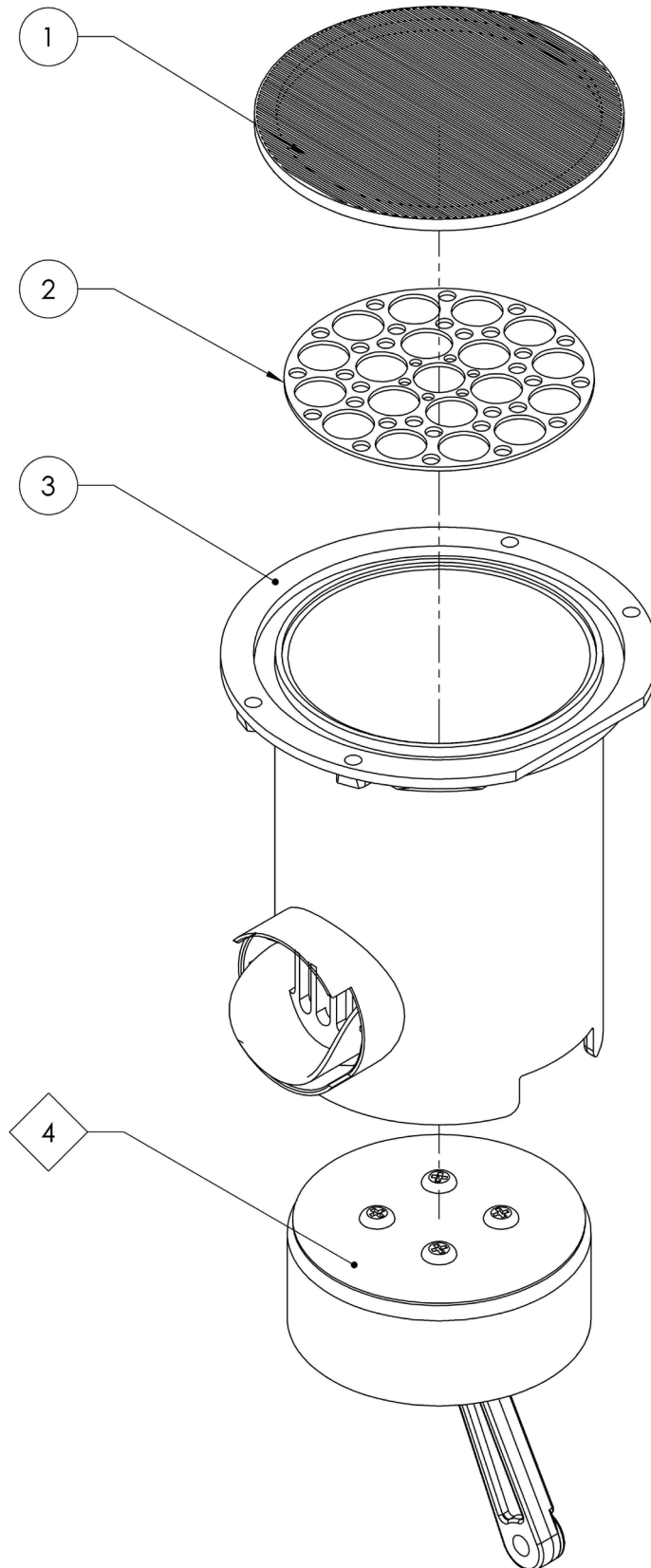




No.	Numéro de pièce	Description	Qté
Cam housing S-A (SBSAS1135)			
1	SBBRE125	Vertical rod	1
2	SBBRE029	Cam box	1
3	98BRE28	Cam follower (Platinum)	1
4	96HAR45	Nylon lock nut 10-32 Hex SS	1
5	96HAR103	Spring pin 1/8 x 7/8 SS	1



Piston & cylinder S-A (06SAS101)

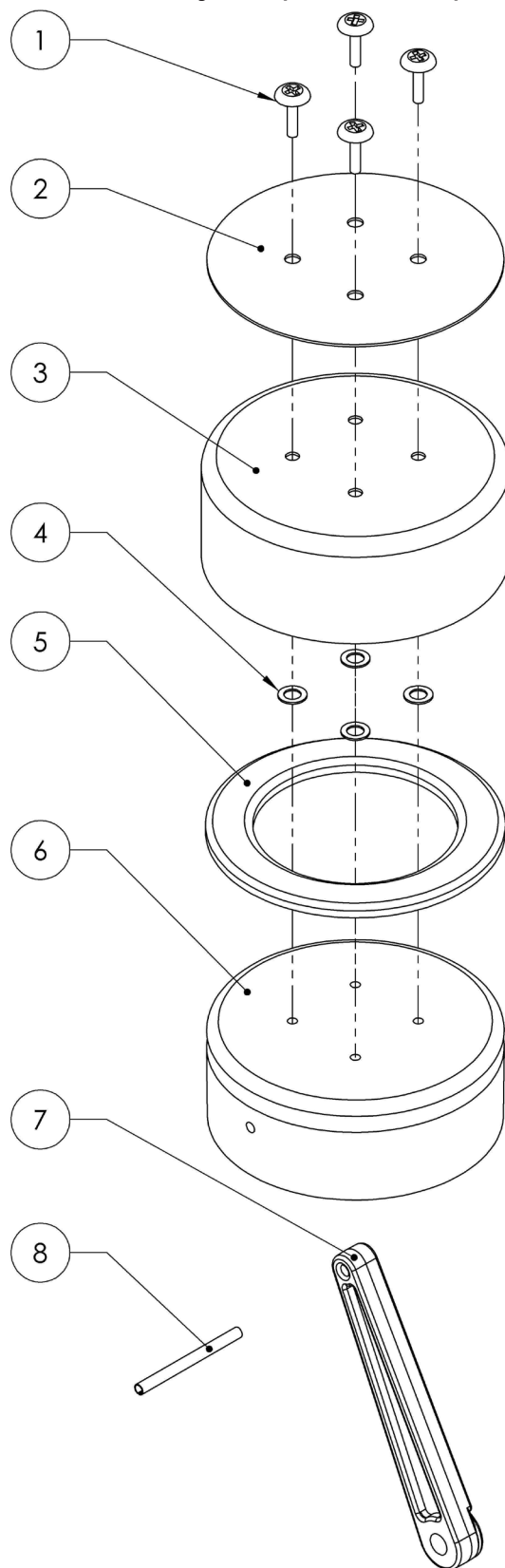




No.	Numéro de pièce	Description	Qté	◇
Piston & cylinder S-A (06SAS101)				
1	99BRE55R	Platinum screen and seal	1	
2	99BRE54R	Platinum screen support	1	
3	99BRE52R	Platinum 9 oz cylinder	1	
4	98SAS137-I	Complete piston 9 oz and rod S-A injecte	1	P.22



Complete piston 9 oz and rod S-A injecte (98SAS137-I)

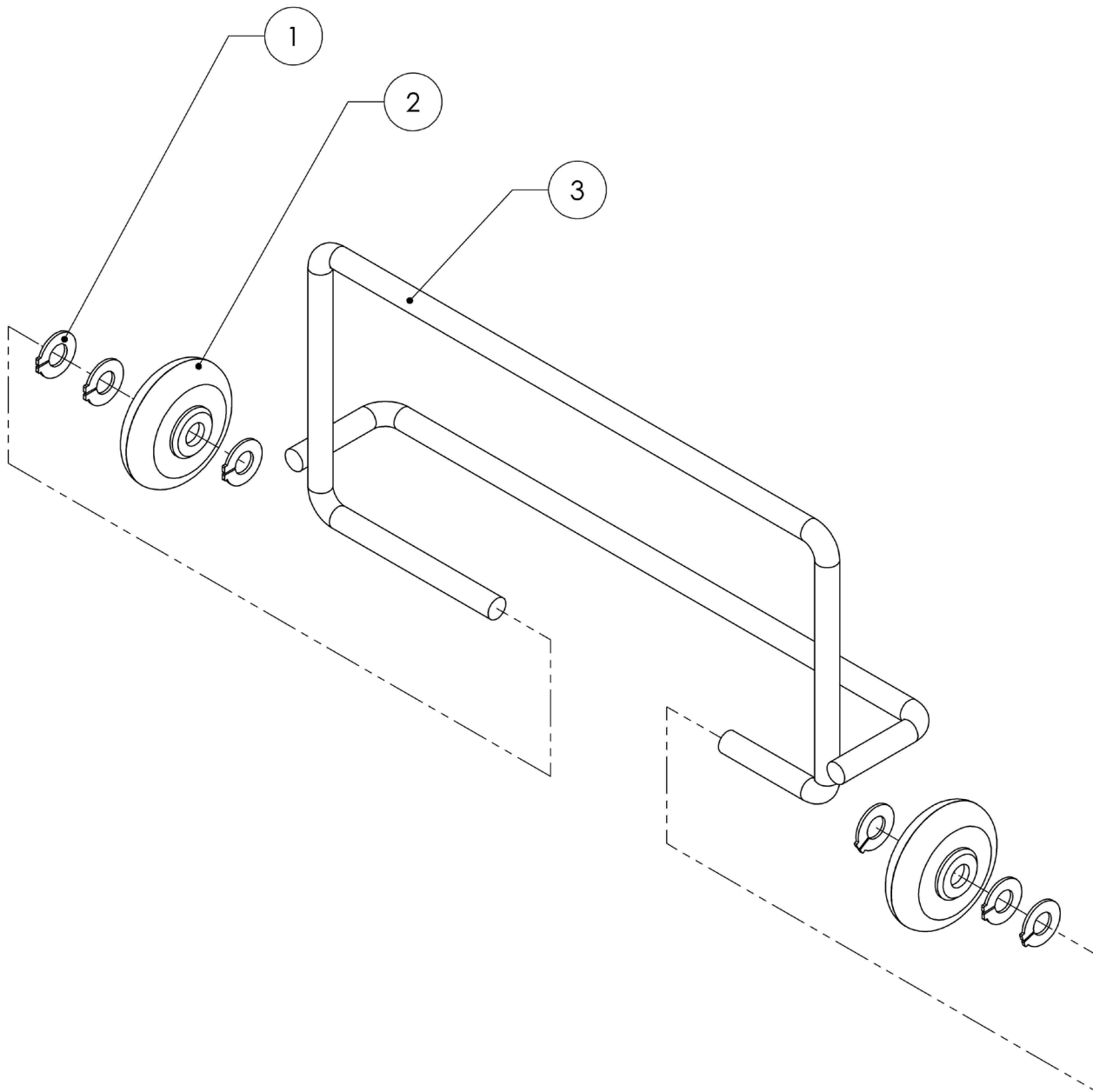




No.	Numéro de pièce	Description	Qté
Complete piston 9 oz and rod S-A injecte (98SAS137-I)			
1	96HAR106	Screw #8 x 1/2 tapped Truss Ph. SS	4
2	98BRE38	Top plate (Platinum)	1
3	98BRE39	Teflon seal	1
4	96HAR107	Viton o'ring .188 x .312 x .062"	4
5	98BRE41	Piston o'ring (Platinum)	1
6	98BRE42-I	Piston 9 oz injected	1
7	98BRE43-I	Piston lever injected	1
8	96HAR40	Coiled spring pin 1/8" x 1 1/2" (SS 420)	1



Yoke S-A (platinum) (06SAS134)

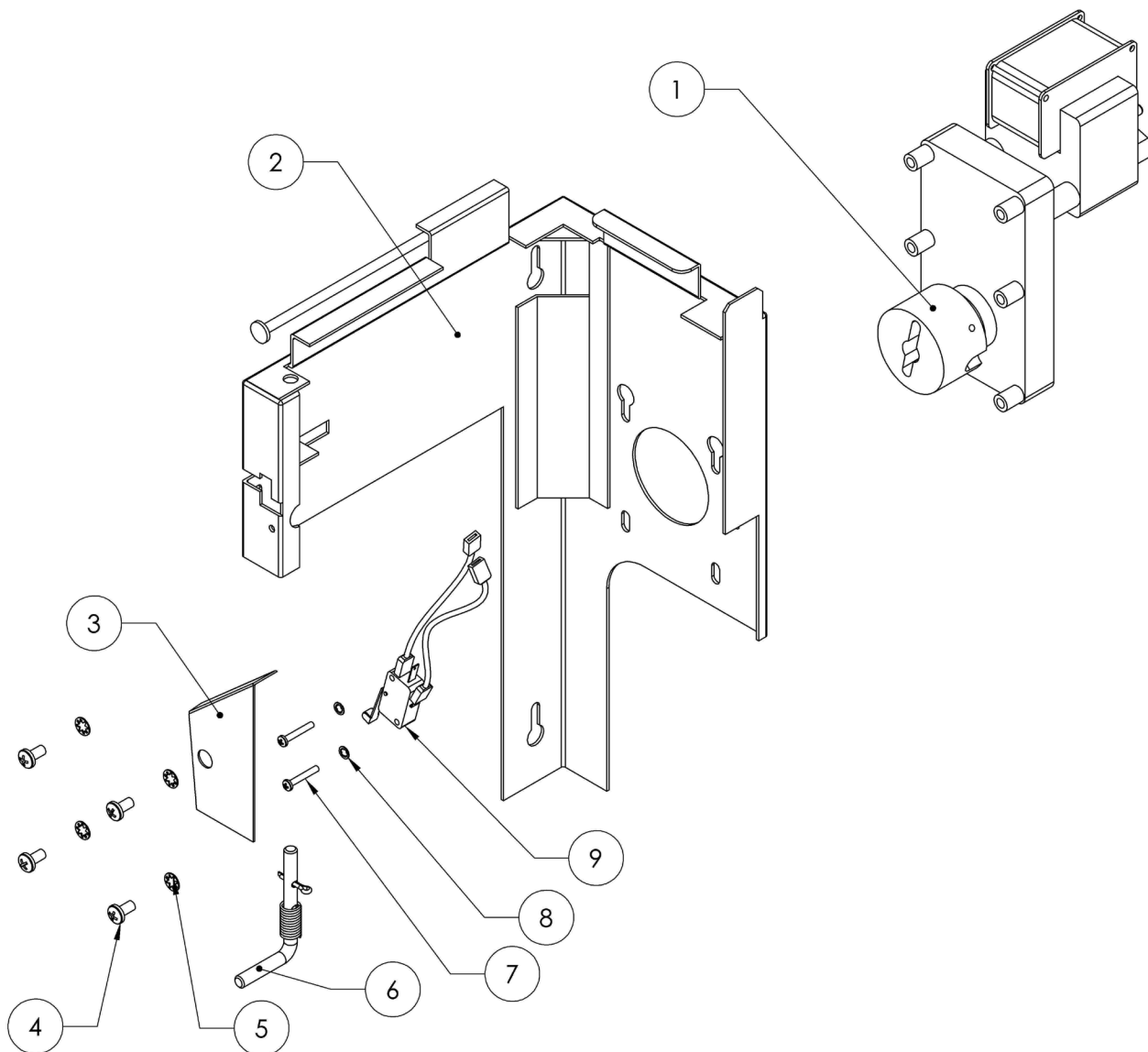
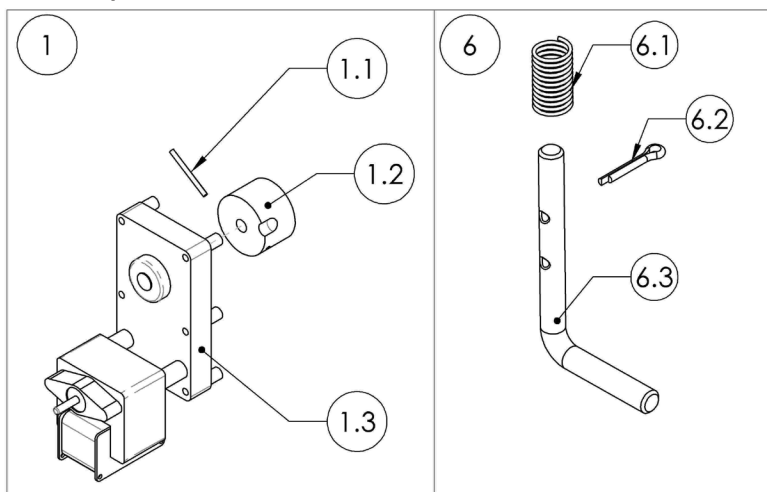




No.	Numéro de pièce	Description	Qté
Yoke S-A (platinum) (06SAS134)			
1	96HAR100	Retaining ring 3/16 (zinc)	6
2	06BRE04	Tape advance wheel	2
3	99BRE02R	Platinum yoke	1



Platinum brewer bracket S-A (96ASS20P)





No.	Numéro de pièce	Description	Qté
Platinum brewer bracket S-A (96ASS20P)			
1	96ASS22	Brewer motor S-A	1
1.1	96HAR40	Coiled spring pin 1/8" x 1 1/2" (SS 420)	1
1.2	96BRM05	Coupling and spring pin(dog driver) kit	1
1.3	96BRM03	Brewer motor	1
2	96BRM01P	Platinum brewer bracket	1
3	96BRM06	Switch protector	1
4	96HAR56	Screw 10-32 x 3/8" Pan Ph. SS	4
5	96HAR19	Tooth lockwasher #10	4
6	96ASS03	Lock S-A (brewer)	1
6.1	96BRM02A	Latch spring	1
6.2	96HAR116	Cotter pin 3/32 x 1/2" SS	1
6.3	96BRM10	Latch	1
7	96HAR02	Screw 4-40 x 3/4" Pan Ph. SS	2
8	96HAR04	Tooth lockwasher #4	2
9	06ASS03	Cam switch S-A with 2 wires	1



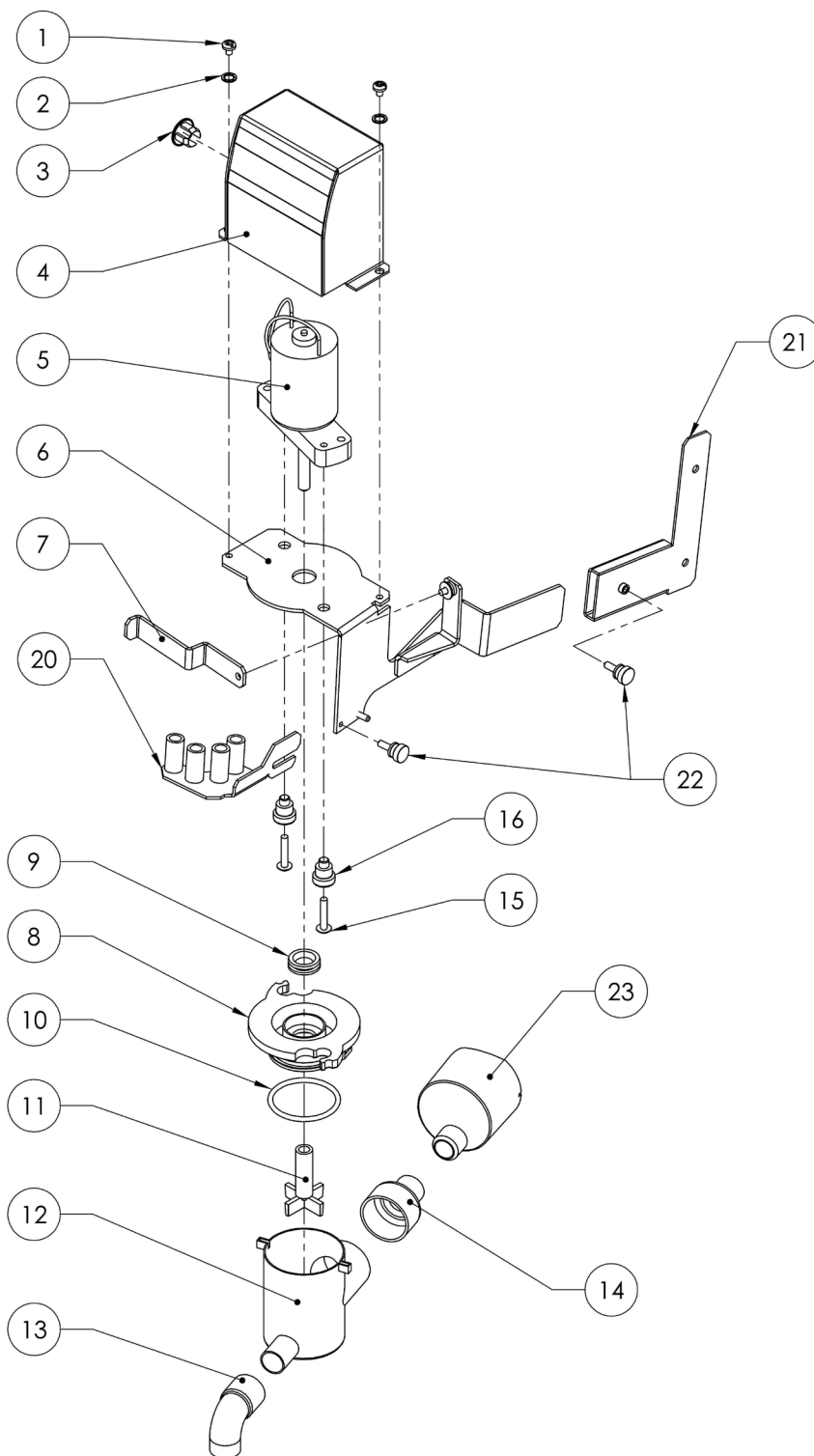
Coffee whipper S-A (UGASS47)

Welded hose support (front part) (10CAB04)

Hose support (rear part) (06CAB06)

6-32 x 3/8" Screw washer face thumb (06HAR03)

Injected spout (04BRE78)

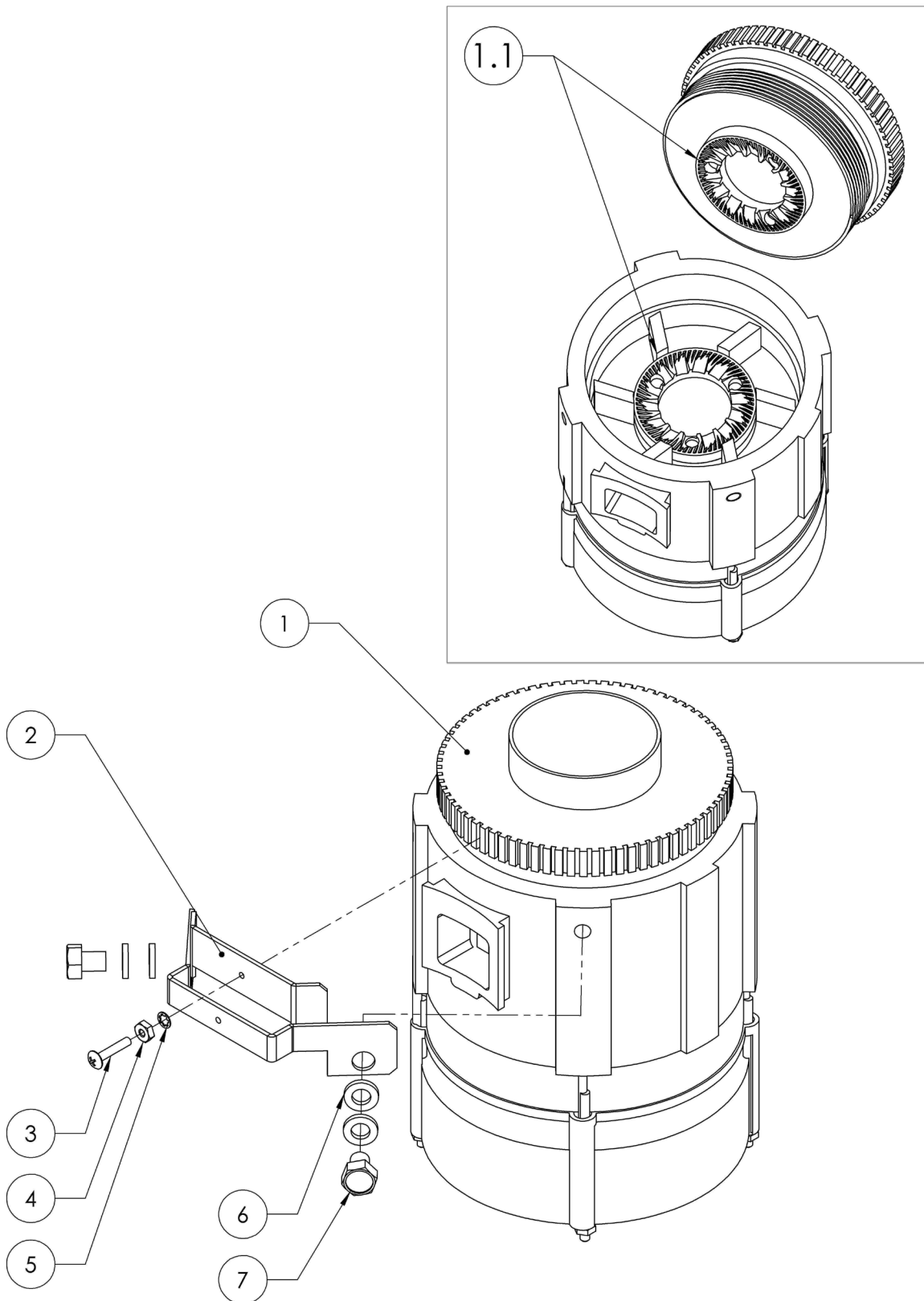




No.	Numéro de pièce	Description	Qté
Coffee whipper S-A (UGASS47)			
1	96HAR20	Screw 8 1/4" Round Ph. SS	2
2	05HAR04	Lockwasher internal ring #8 SS	2
3	08HAR03	7/16 Snap bushing	1
4	UGCAB28	Whipper protector	1
5	07ASS02	Coffee whipper motor S-A	1
6	09CAB05	Avalon hose bracket and corner plat	1
7	PECAB37	Injected spout bra	1
8	03CHO01	Whipper base S-A	1
9	03CHO06	Blender base seal	1
10	03CHO09	Black blender base seal	1
11	06CHO01	Coffee whipper impeller	1
12	03CHO04	Whipping chamber	1
13	06ASS05	Coffee elbow S-A	1
14	UGCHO04	Seal for coffee-whipper	1
15	PEHAR07	6-32 x 3/4" Truss Ph. SS	2
16	03CHO07	Pillar whipper base	2
17	06HAR02	Nylon washer .140 x .312 x .062	1
18	96HAR73	Flat washer .150 x .375 x .032 #6 SS	1
19	96HAR33	1/8" x 3/8" SS rivet	1
20	10CAB04	Welded hose support (front part)	1
21	06CAB06	Hose support (rear part)	1
22	06HAR03	6-32 x 3/8" Screw washer face thumb	2
23	04BRE78	Injected spout	1



Modified grinder S-A (08ASS05)

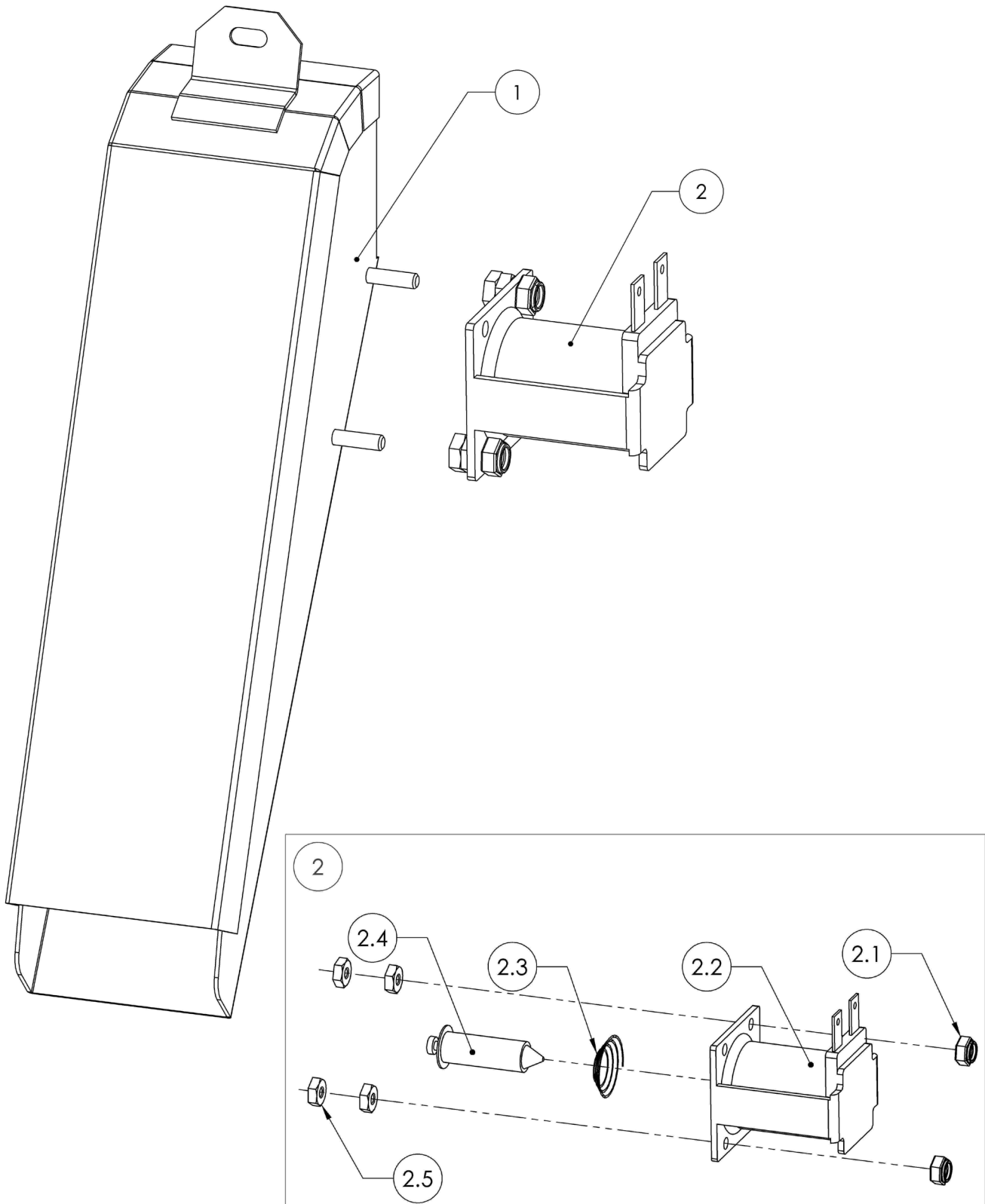




No.	Numéro de pièce	Description	Qté
Modified grinder S-A (08ASS05)			
1	98MOT02M	Short studs modified grinder motor	1
1.1	98MOT04-2	Bean grinder knives (pair)	2
2	07CAB06	Stopper for grinder	1
3	PEHAR07	6-32 x 3/4" Screw Truss Ph. SS	1
4	96HAR09	6-32 Nut Hex SS	1
5	96HAR10	Tooth lockwasher #6	1
6	98HAR03	Spring washer 5/16" x 9/16" SS	4
7	98HAR02	Hexagonal nut 8mm x 1.25 x 10 mm	2



24v solenoide chute S-A (09ASS03)

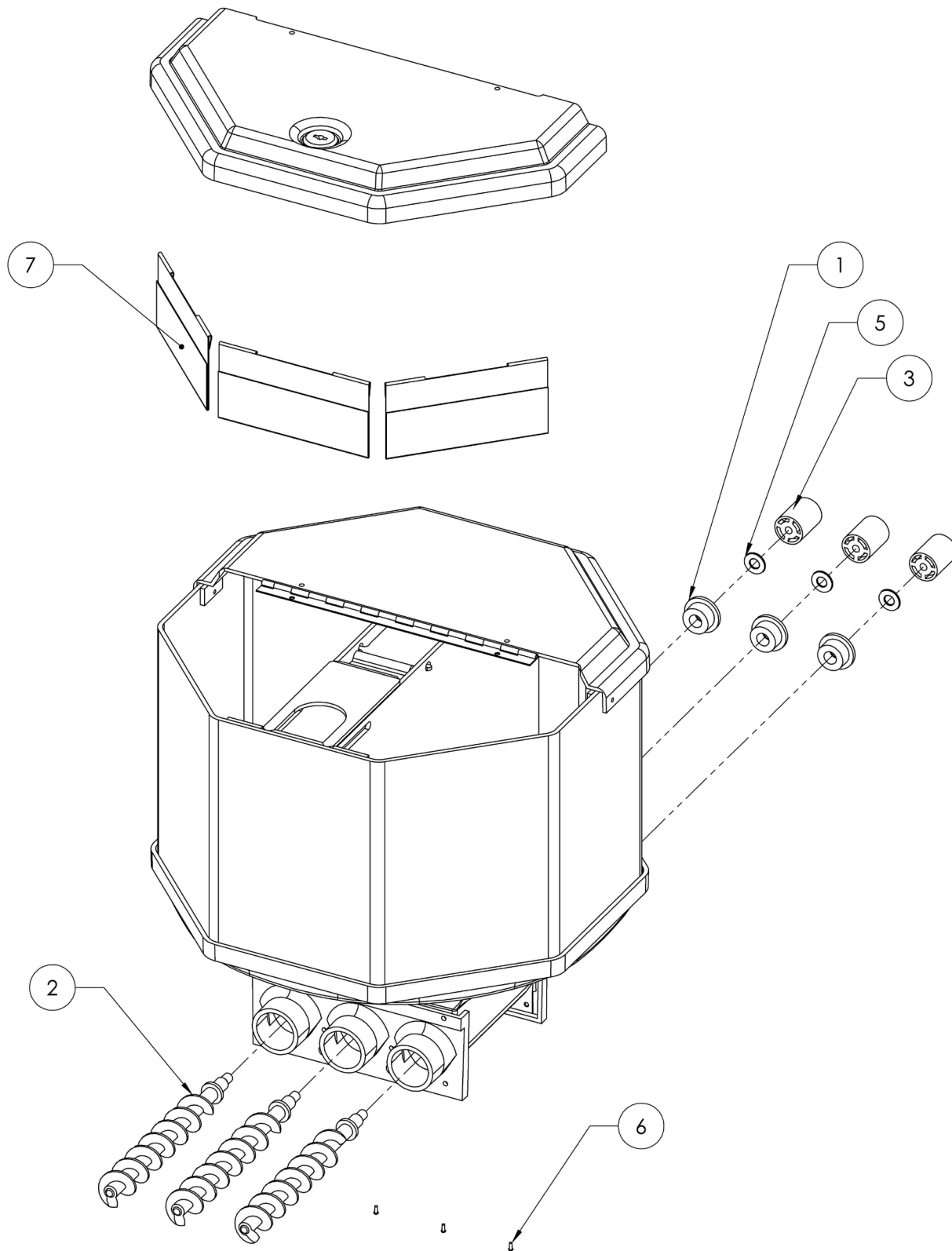




No.	Numéro de pièce	Description	Qté
24v solenoide chute S-A (09ASS03)			
1	09CAB02	Coffee chute longer	1
2	05ACC03	24v DC solenoide kit	1
2.1	96HAR44	Nylon lock nut 6-32	2
2.2	PETAN14	Solenoid DSV11C DC 24V 11W	1
2.3	96TAN40	Spring plunger DSV11 8 OZ	1
2.4	PETAN15	Plunger DSV11C DC	1
2.5	96HAR09	6-32 Nut Hex SS	4



Canister for coffee 3 beans S-A (05ASS26)

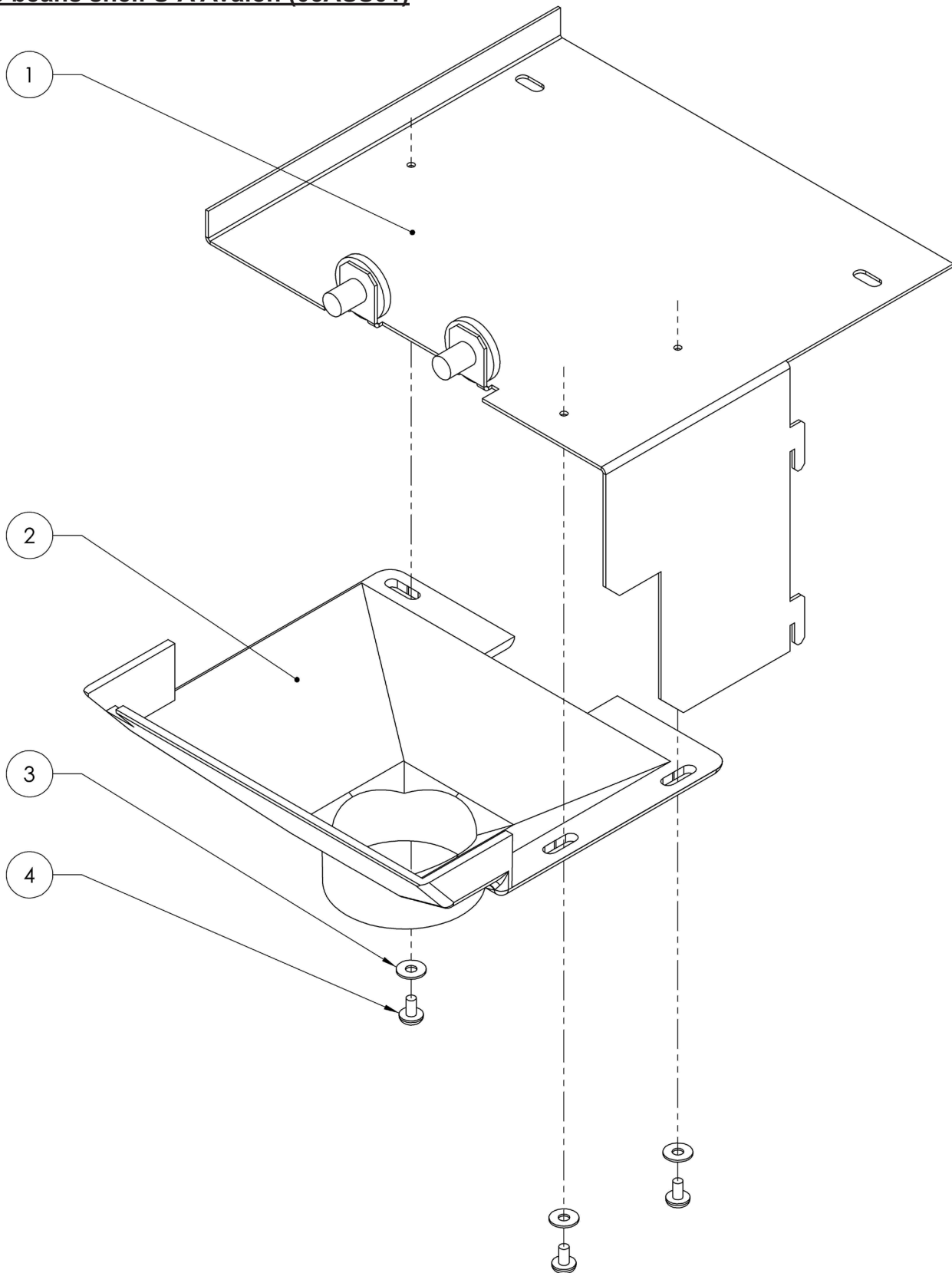




No.	Numéro de pièce	Description	Qté
Canister for coffee 3 beans S-A (05ASS26)			
1	03CAN105	Whole bean hopper bushing	3
2	03CAN02C	Auger assembly 166mm long	3
3	03CAN03	Plastic auger coupling	3
4	04CAN01	3 beans canister's	1
5	96HAR42	Flat washer .285 x .625 x .045 SS	3
6	07HAR02	Vis fausse type "U" 3/16" Rond	3
7	04ACC01	Identification stickers stand for 3b	3



3 beans shelf S-A Avalon (05ASS01)





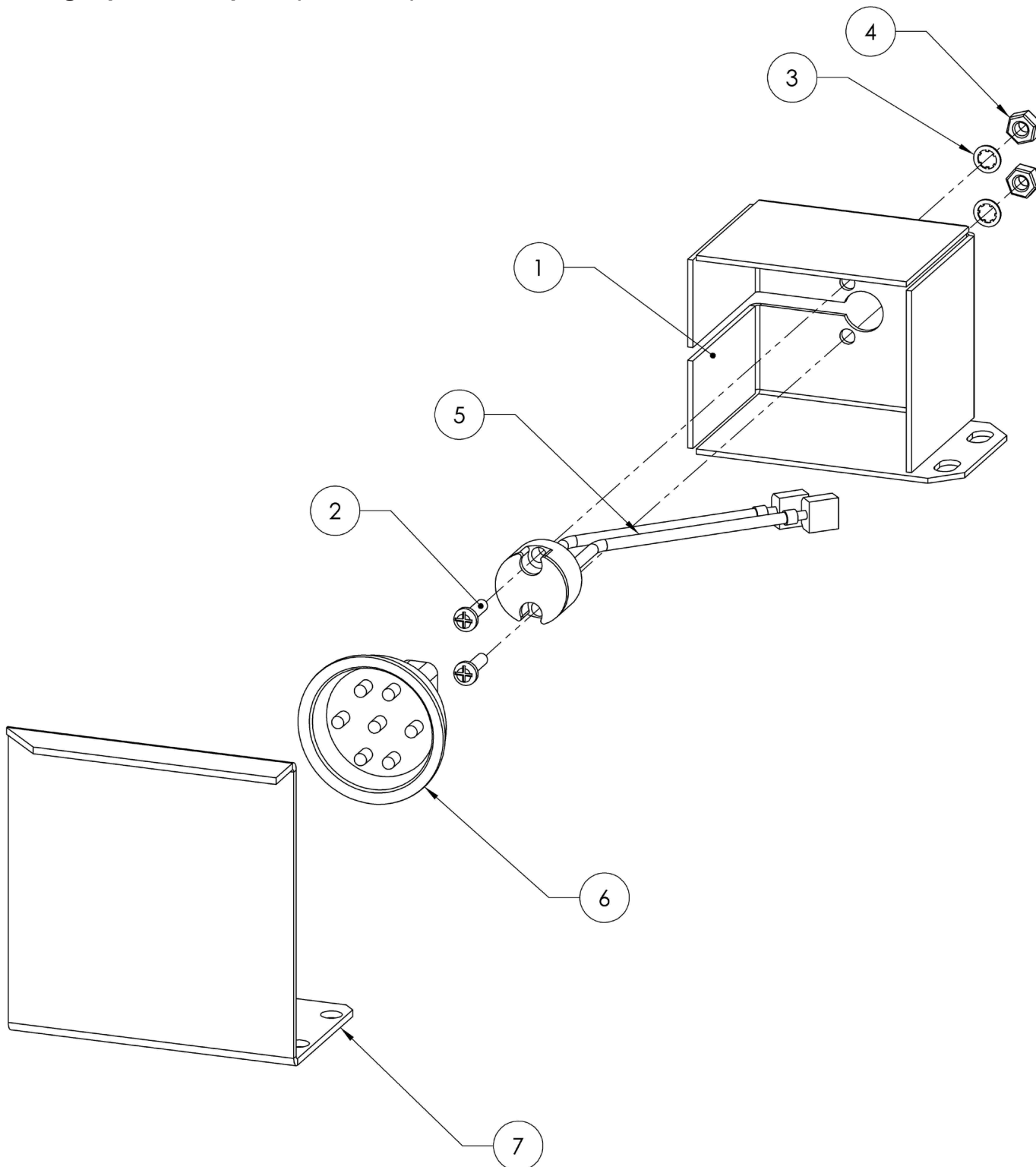
No.	Numéro de pièce	Description	Qté
3 beans shelf S-A Avalon (05ASS01)			
1	05CAB13	3 wholes beans canister's shelf	1
2	PECAN22	Beans plastic chute	1
3	96HAR73	Flat washer .150 x .375 x .032 #6 SS	3
4	96HAR05	6-32 x 1/4" Screw Truss Ph. SS	3



Light bracket S-A (05ASS07)

Del light white 12v (05DOR21)

Light protective plate (05DOR18)

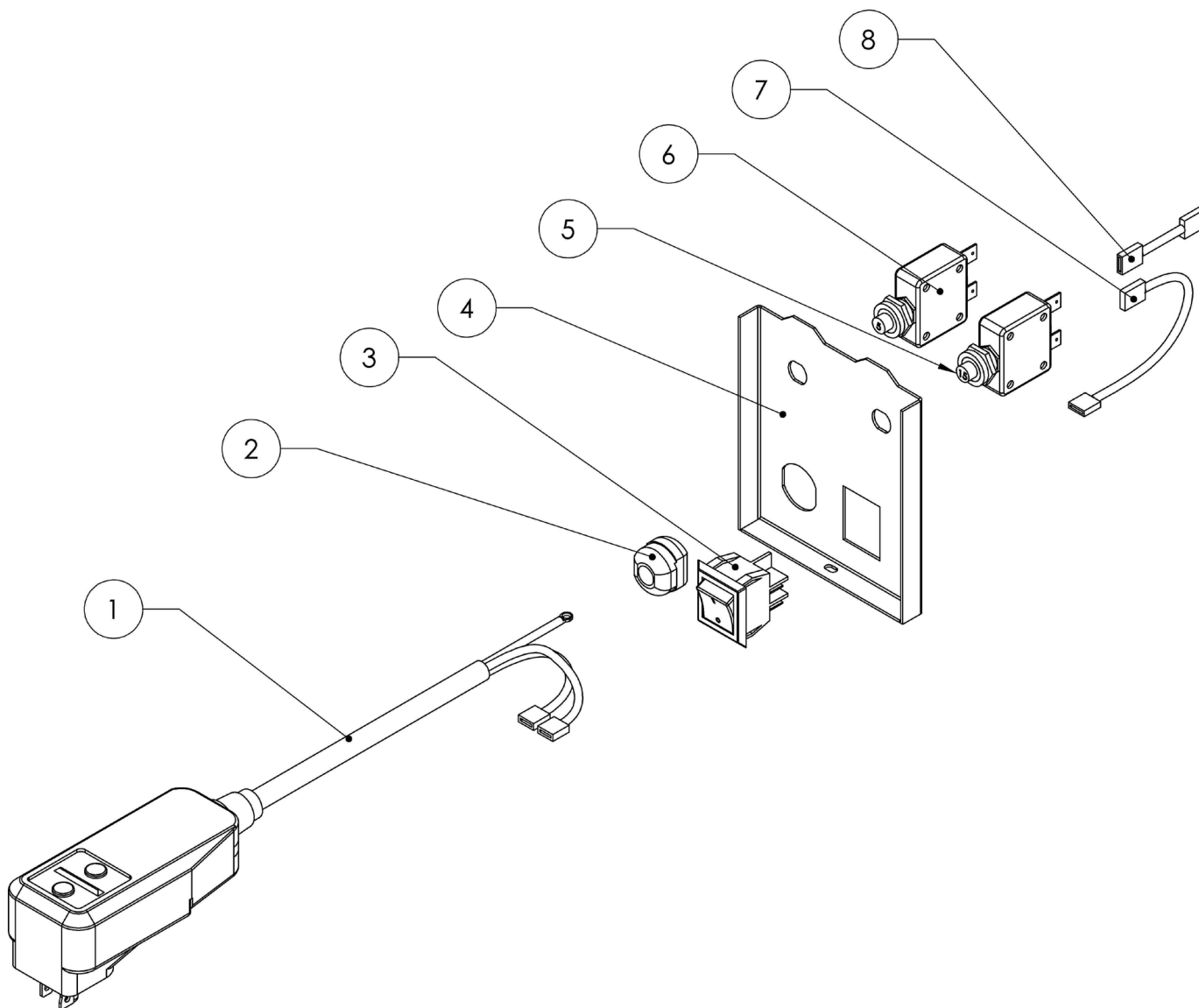




No.	Numéro de pièce	Description	Qté
Light bracket S-A (05ASS07)			
1	05DOR09	Bracket light Avalon	1
2	96HAR01	Screw 4-40 x 5/8" Pan Ph. SS	2
3	96HAR04	Tooth lockwasher #4	2
4	96HAR03	4-40 Nut 1/4" a/f x 3/32" Thick SS	2
5	05ASS06	Connector and socket S-A	1
6	05DOR21	Del light white 12V	1
7	05DOR18	Light protective plate	1



GFCI electric panel S-A Avalon (05ASS45)

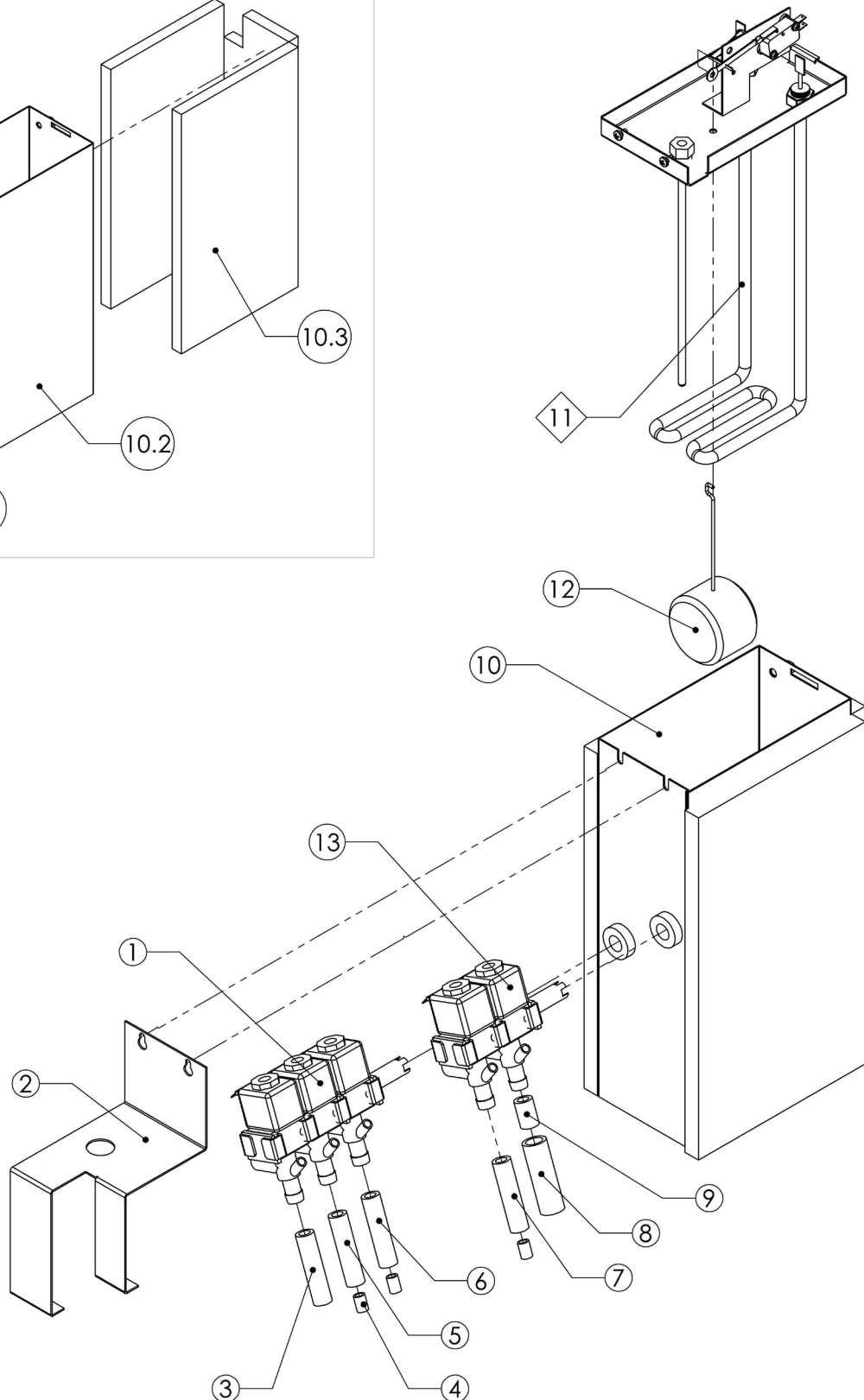
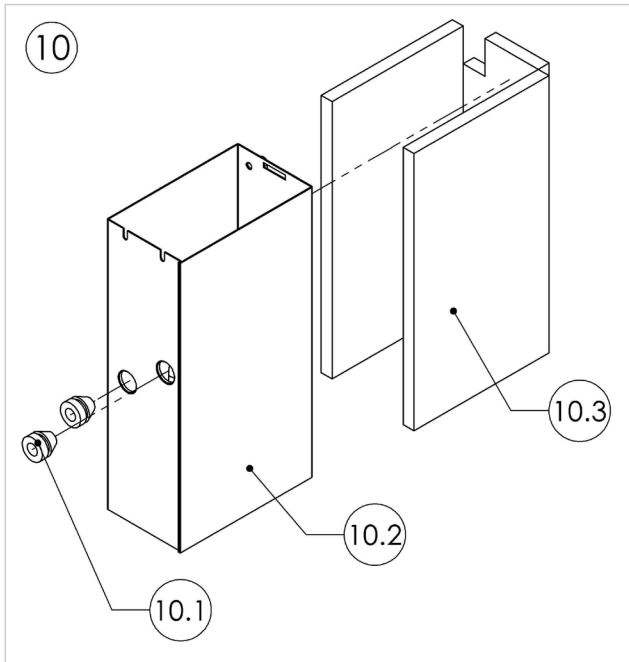




No.	Numéro de pièce	Description	Qté
GFCI electric pannel S-A Avalon (05ASS45)			
1	07ELC01	Power cable	1
2	03HAR32	Strain relief bushing (black) for power	1
3	96ELC07	On/Off switch	1
4	05CAB03	Box electric door	1
5	96ELC13	Breaker 15 amp	1
6	96ELC14	Breaker 5 amp	1
7	03ELC23-A	#30 wire 14ga black 4"	1
8	03ELC23-B	#31 wire 14ga black 4"	1



Gourmet water tank S-A probe (UGASS16)

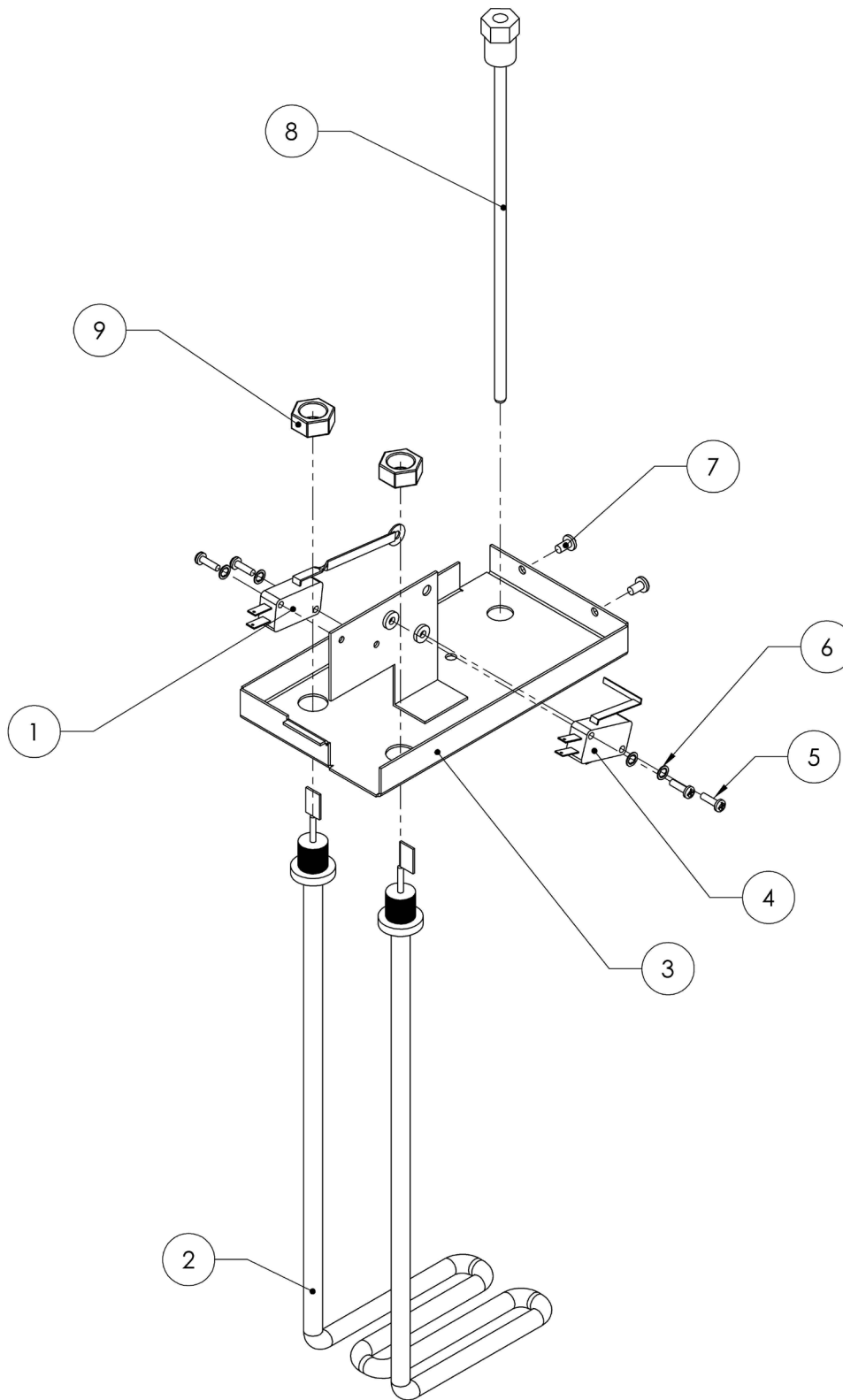




No.	Numéro de pièce	Description	Qté	◇
Gourmet water tank S-A probe (UGASS16)				
1	UGTAN01	Triple outlet valve	1	
2	UGCAB23	Valve support gourmet	1	
3	PETAN34	Hot water hose 27"	1	
4	PECHO08	Soluble's restriction.194 x .312 x .437	3	
5	99TAN08	Hose 11 1/4"	1	
6	04TAN10	Outlet water chocolate hose 12 1/8"	1	
7	UGTAN24	Inlet soluble hose 9"	1	
8	05TAN33	Brown coffee hose 14 3/4 "	1	
9	06TAN02	Hose 3/4" spacer S-A	1	
10	07ASS08	3 sides isolated tank S-A	1	
10.1	PETAN05	Conical mounting seal "8" for valve DN8	2	
10.2	08TAN04	Hot water tank with diffuser	1	
10.3	08TAN03	3 sides insulant	1	
11	09ASS18	Improved water tank lid S-A	1	P.44
12	96ASS15	Hot water tank float S-A	1	
13	PETAN07B	Double outlet valve	1	



Improved water tank lid S-A (09ASS18)

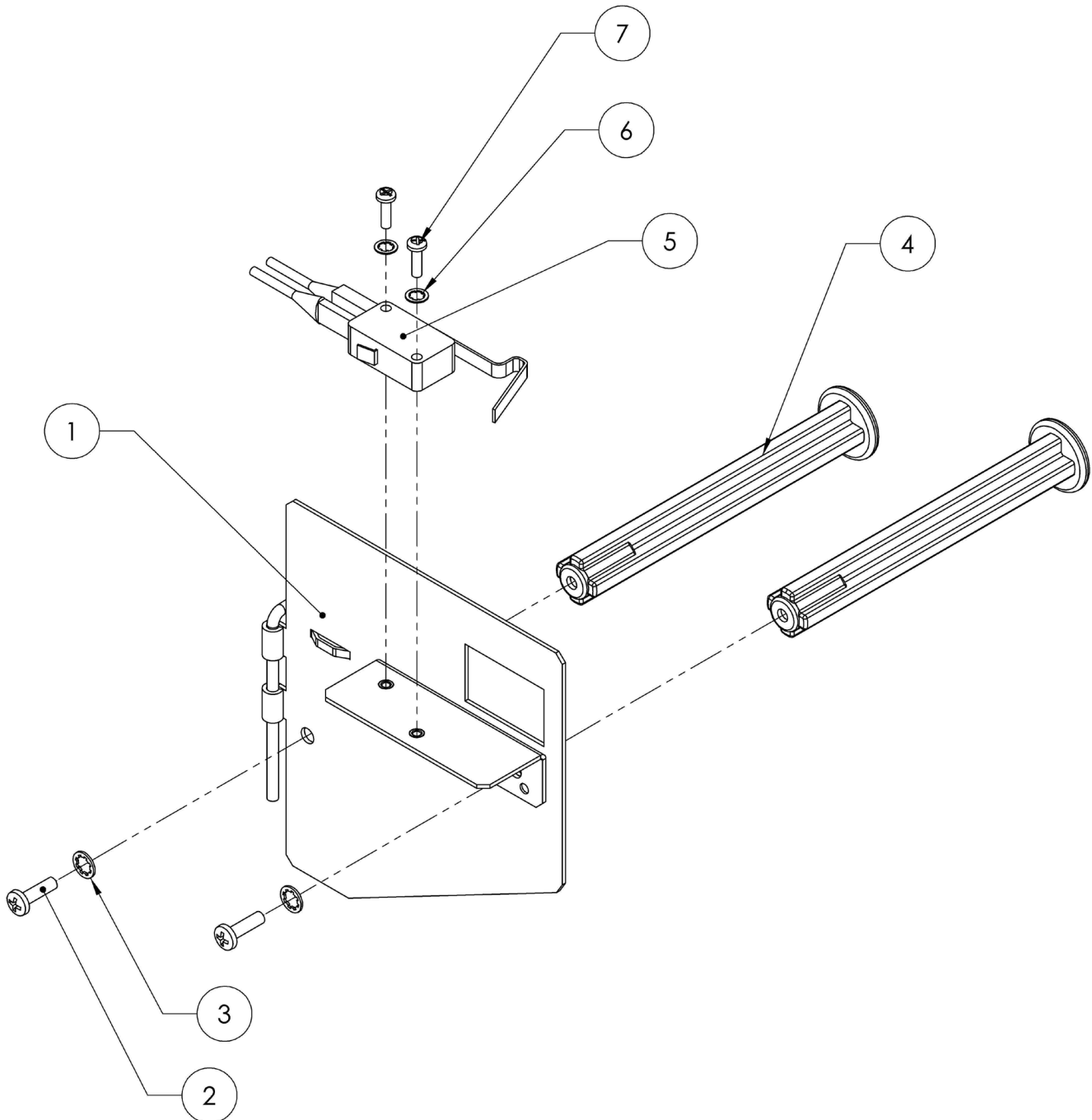




No.	Numéro de pièce	Description	Qté
Improved water tank lid S-A (09ASS18)			
1	96ASS09	Water level switch S-A	1
2	PETAN03	Element 1250w short	1
3	09TAN02	Short hot water tank lid	1
4	96ELC06	Heater safety switch S-A	1
5	96HAR01	Screw 4-40 x 5/8" Pan Ph. SS	4
6	96HAR04	Tooth lockwasher #4	4
7	SBHAR51	Screw 6-32 x 1/4" Pan Ph SS	2
8	03ASS01	Probe and connector S-A	1
9	96TAN05	Nut 1/2"-20 SS Thin	2



Switch paper bracket S-A (08ASS02)

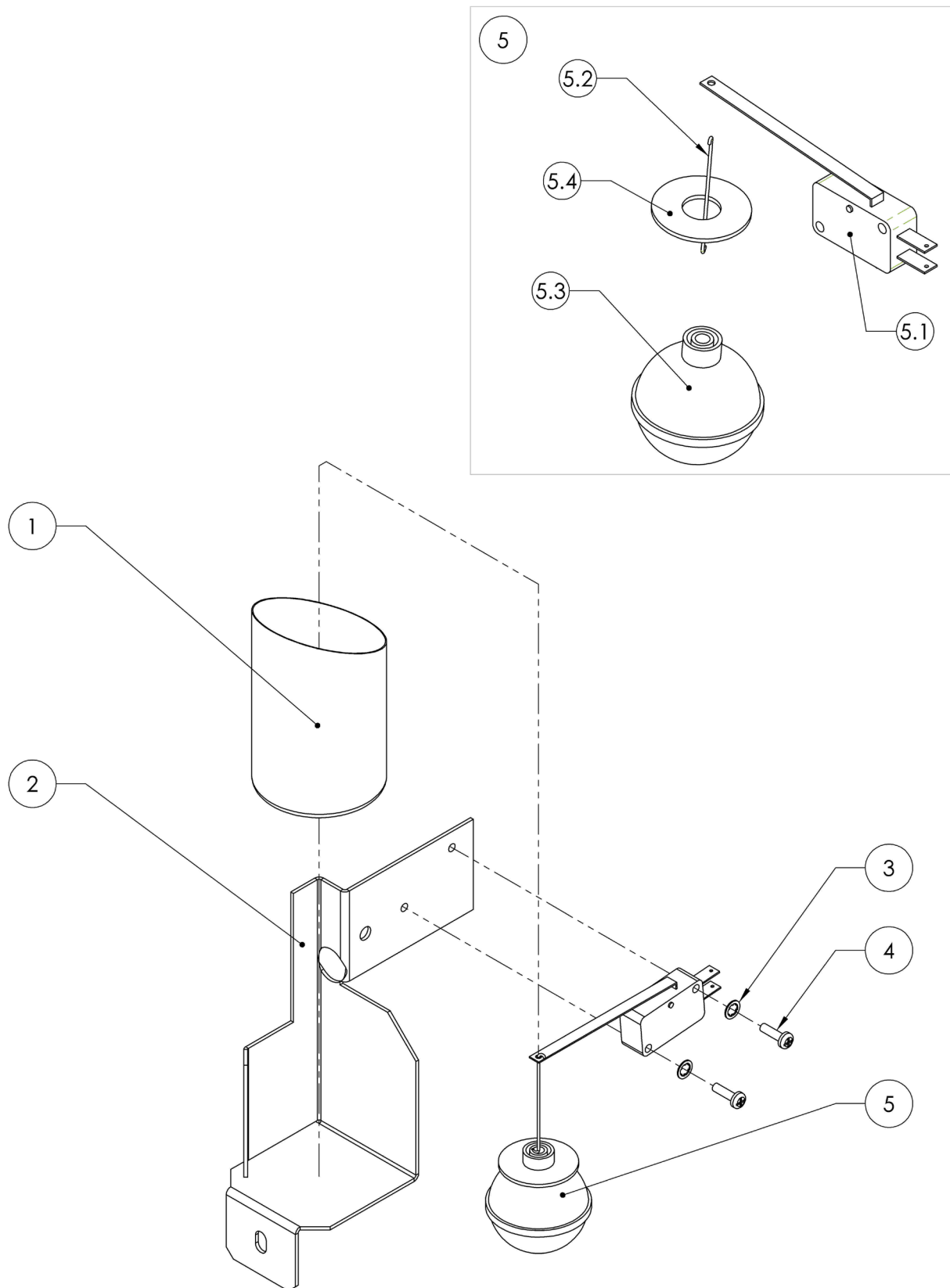




No.	Numéro de pièce	Description	Qté
Switch paper bracket S-A (08ASS02)			
1	08CAB04	Paper filter holder bracket	1
2	03HAR04	Screw #10 x 1/2" Pan Ph. High-Low zinc	2
3	05HAR04	Lockwasher internal ring #8 SS	2
4	03CAB06	Injected filter paper rod	2
5	09ASS04	Paper switch + wires S-A	1
6	96HAR04	Tooth lockwasher #4	2
7	96HAR01	Screw 4-40 x 5/8" Pan Ph. SS	2



Tank overflow bracket S-A (05ASS46)

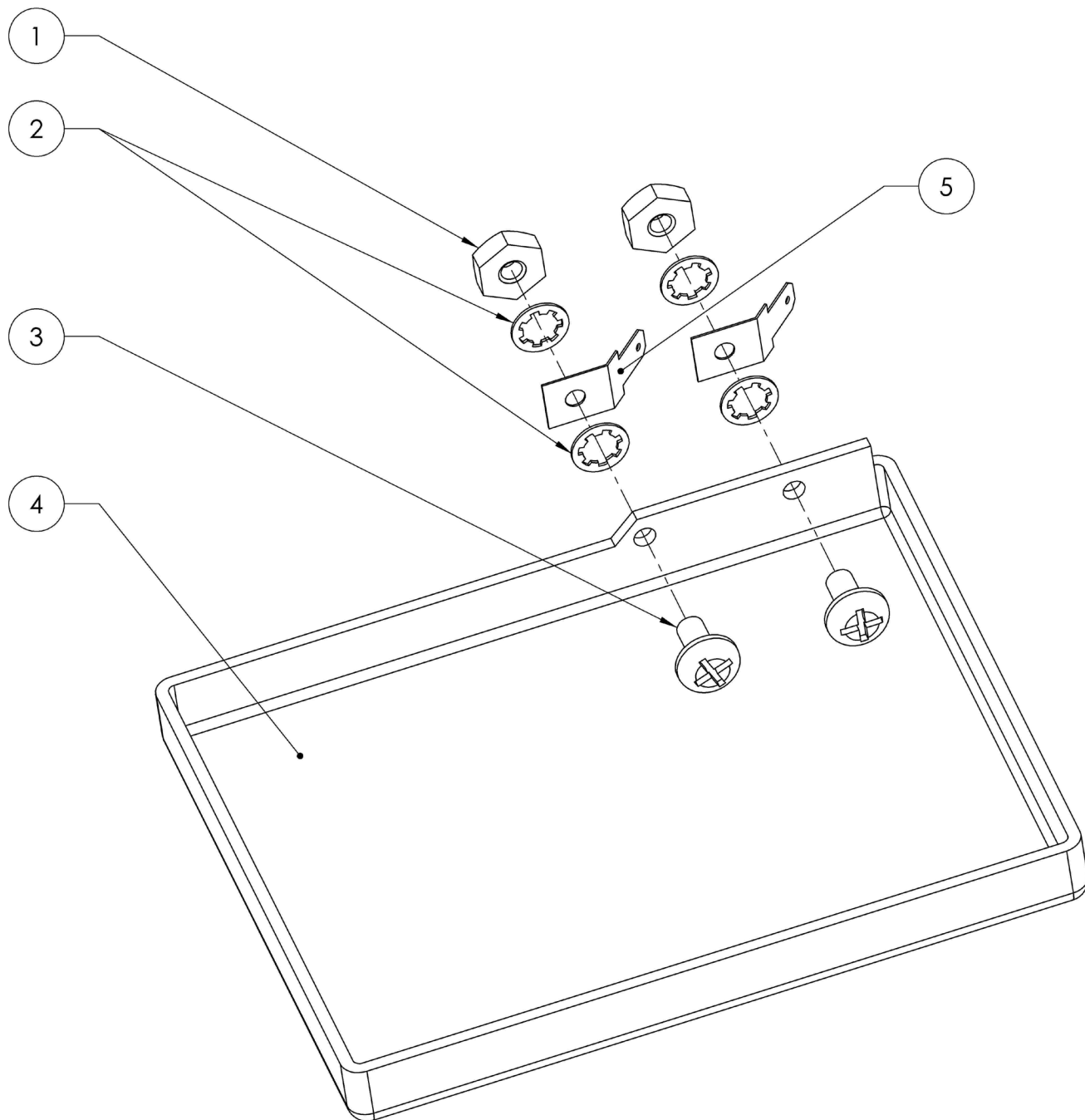




No.	Numéro de pièce	Description	Qté
Tank overflow bracket S-A (05ASS46)			
1	96TAN19	Overflow cup	1
2	05CAB05	Tank overflow bracket Avalon	1
3	96HAR04	Tooth lockwasher #4	2
4	96HAR01	Screw 4-40 x 5/8" Pan Ph. SS	2
5	96ASS17	Overflow float S-A	1
5.1	96ELC04	Overflow safety switch S-A	1
5.2	96TAN20	Float hook stainless rod	1
5.3	96TAN18	Small float	1
5.4	96HAR104	Flat washer .390 x 1.00 x .047 SS	1



Overflow tray S-A (05ASS30)

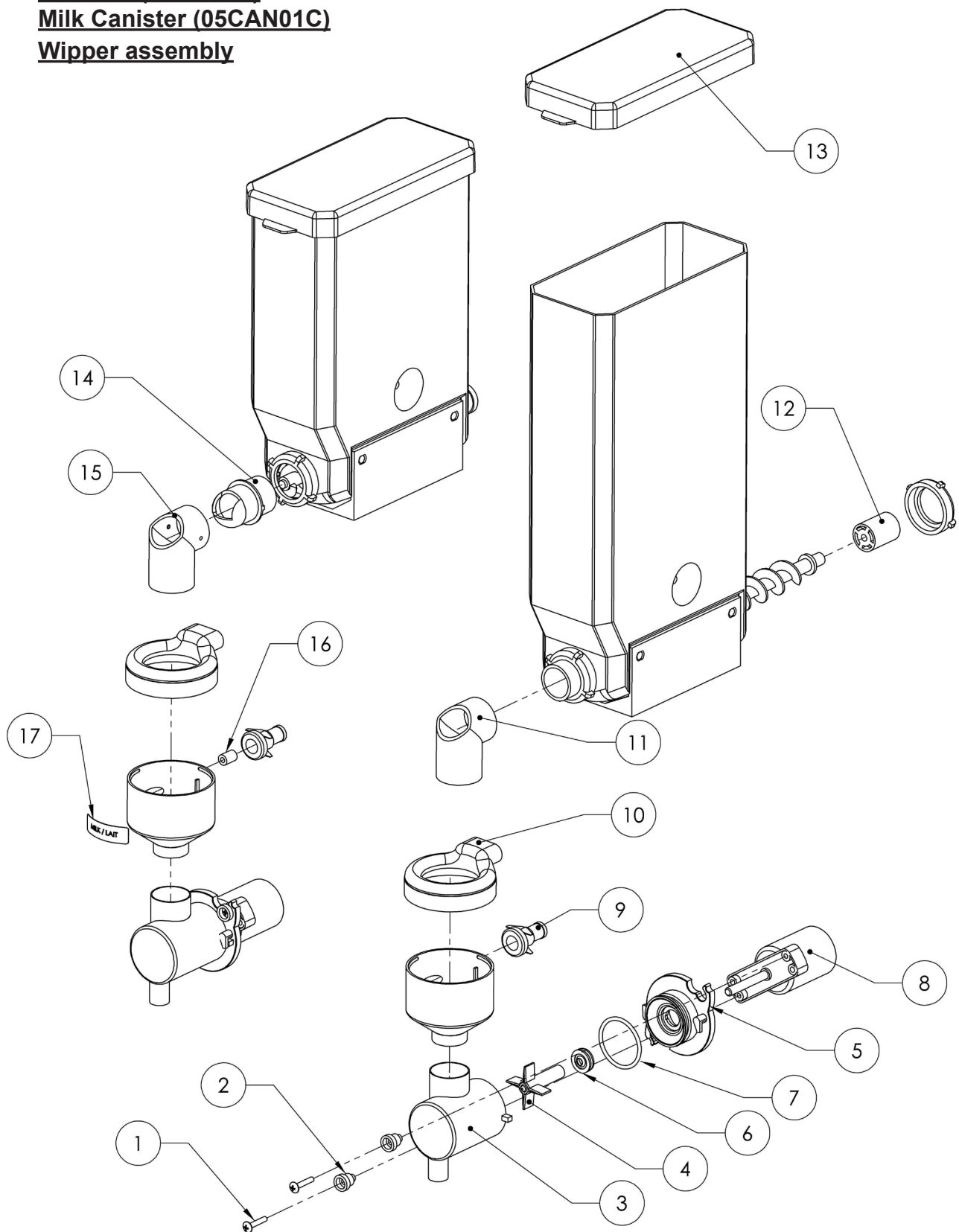




No.	Numéro de pièce	Description	Qté
Overflow tray S-A (05ASS30)			
1	96HAR09	6-32 Nut Hex SS	2
2	96HAR10	Tooth lockwasher #6	4
3	96HAR05	6-32 x 1/4" Truss Ph. SS	2
4	05CAB21	Plastic overflow tray	1
5	96HAR77	Quick fit rivet 45 degrees	2



Canister (05CAN02)
Milk Canister (05CAN01C)
Wipper assembly



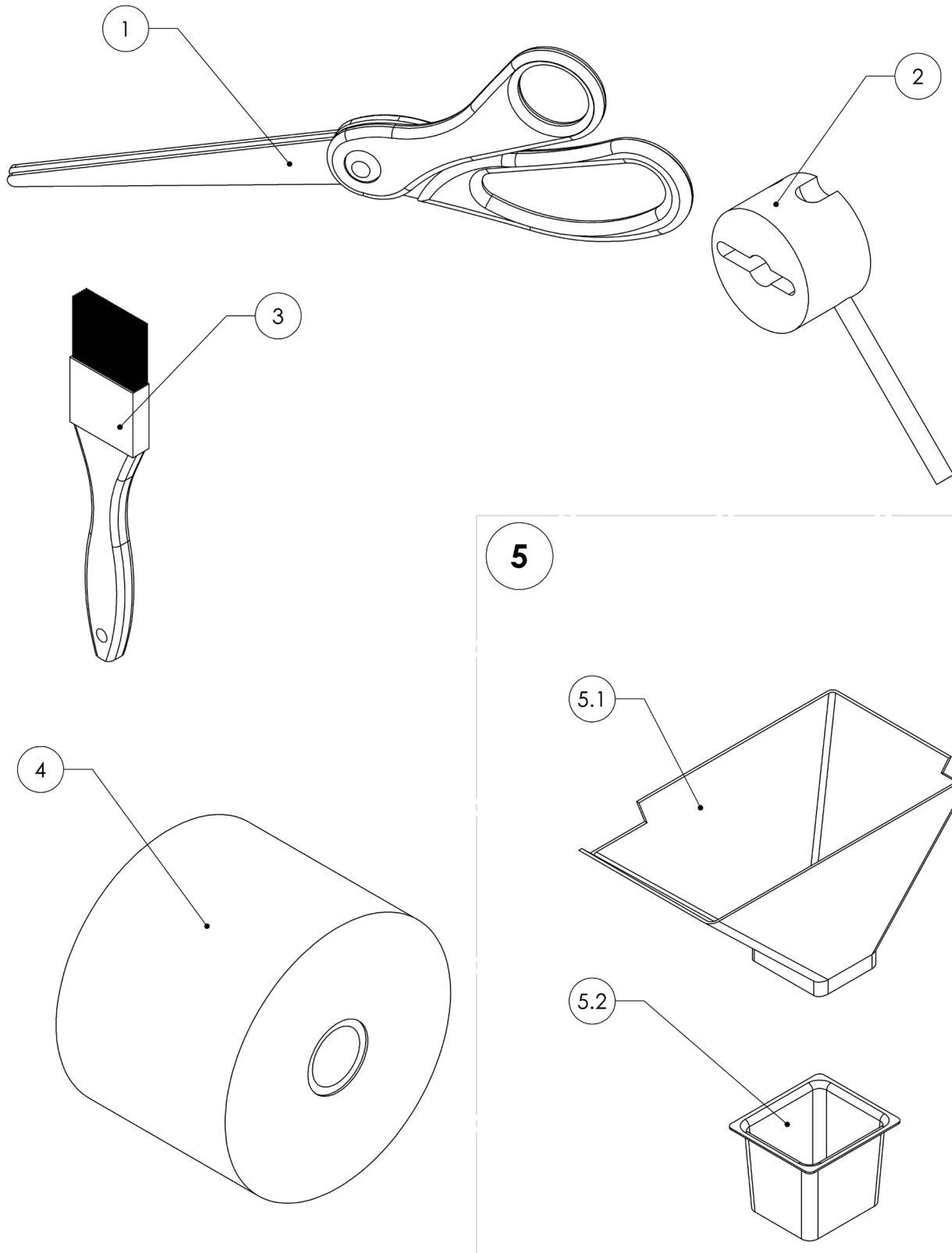


No.	Numéro de pièce	Description	Qté
Canister (05CAN02)			
Wipper assembly			
1	PEHAR07	6-32 x 3/4" Screw Truss Ph. SS	9
2	03CHO07	Pillar whipper base	8
3	03CHO04	Whipping chamber	4
4	03CHO02	Whipper impeller	3
5	03CHO01	Whipper base S-A	4
6	03CHO06	Blender base seal	4
7	03CHO09	Black blender base seal	4
8	PECHO05	24v whipping motor with amp plug	3
9	PECHO11	Bowl adaptor	3
10	PECHO12	Funnel cover	3
11	PECAN21	Elbow 38 x 53 mm ventilated	2
12	03CAN03	Plastic auger coupling	4
13	05CAN08	Couvercle	2

Milk Canister (05CAN01C)			
Milk Wipper assembly			
	03CHO11	Window spout kit for canister	
14	03CHO10	Window spout for canister	1
15	PECAN21M	Modified elbow 38 x 53 mm ventilated	1
	GOACC01	Gourmet milk funnel restriction kit	1
16	09CHO08	Restriction for milk .156 x .319 x .500	1
17	10LAB01	"lait/milk" funnel label	1



Accessories





No.	Numéro de pièce	Description	Qté
1	05ACC02	Stainless steel cisors	1
2	99ACC07	Brewer turning tool	1
3	04ACC04	Brush	1
4	99CAB29R	Avalon filter paper roll 106 platinum	1
5	05ACC04	Chute kit	1
5.1	05CAB25	Plastic chute avalon	1
5.2	PECAB17	Square chute	1



Hardware

Numéro de pièce	Description
01HAR17	1/8 x 1/4" aluminium rivet
03HAR04	Screw #10 x 1/2" Pan Ph. High-Low zinc
96CAB19	Leveling glide (3/8-16 x 1 1/2) chromed
96DOR22	Plastic hook
96HAR04	Tooth lockwasher #4 (internal)
96HAR10	Tooth lockwasher #6 (internal)
96HAR100	Retaining ring 3/16 (zinc)
96HAR105	Large bushing
96HAR107	Viton o'ring .188 x .312 x .062"
96HAR113	Spring pin 3/32 x 5/8
96HAR117	Main frame small bushing
96HAR15	Tooth lockwasher #8 (externe)
96HAR19	Tooth lockwasher #10 (internal)
96HAR26	Nylon hose clamp 2323 (white)
96HAR27	Decklips
96HAR28	Fixation posts 6-32 x 1/4" long
96HAR29	Fixation posts 6-32 x 1" long
96HAR31	Snap bushing 1" with hole
96HAR35	Rubber plug bumper button type (door)
96HAR38	Pushnut 5/16" id
96HAR44	Nylon lock nut 6-32
96HAR69	Cable tie mounting platform
98BRE05	Extension spring (platinum)
98BRE28	Cam follower (platinum)
98BRE67	Left side lift spring (platinum)
98BRE68	Right side lift spring (platinum)
98HAR02	Hexagonal nut 8mm x 1.25 x 10 mm
98HAR85	Rubber grommet 5/16 x 1/2
98HAR86	Nut 4mm 0.70 zinc gr: 8.8
99HAR05	Quad rubber grommet 1/2 x 3/4
99HAR13	Shoulder washer for slot money
03HAR32	Strain relief bushing (black) for power
03HAR30	Drain hose plug (1/4 i.d.)
PEHAR01	Thread-rolling screw 6-32 x 1/4 Pan Ph. z
PEHAR02	Thread rolling screw 8-32 x 3/8 Pan Ph. z



PEHAR12	Rubber grommet 1/2 x 13/16 x 5/16
96HAR164	Shoulder washer (# 121c)
UGHAR05	Fixing post .140 x .250 x .687
04HAR04	1/8" x 3/8" aluminum rivet
06ASS01	S-A nylon strap 2 cm x 24 cm
06HAR02	Nylon washer .140 x .312 x .062
06HAR09	Nylon hose clamp (ho 08)
07HAR10	Threaded anti-vibration mount
08HAR03	7/16 snap bushing
03HAR02	Machine screw Pan M4x8mm SS
96BRE56	Nut 3/8"-24 x 7/32" thick SS
96HAR01	Screw 4-40 x 5/8" Pan Ph. SS
96HAR02	Screw 4-40 x 3/4" Pan Ph. SS
96HAR03	4-40 nut 1/4" a/f x 3/32" thick) SS
96HAR05	Screw 6-32 x 1/4" Truss Ph. SS
96HAR06	Screw 6-32 x 3/8 Long-Truss Ph. SS
96HAR07	Screw 6-32 x 1/2" Truss Ph. SS
96HAR08	Screw 6-32 x 1 1/2" Pan Ph. SS
96HAR09	6-32 nut Hex SS
96HAR101	Screw 8-32 x 3/8" Round Ph SS
96HAR102	Hex 10-24 locknut nylon insert & SS
96HAR103	Spring pin 1/8 x 7/8 SS
96HAR104	Flat washer .390 x 1.00 x .047 SS
96HAR106	Screw #8 x 1/2 tapped Truss Ph. SS
96HAR108	Flat washer .203 x .437 x .032 SS
96HAR110	Spring pin 3/16 x 1 1/4 SS
96HAR111	Taper pin #4/0 x 3/4 SS
96HAR114	Screw 6-32 x 5/8" Pan Ph. SS
96HAR116	Cotter pin 3/32 x 1/2" SS
96HAR124	Flat washer #8 .170 x .375 x .032 SS
96HAR125	Flat washer .265 x .500 x .030 SS
96HAR126	Screw 8-32 x 5/16" Pan Ph. SS
96HAR33	1/8" x 3/8" SS rivet
96HAR40	Coiled spring pin 1/8" x 1 1/2" SS 420
96HAR42	Flat washer .285 x .625 x .045 SS
96HAR45	Nylon lock nut 10-32 Hex SS



96HAR49	Screw 8-32 x 1/2" Truss Ph SS
96HAR50	Metal screw #8 x 3/4" Truss Ph SS
96HAR56	Screw 10-32 x 3/8" Pan Ph SS
96HAR73	Flat washer .150 x .375 x .032 #6 SS
98BRE57	Adjusting nut 3/8-24 (platinum)
98HAR03	Spring washer 5/16" x 9/16" SS
98HAR07	Screw # 8 x 3/8" Pan Ph. SS
SBHAR121	Slotted spring pin 1/8" x 3/8" SS
SBHAR51	Screw 6-32 x 1/4" Pan Ph. SS
PEHAR06	Screw 6-32 x 3/16 SS Pan Ph. tooth loc
PEHAR07	6-32 x 3/4" Truss Ph. SS
96DOR19-B	Machine screw 6-32 x 1/4" Ph. SS
96TAN05	Nut 1/2"-20 SS thin
05HAR07	Machine screw 6-32 x 1/2" Ph. SS
06HAR116	Spring washer #6 SS
05HAR04	Lockwasher internal ring #8 SS
06HAR03	6-32 x 3/8" screw washer face thumb
07HAR02	Vis fausse type "u" 3/16" Ronde SS
08HAR02	Screw 6-32 x 1" Truss Ph. SS
08HAR17	Screw 6-32 x 3/16" Pan Ph. SS
10HAR01	3/8" SS hose clamp



Tubing

Numéro de pièce	Bulk tube #	Description	Longueur
06TAN02	96VRA09	Hose 3/4" spacer S-A	3/4"
99TAN08	96VRA09	Hose 11 1/4"	11 1/4"
PETAN32	96VRA09	Garbage hose (cap 1/4) 30"	30"
PETAN34	96VRA09	Hot water hose 27"	27"
04TAN10	96VRA09	Outlet water chocolate hose 12 1/8"	12 1/8"
05TAN33	96VRA11	Brown coffee hose 14 3/4 "	14 3/4"
05TAN08	96VRA10	Inlet clear water hose (cross) 17 1/2 "	17 1/2"
05TAN10	96VRA09	S-A hose 13"	13"
05TAN13	96VRA12	Overflow hose (clear pvc) 22 "	22"
05TAN35	96VRA09	S-A hose 16"	16"
UGCAB07	05VRA01	S-A cage fan-y flexible hose 15 3/4	15 3/4"
UGCAB08	05VRA01	S-A y-cages flexible hose 11"	11"
UGTAN10	96VRA09	Soluble #1 outlet hose 15"	15"
UGTAN24	96VRA09	Inlet soluble hose 9"	9"
05TAN02	96VRA11	Ventilation drain hose 17"	17"
06TAN01	96VRA09	Element protector (shipping) 1 1/4"	1 1/4"

Tubing available in bulk

Numéro de pièce	Longueur
96VRA09	100'
96VRA10	100'
96VRA12	100'
05VRA01	164'