



Setup and Operations Manual



Safety

OPERATION

Before operating game, read this manual. Failure to properly install and operate this game could result in malfunction or accident. Operate the game in accordance with the manual.

TRANSPORTING

The cabinet is very heavy. Because the monitor is high, the cabinet is also very top-heavy. Use appropriate care when moving or transporting cabinet. It contains fragile glass and electronic components. Avoid rough handling.

HANDLING COMPONENTS

Many components are extremely sensitive to handling, environmental and Electrostatic Discharge (ESD) events—especially the computer. Do not handle it roughly. Before servicing, call your distributor and inquire about the PC warranty. Use proper ESD procedures when servicing. Protect components from harmful environmental conditions, such as extreme temperatures, excessive moisture or other damaging effects.

DISCONNECT POWER

Always turn the power off and unplug the unit before servicing or making adjustments unless otherwise instructed. Installing or repairing components while power is on can damage the components and void the warranty.

GROUNDING

Avoid electrical shock. Do not plug in AC power until you have inspected and properly grounded the unit. Only plug into a grounded, three-wire outlet. Do not use a “cheater” plug or cut off the ground pin on the line cord.

ELECTRICAL SHOCKS

There is no isolation transformer in the cabinet. Disconnect AC power before servicing. However, be aware that lethal voltages can remain in the electronic components even when AC power is disconnected. Use extreme caution when servicing. Verify that there is a working ground connection. If the unit sustains water damage, cease using it immediately and unplug AC power.

MONITOR

The monitor contains no user serviceable parts. Do not attempt to service the monitor.

POWER SELECTOR

Before installing game, ensure the voltage on the PC and power supply is set properly. There is a 115/230 VAC selector switch that must be set for the correct voltage for your site. The setting must match the line voltage at the installation site.

POWER CORD

If the power cord is damaged or lost, replace it with an identical cord as supplied by the manufacturer or an authorized service agent.

SURGE SUPPRESSOR

It is recommended that you plug your game’s power cord into a surge suppressor to help protect from power surges that may damage sensitive electronic components.

WATER AND OTHER LIQUID SOURCE

Do not install game near sprinkler or other water jet sources. Do not use water jet to clean game. Keep minimum clearance behind game and wall for proper ventilation but also prevent access of liquid from spills and sprays from entering ventilation holes.

CONNECTORS

When servicing machine, ensure all connectors mate properly. If connectors do not slip in easily, do not force them. Connectors are often keyed and only connect one way. Check for correct orientation.

COMPUTER

The computer contains sensitive components, including a hard drive. Do not handle it roughly. Call your distributor before servicing its internal components. Ask about warranty information as it relates to the PC.

Do not turn the PC power switch on or off. It should remain permanently in the ON position.

Cycle AC power on or off with the cabinet power switch.

A dongle has been inserted into one of the USB ports. This is required for game play.

Do not remove the dongle except for troubleshooting purposes.

TEMPERED GLASS WARNING

When handling the LCD display glass cover take especial care and set the glass down softly on a flat surface free of debris. The edge of the glass is sensitive to hard impact. Shattered glass from the can travel long distances and cause bodily injury. Use proper procedures when handling broken materials.

HAZARD TO EPILEPTICS

A small portion of the population has an epileptic condition that may cause seizures. Affected persons experience seizures while watching some television pictures or playing certain video games. People who have not had seizures may still have an undetected epileptic condition. If anyone in your family has experienced epilepsy symptoms (seizures or loss of awareness), consult your physical before using video games. While children play video games, a parent should observe. Be alert to the following symptoms: dizziness, altered vision, eye or muscle twitching, involuntary movements, loss of awareness, disorientation or convulsions. If you or your child experiences these symptoms, discontinue use immediately and consult your physician.

MANUAL

Keep this manual available and ready for use. Please check our website www.rawthrills.com for the latest information regarding this and other Raw Thrills products. If the game fails to function properly, turn off the machine and unplug the AC line cord. Contact your local distributor. Your warranty, when applicable, lasts 60 days from your purchase date. You may not reproduce this document or any of its contents without written authorization from Raw Thrills, Inc. or Play Mechanix™ Inc.

SPECIFICATIONS

For reasons such as performance, this product's specifications may change without notice. Federal patent, copyright and other intellectual property laws protect the content, devices and design of the game and its equipment.

Product Specifications

Electrical Power

United States, international and Japan

Inrush AC Current: 7 Amps

Operating AC Current: 5/2.5 Amps

Voltage: 100/115/230 VAC 50/60Hz

Electrical Safety Notice:

For continued protection against the risk of fire, use only specified fuse values.

Dimensions

Height: 93.50" (2.35 meters)

Width: 43.14" (1.20 meters)

Depth: 84.00" (2.013 meters)

Temperature

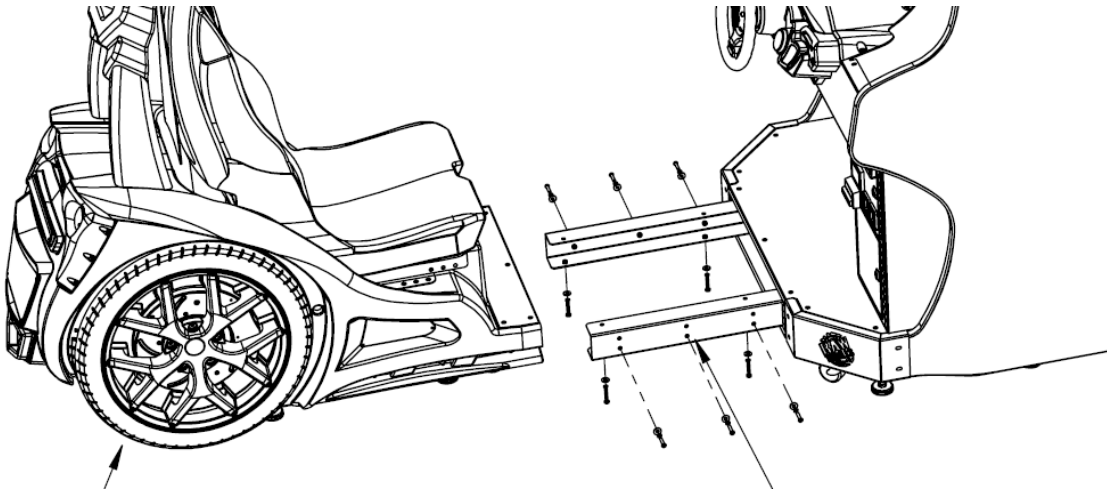
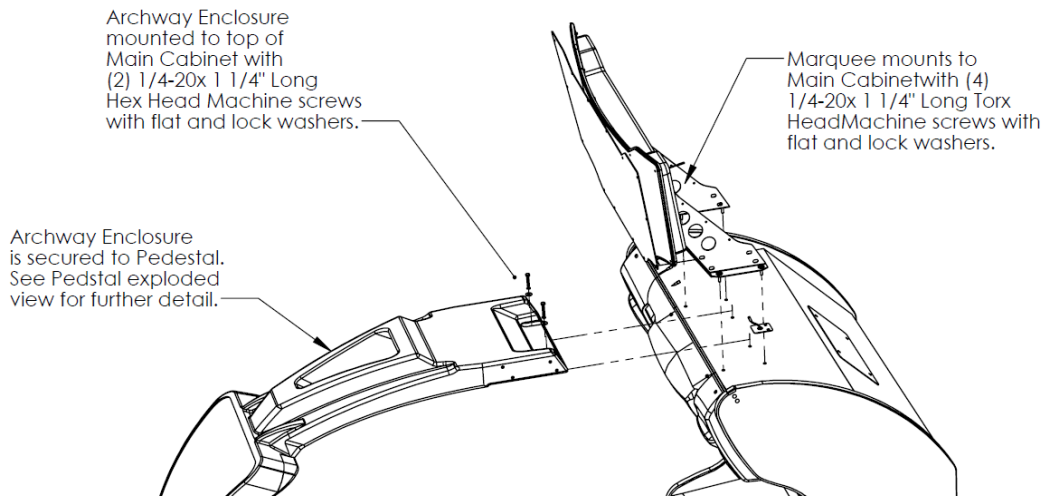
50° F to 104° F

(10° C to 40° C)

Humidity

Must not exceed 95% relative humidity

Setup



Note: Make electrical connection between seat and display cabinet.

Removal of Pedestal Assembly and Pedestal Mounting Struts required for passage thru 36" doorway. Lower Pedestal mounting hardware includes (6) 1/4-20x 1 1/4" Long Torx Head Machine screws with flat and lock washers and (4) 1/4-20x 1-1/4" Long Hex Head Machine screws with flat and lock washers underneath. There are an additional (8) 1/4-20x 1 1/4" Long Hex Head Machine screws with flat and lock washers on the inside of Main Cabinet which need to be removed as well.

Check Electrical Settings

1. Verify the voltage in the nearest AC outlet.
2. Verify the AC outlet ground connection is present and working.
3. Open the top back door of the cabinet r assembly.
4. Route the line cord so that the plug is near the AC outlet.
5. Replace the top back door of the cabinet assembly.

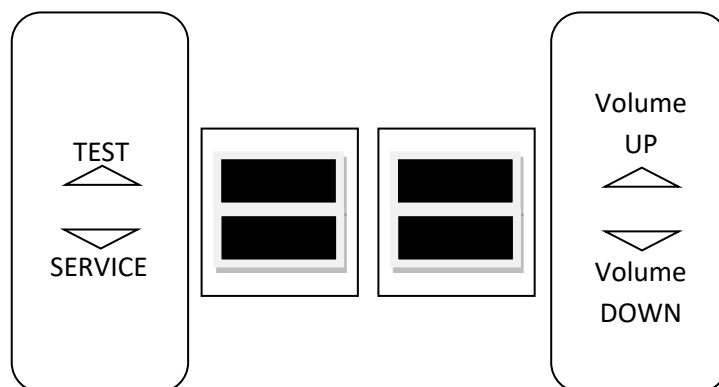
Startup Game

1. Plug in line cord to AC outlet.
2. Turn the power switch to ON.
3. Check that no component is excessively hot or emitting foul odors.

If not, turn off AC power and disconnect line cord. Refer to the diagnostic section of this manual.

Diagnostics and Adjustments

The Service Button Panel has four buttons, which used to navigate the menu system. Additional test menu navigation options are also displayed on the screen.



TEST button enters diagnostic system. **IMPORTANT NOTE:** You must hold down the TEST button for a least 2 seconds to Enter the Test Menu.

- Either Start button or TEST button selects the highlighted option
- VOL DOWN button or moves down through menu or setting choices. (Service Panel VOL UP button or moves up through menu or setting choices.
- Service Button adds a single credit for each press during attract mode and returns to previous
- Test Menu screen when on Test Mode At the bottom of the test menu is a display of your game's critical settings. At the right of each test menu screen is a brief description of each menu item.

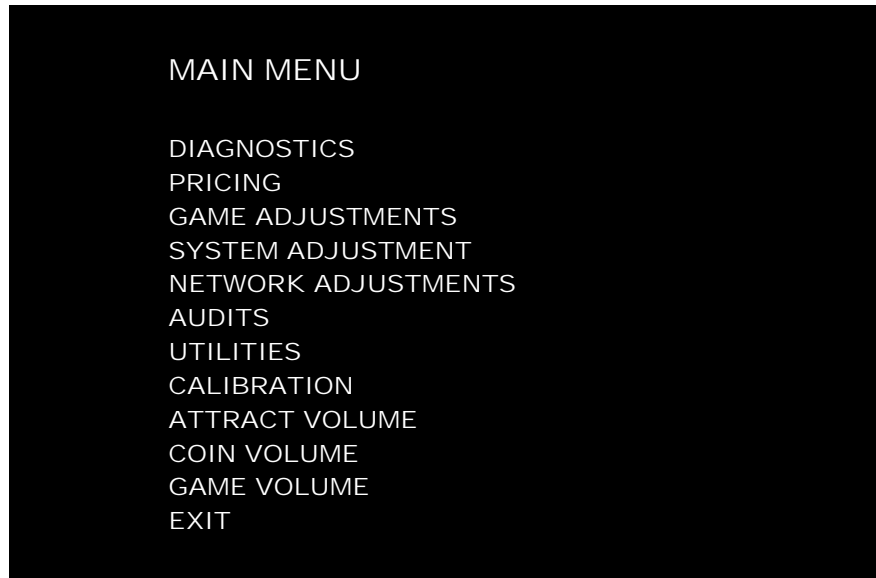
Basic Functional Test On Initial Power Up

See the Diagnostic Section for further information.

1. Enter the Switch Test menu and verify all switches function.
2. Enter the Monitor Test menu and verify that video is acceptable.
3. Enter the Sound Test
4. menu and verify the operation of the coin meter.
5. Enter the Cabinet Lamps Test menu and verify that all cabinet lights work correctly.
6. Enter the Watchdog Test menu, which reboots the game.
7. Upon a successful reboot, you are ready to make adjustments to pricing, volume and other functions found in the Adjustments, Audits and Diagnostics section.

Adjustments, Audits and Diagnostics

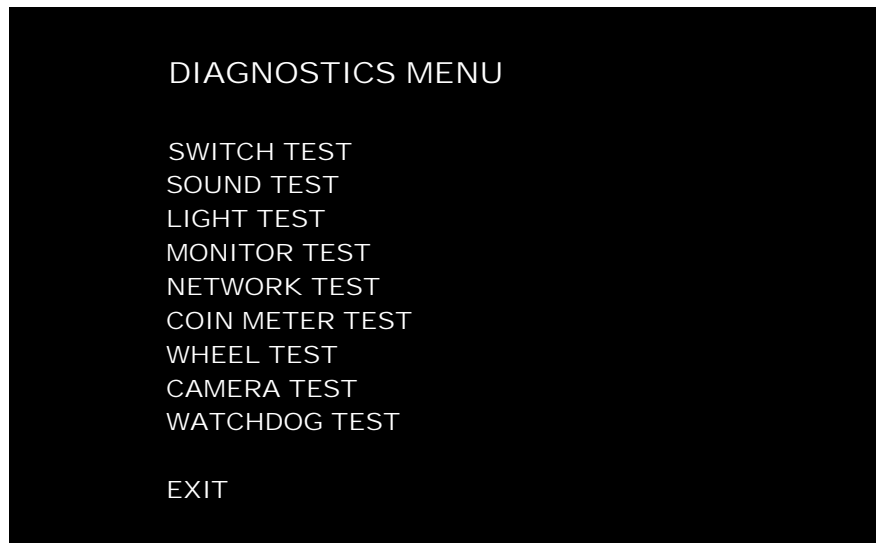
Main Menu



Main Menu

Diagnostics Menu

This menu allows all game functions to be verified or diagnosed.



You can improve collections by periodically verifying proper game function and operation.

Main Menu**Pricing Adjustments Menu**

This allows customization of coin values, currency denominations, bill pulse and swipe value.

PRICING ADJUSTMENT MENU

CURRENCY TYPE MAX CREDIT
FREE PLAY
CURRENCY TYPE
COIN SLOT 1 VALUE
COIN SLOT 2 VALUE
PLAYER COST
DBV PULSE VALUE

Main Menu**Game Adjustments**

This menu allows for customization key game features and functionality.

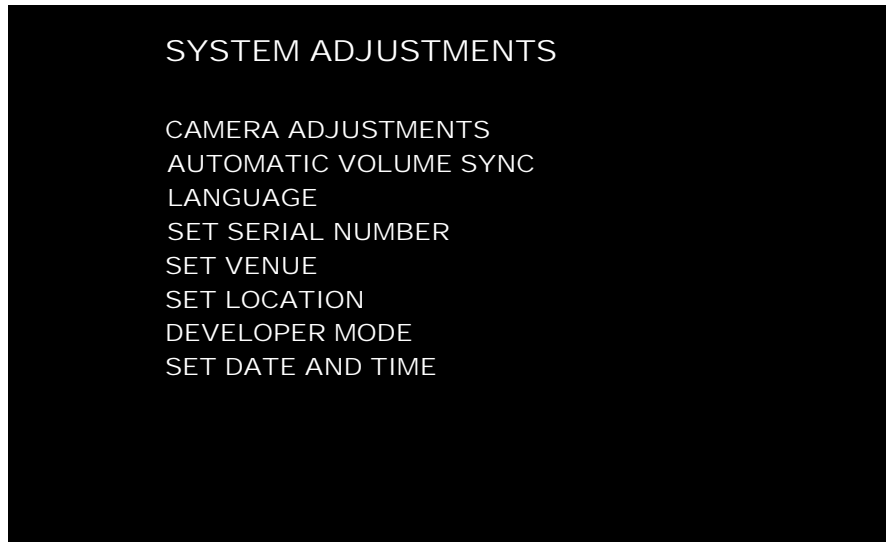
GAME ADJUSTMENT

ATTRACT SOUND FREQUENCY
ENABLE MULTIPLAYER FREE GAME
QR CODES ENABLED
NAME ENTRY/ HIGH SCORES
DIFFICULTY
METRIC SYSTEM

Main Menu

System Adjustments

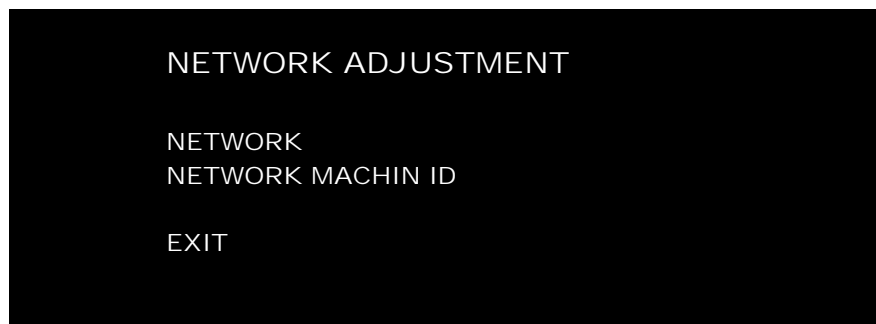
Adjust settings across linked games. Camera and volume adjustments/settings.



Main Menu

Network Adjustments

Turn Network (Game Linking) feature On or Off. Assign Network ID for each unit.



Main Menu**Audits**

Check game audits periodically to detect errors or game related issues. Information here can help diagnose intermittent issues which may affect earnings potential.

AUDITS

GAMEPLAY AUDITS
COMBINED GAMEPLAY AUDITS
SYSTEM AUDITS
COIN AUDITS
VIEW ERROR LOG
VIEW GAME LOG
SYSTEM INFORMATION
EXPORT AUDITS AND ERROS TO USB
EXPOERT CORE DUMP TO USB

Main Menu**Utilities**

Reset Audit items, saved data, credits or perform a factory reset. Factory will require a controls calibration.

UTILITIES

RESET ALL AUDITS
RESET COIN AUDITS
RESET CREDITS
RESET HIGH SCORES
RESET ALL ADJUSTMENTS
RESET SAVED PLAYER DATE
FACTORY RESET

Main Menu

Calibration

Calibration of controls is an important part of game maintenance and up-keep to ensure maximum earnings. Heavy play might affect the way analog controls behave over a long period of time. Calibrate controls as part of your regular collection and maintenance schedule.



Main Menu

Attract, Coin and Game Volume

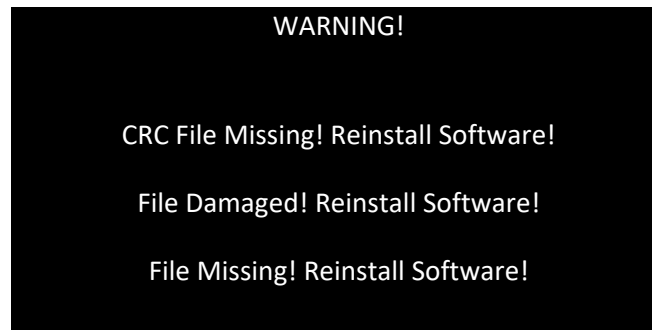
Each of the following sound levels are independently controlled to suit your location preference. Attract sound is an important part of creating interest in the game during slow traffic periods. Game volume adds to the players quality experience as well as generate interest from nearby spectators.

Maintenance

Hard Drive Recovery

Symptoms requiring hard drive recovery include

- File Test reports bad or missing files.
- Game fails to finish loading during startup.
- After resetting the AC power, an error is reported.
- Erratic Game or Attract Mode.
- The following screen:



The only way to repair corrupt files is to reinstall the software as described below:

COMPUTER

The computer contains sensitive components. Do not handle roughly. Call your distributor before servicing its internal components. Ask about warranty information as it relates to the PC.

Do **not** use the PC on/off switch. Turn AC power on or off with the cabinet power switch.

1. With game and PC on, verify that the RIO board has power. If not, see Troubleshooting.
2. Open the Coin door.
3. Insert the recovery USB thumb drive (included in your game) into the open blue USB port on the PC.
4. Turn cabinet power switch to OFF. Wait 30 seconds.
5. Turn cabinet power switch to ON.
6. Select the "Cruisin' Blast" restore version from the menu and follow on screen instructions
7. If recovery does not begin, check to ensure USB Drive is inserted correctly and is not damaged.
8. Initial software loading may take several minutes. Check progress periodically.
Do not interrupt power or reset the game during recovery.
9. When software has been loaded, a message indicates that restore is complete. When instructed to remove *USB Drive*, remove the drive from the PC.
10. Turn cabinet power switch off.
11. After 30 seconds, turn cabinet power switch on.
12. Game will reboot and enter the Attract Mode.
13. Start a test game to make sure that game is operating normally.

BIOS Settings/Power Management

NOTICE

The PC ships with correct BIOS settings. Making changes to the BIOS different from the description below may adversely affect game functions.

This BIOS setting lets the PC automatically power up. With the setting enabled, the PC reboots when it detects AC power. This eliminates the need to manually turn the PC back on after power disruption.

Do **not** use the PC on/off switch. Turn AC power on or off with the cabinet power switch. To access the BIOS Settings, you must insert a keyboard and hold the F12 key while the PC is booting up. From the Menu, Select "BIOS Setup"

1. Turn cabinet power switch off.
2. Open rear of cabinet.
3. Connect a USB keyboard to the PC.
4. While holding the F12 key on the keyboard down, turn cabinet power switch on.
5. When the BIOS menu screen appears, make the following adjustments.

Main

-No change

Advanced

-Intel SpeedStep = Enabled

-Virtualization= Enabled

-Integrated NIC = Enabled

-SATA Operation = AHCI

-Adapter Warnings = Enabled

Misc Device

-No change

Power Options

-Wake UP by Integrated LAN = Disabled

-AC Recover = Power ON

-Auto Power ON = Disabled

Security

-No change.

Boot

- Boot List Option = Legacy
- File Brower Add Boot Option
- File Brower Delete Boot Option
- Secure Boot = Disabled
- Load Legacy Option = Enabled
- 1st Boot Priority = USB Storage Device

Exit

- No change

6. Follow instructions on screen to save and exit.
7. PC will reset and load the game.

Troubleshooting

Warning: Review safety chapter before making any adjustments to game.

Problem	Possible Cause	Solution
Game will not power up.	Game not plugged in	Plug game into AC outlet.
	Game not turned on	Turn on main power switch.
	Game fuse is blown.	Check and replace fuse.
	No power to receptacle	Test AC outlet and plug game into powered outlet.
	PC not turned on.	Turn PC power switch on. Ensure IEC cable tightly plugged in. Trace cable back to source to ensure continuity.
	PC BIOS set incorrectly.	See BIOS Settings chapter.

Buttons do not work	Faulty micro switch	Replace the micro switch on the button and re-test. Verify that the wires are connected to the correct spades on the micro switch
	Faulty wiring	Disconnect the cabinet from AC power. Verify that all wires are firmly connected to each button and the PCB. Verify that no wires are frayed or improperly shorting to ground. Verify that wires are connected to the correct spades on the micro switches.
	Faulty PCB	Ensure all connections to PCB are secure. Replace PCB if faulty.

Neither buttons nor audio work	PCB connected to faulty USB port (boot message may indicate not detected)	To test a USB port, turn off the game, disconnect the device from the port, and then connect the game dongle to the port. Reboot the game. A No Dongle message indicates the port is bad. If the game starts, the port is working. After the test, reconnect all devices to the correct USB ports and reboot.
--------------------------------	---	---

No sound or bad sound	Bad connection	Check connection to speakers.
	Volume set too low	Use VOL UP button on Test panel to raise volume
	Faulty wiring	Verify all wires are firmly connected to the speakers, PCB, and green computer audio port. Verify that each wire is connected

		to the correct port and no wires are frayed or improperly shorting to ground.
Blown speakers		Remove the grill and inspect each speaker for visible damage. Run the Sound Test from System Tests in the Operator Menu to verify each speaker is working.
Reversed wires		A weak or low muffled sound is a sign of reversed speaker wires. Check for reversed wires on each speaker.
Faulty PCB		To verify audio is working at the computer, connect stereo headphones to the green computer audio port.

Constant low audio hum	Faulty power supply	Check external DC supply and the PC supply.
	Open ground	Check all ground wires in cabinet. Ensure AC wall outlet is properly grounded

LCD display flicker or fail to light.	Bad connection	Check for snug connection at inverter or under topper bracket.
	Loose end caps	Tighten end caps.

Game does not load.	Hard drive failure	Recover hard drive. See Hard Drive Recovery procedure in Maintenance section.
Hard drive test reports "bad" or "missing" files.		
Game fails to finish loading.		
After resetting, game still reports an error.		
Game suggests inserting a boot (USB DRIVE)		
Erratic game mode or attract mode.		
WARNING! Data Files Corrupted. (Game Operation May Become Unstable.) Use "Test" Switch to Enter Test Mode and Run "File Test." Press Start To Continue.		
Problem	Possible Cause	Solution
Game resets.	Bad file.	Run File Test. Restore hard drive.

Coin meter does not click during Test.	No pulse to meter	Check wiring from meter to RIO board
--	-------------------	--------------------------------------

	Faulty meter	Replace coin meter
Improper number of credits given when coins or bills are inserted	Incorrect setting in Adjustments	Adjust settings
	Faulty wiring	Disconnect cabinet from AC power. Verify wires are firmly connected to coin mech and bill validator and ground wires are properly connected. Verify no wires are frayed or shorting to ground.
	Faulty coin mech	Verify coin mech is not jammed. Ensure coin mech is properly aligned and latched to coin door.
Coin meter does not work	Blown fuse(s) on PCB	Replace 5A fuse(s) on PCB
Exits Test Mode every 3 seconds	Test button stuck in ON position	Slide or toggle button off after Test Menu appears
<i>NO VIDEO</i> message	Video cables not plugged in properly	Reattach and tighten power and video cable to monitor.
<i>No Signal</i>	Video or power cable not secure	Check and secure cable.
	PC not turned on	Turn PC power switch on. Ensure IEC cable tightly plugged in. Trace cable back to source to ensure continuity.
<i>Dongle Not Present</i>	Dongle missing or disconnected	Find dongle cable and reseal in USB port
	Faulty USB port	Insert dongle cable in different USB port
<i>Connect RIO Board or RIO Board Missing</i>	USB cable disconnected	Check USB connection from PC to RIO board
	No power to RIO board	Check for proper voltage (+5V, +12V) at P2 connector
<i>Watchdog Disabled or Watchdog Failed</i>	Watchdog defeated by JAMMA I/O DIP switch	Set DIP switch 8 to OFF
	No power to Reset PCB	Connect power to Reset PCB
	Reset input to motherboard disconnected	Connect 2-pin reset connector from Reset PCB to motherboard reset pin input
	Violet or black wire from Reset PCB disconnected or faulty	Check reset wire connection to JAMMA connector.

CRUISIN BLAST

MECHANICAL ILLUSTRATIONS

AND

ELECTRICAL DIAGRAM

4

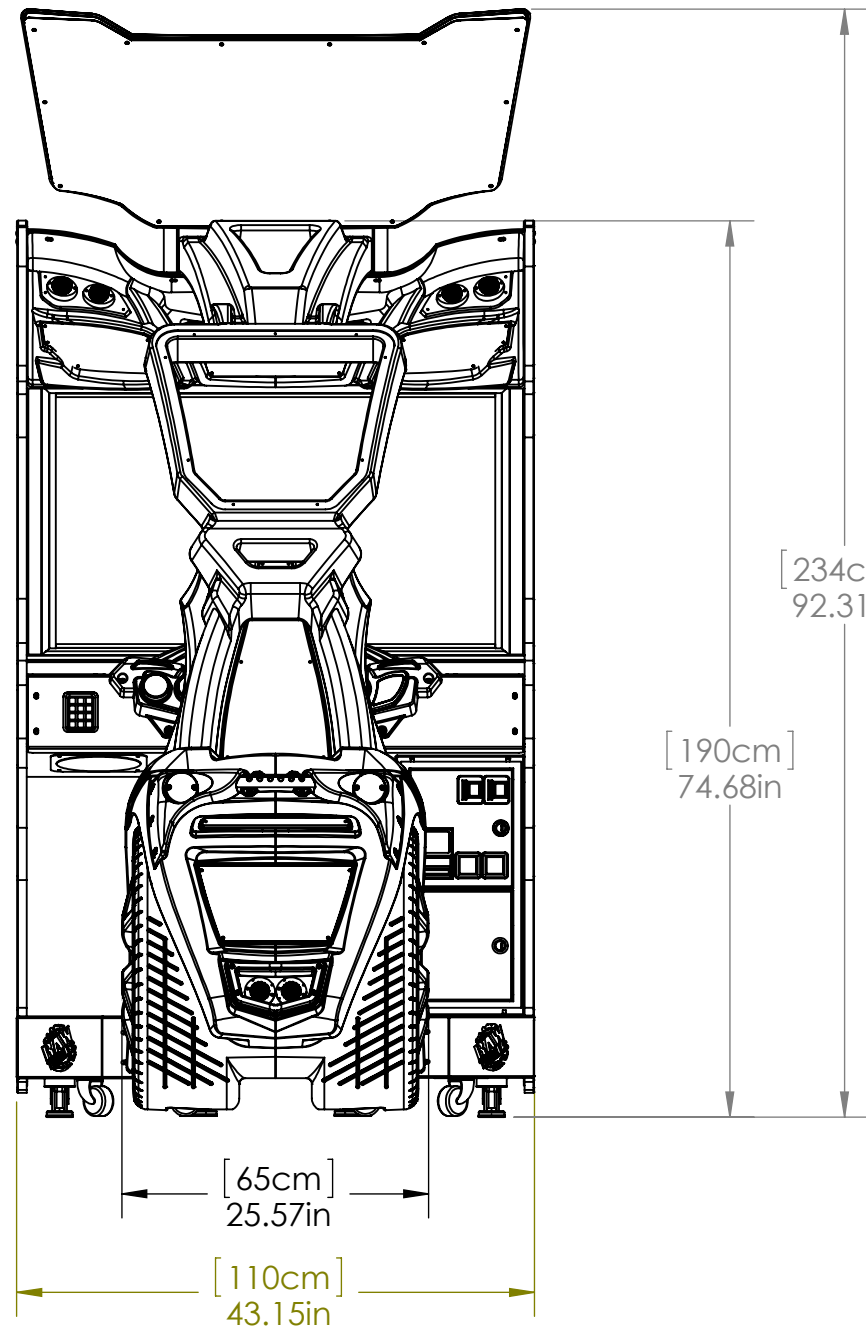
3

2

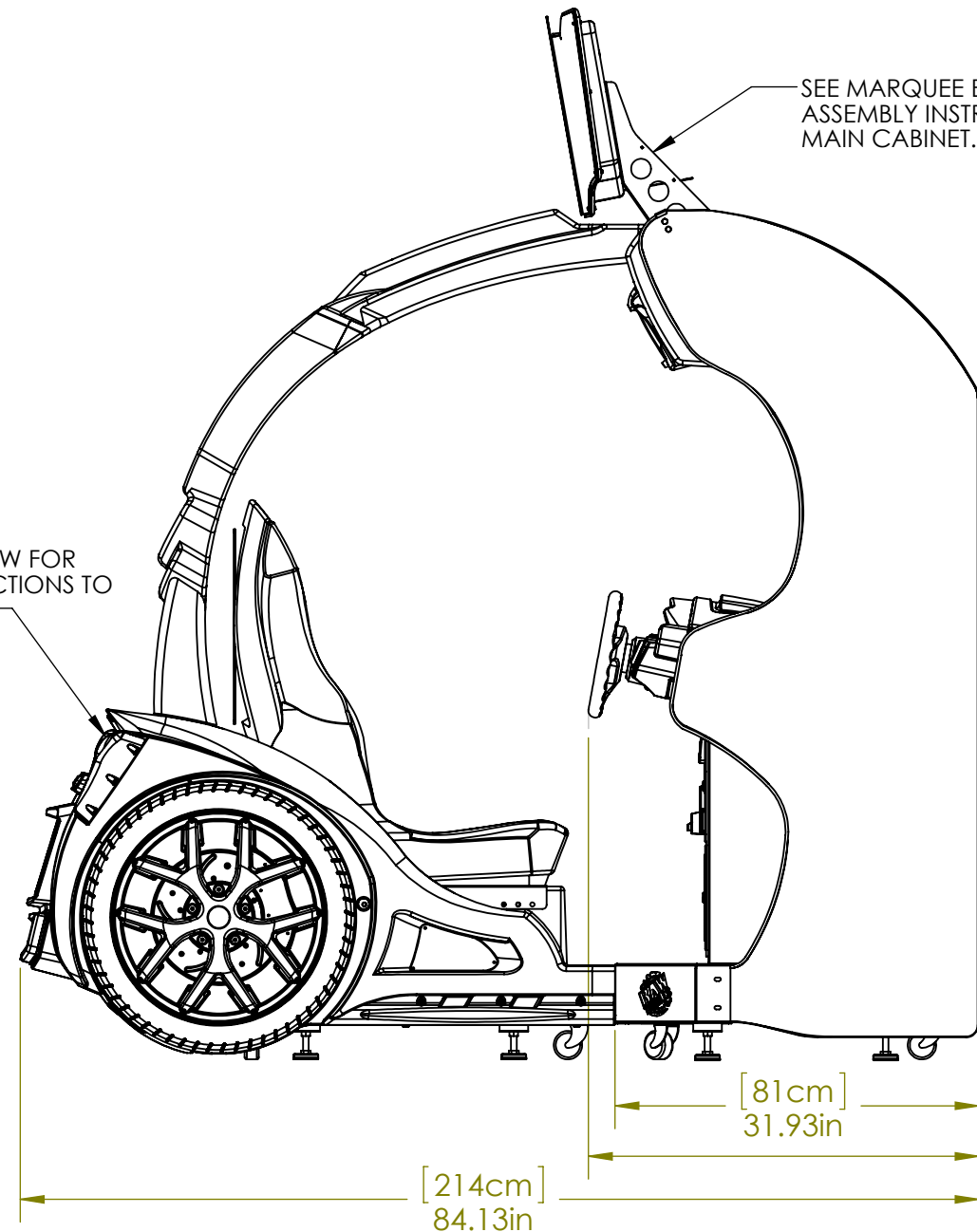
1

CRUIS'N GAME ASSEMBLY

REVISIONS				
ZONE	REV.	DESCRIPTION	DATE	APPROVED
	1	MANUAL ASSEMBLY DETAILS & INSTRUCTIONS	7/20/2016	MJD



SEE EXPLODED VIEW FOR ASSEMBLY INSTRUCTIONS TO MAIN CABINET.



SEE MARQUEE EXPLODED VIEW FOR ASSEMBLY INSTRUCTIONS TO MAIN CABINET.

B

B

A

A

PROPRIETARY AND CONFIDENTIAL
 THE INFORMATION CONTAINED IN THIS DRAWING IS THE SOLE PROPERTY OF RAW THRILLS, INC. ANY REPRODUCTION IN PART OR AS A WHOLE WITHOUT THE WRITTEN PERMISSION OF RAW THRILLS, INC IS PROHIBITED.

UNLESS OTHERWISE SPECIFIED:		NAME	DATE
DIMENSIONS ARE IN INCHES		DRAWN	
TOLERANCES:		CHECKED	
FRACTIONAL ±		ENG APPR.	
ANGULAR: MACH ± BEND ±		MFG APPR.	
TWO PLACE DECIMAL ±		Q.A.	
THREE PLACE DECIMAL ±		COMMENTS:	
INTERPRET GEOMETRIC TOLERANCING PER:	MATERIAL		
FINISH			
NEXT ASSY	USED ON		
APPLICATION	DO NOT SCALE DRAWING		

RAW THRILLS, INC

TITLE:
CRUIS'N ASSEMBLY DETAILS

SIZE B	DWG. NO. CRUIS'N	REV 1
------------------	----------------------------	-----------------

SCALE: 1:16 WEIGHT: SHEET 1 OF 10

4

3

2

1

PEDESTAL AND MARQUEE MOUNTING TO MAIN CABINET ASSEMBLY

Archway Enclosure mounted to top of Main Cabinet with (2) 1/4-20x 1 1/4" Long Hex Head Machine screws with flat and lock washers.

Marquee mounts to Main Cabinet with (4) 1/4-20x 1 1/4" Long Torx Head Machine screws with flat and lock washers.

Archway Enclosure is secured to Pedestal. See Pedstal exploded view for further detail.

(4) underside Hex Head Mounting screws accessible using 7/16" socket wrench.

Removal of Pedestal Assembly and Pedestal Mounting Struts required for passage thru 36" doorway. Lower Pedestal mounting hardware includes (6) 1/4-20x 1 1/4" Long Torx Head Machine screws with flat and lock washers and (4) 1/4-20x 1-1/4" Long Hex Head Machine screws with flat and lock washers underneath. There are an additional (8) 1/4-20x 1 1/4" Long Hex Head Machine screws with flat and lock washers on the inside of Main Cabinet which need to be removed as well.

PROPRIETARY AND CONFIDENTIAL

THE INFORMATION CONTAINED IN THIS DRAWING IS THE SOLE PROPERTY OF <INSERT COMPANY NAME HERE>. ANY REPRODUCTION IN PART OR AS A WHOLE WITHOUT THE WRITTEN PERMISSION OF <INSERT COMPANY NAME HERE> IS PROHIBITED.

		UNLESS OTHERWISE SPECIFIED:		NAME	DATE	RAW THRILLS, INC	
		DIMENSIONS ARE IN INCHES		DRAWN		TITLE:	
		TOLERANCES:		CHECKED		Cruis'n Assembly	
		FRACTIONAL ±		ENG APPR.		Details	
		ANGULAR: MACH ± BEND ±		MFG APPR.		SIZE	DWG. NO.
		TWO PLACE DECIMAL ±		Q.A.		B	Cruisn-Final-Assembly-Dwgs
		THREE PLACE DECIMAL ±		COMMENTS:		REV	1
		INTERPRET GEOMETRIC TOLERANCING PER:				SCALE: 1:16	WEIGHT:
		MATERIAL					SHEET 2 OF 10
NEXT ASSY	USED ON	FINISH					
APPLICATION		DO NOT SCALE DRAWING					

4

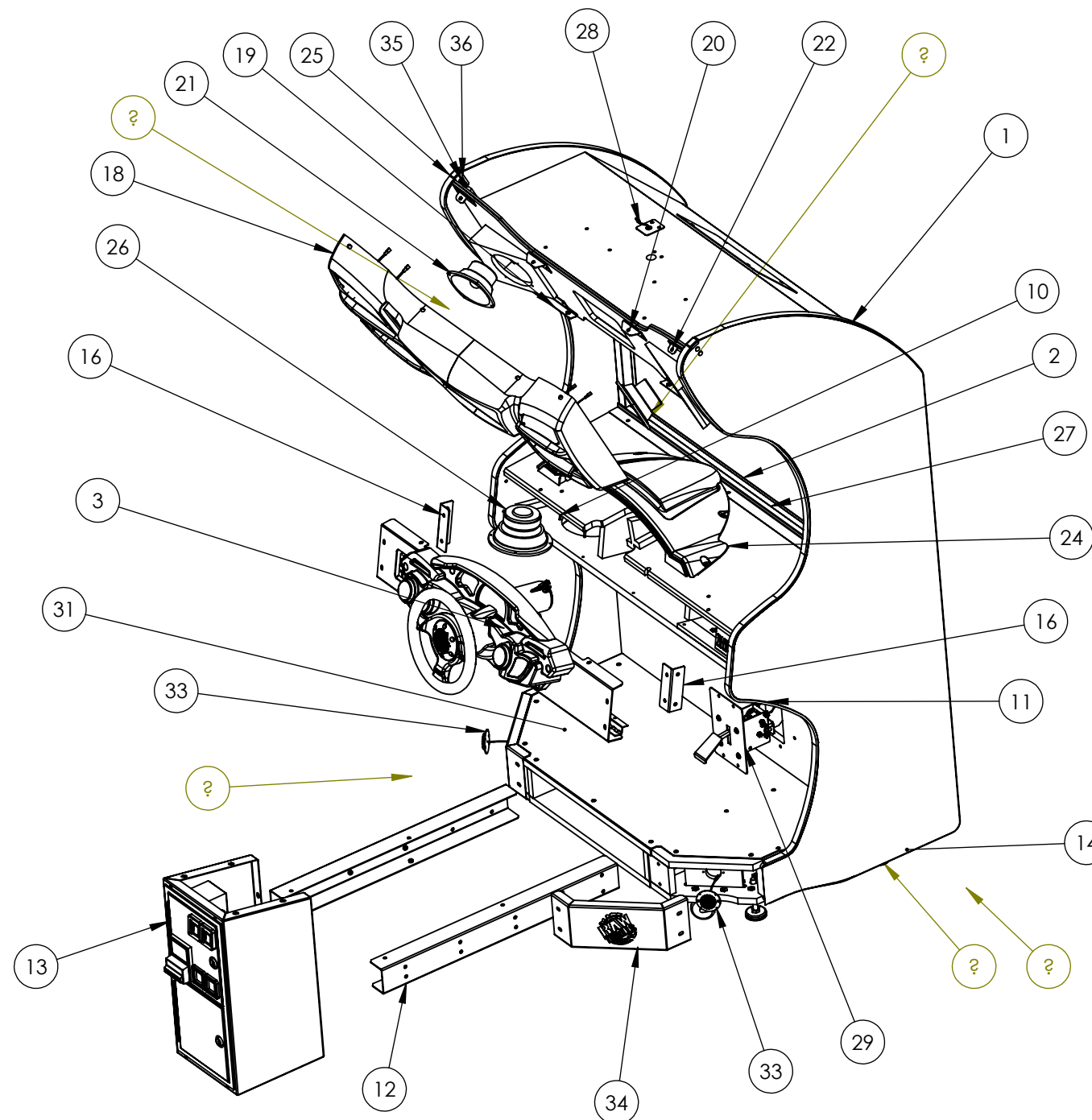
3

2

1

ITEM NO.	PART NUMBER	DESCRIPTION	QTY.
1	601-00743-01	CRUISN Main Cabinet	1
2	Cruisn_Monitor_Assy	42"-Cruis'n_Monitor_Assembly	1
3	Cruisn-Dash-Assy	Cruisn-Dash-Assy (See Exploded)	1
4	Cruisn_RIO_ASSY	Cruis'n RIO/Board set Assembly	1
5	PC-Strap Assy	PC-Strap Assy.SLDASM	2
6	FanAssy	DC fan and wire guard assembly	3
7	Moto-GP_A-C Plate Assy	Moto-GP_A-C Plate Assembly	1
8	601-00746-01	Cruis'n Mid Back door	1
9	Cruisn Back Door Assy	Moto-GP 42" Back Door Assy	1
10	600-01786-01	GRILL-WOOFER-JP-55	1
11	603-00762-87	LED Cabside-Tmolding (87")	2
12	600-01777-01	Cruis'n Pedestal Strut (2) req'd	2
13	Cruis'n Vault Assy	Cruis'n Vault Assy	1
14	800-00007-00	2 -1/2" CASTER	2
15	800-00003-00	Leg Leveler Plate	2
16	600-01788-01	Cruis'n Dash Mounting Bracket (2)	2
17	LED-EXTRUSION-ASSY-40cm_16in	LED-EXTRUSION-ASSY-40cm (16in) Long	1
18	Speaker Bezel-Housing-Assy	Speaker Bezel-Housing-Assy (See Exploded)	1
19	600-01784-01	Cruis'n Speaker Bezel Bracket-Lower(2) req'd	2
20	600-01783-01	Cruis'n Speaker Bezel Bracket-Middle(2) req'd	2
21	2-1-10-00-00-000	5.25 Full Range Speaker	2
22	600-01782-01	Cruis'n Speaker Bezel Bracket-Upper (2) req'd	2
23	600-01787-01	Cruis'n Rear Access plate	1
24	603-00778-01	Cruis'n-Hood-InjMolded	1
25	600-01795-01	LED T-Molding Clip (Straight)	2
26	2-1-11-00-00-000	SPEAKER-WOOFER-6.5" 4 OHm	1
27	600-01800-01	Cruis'n- Lower Monitor Bracket	1
28	01-1842	Moto-GP Header Harness Plate w Grommet	1
29	604-00052-01	Gas Pedal Assy	1
30	Cruis'n CAMERA BOX ASSY	Cruis'n CAMERA BOX ASSY (See Exploded)	1
31	600-01875-01	Cruis'n-Cabinet Tread Plate	1
32	RBG Camera Light Strip Assy	RBG Camera Light Strip Assy (4")	1
33	500-00204-01	RED LED Superpuck PCB	2
34	Cruis'n-Kick Plate Assy	Cruis'n-Kick Plate Assy COMMON 2 REQD	2
35	92356A263	92356A263/#8-32_1-1/4L Carriage Bolt Blk	4
36	94831A611	94831A611 #10-32 , 1/2" Flange Nut	4
37	810-00053-01-with base mount	Test Service Button Assy	1
38	600-00891-01	Securing Nylon Strap Plate	4
39	850-00021-00	HP705.SLDPRT	1
40	Foam Pad		1
41	600-01917-01	Cruis'n-UNDERDASH CLEAR PETG	1

CRUIS'N MAIN CABINET ASSEMBLY



PROPRIETARY AND CONFIDENTIAL
THE INFORMATION CONTAINED IN THIS DRAWING IS THE SOLE PROPERTY OF RAW THRILLS, INC. ANY REPRODUCTION IN PART OR AS A WHOLE WITHOUT THE WRITTEN PERMISSION OF RAW THRILLS, INC IS PROHIBITED.

UNLESS OTHERWISE SPECIFIED:		NAME	DATE
DIMENSIONS ARE IN INCHES		DRAWN	
TOLERANCES:		CHECKED	
FRACTIONAL: ±		ENG APPR.	
ANGULAR: MACH ± BEND ±		MFG APPR.	
TWO PLACE DECIMAL ±		Q.A.	
THREE PLACE DECIMAL ±		COMMENTS:	
INTERPRET GEOMETRIC TOLERANCING PER:			
MATERIAL			
FINISH			
NEXT ASSY	USED ON		
APPLICATION	DO NOT SCALE DRAWING		

RAW THRILLS, INC

TITLE:
CRUIS'N-MAIN CABINET ASSY

SIZE DWG. NO. REV
B Cruis'n Assy Details **1**

SCALE: 1:16 WEIGHT: SHEET 3 OF 10

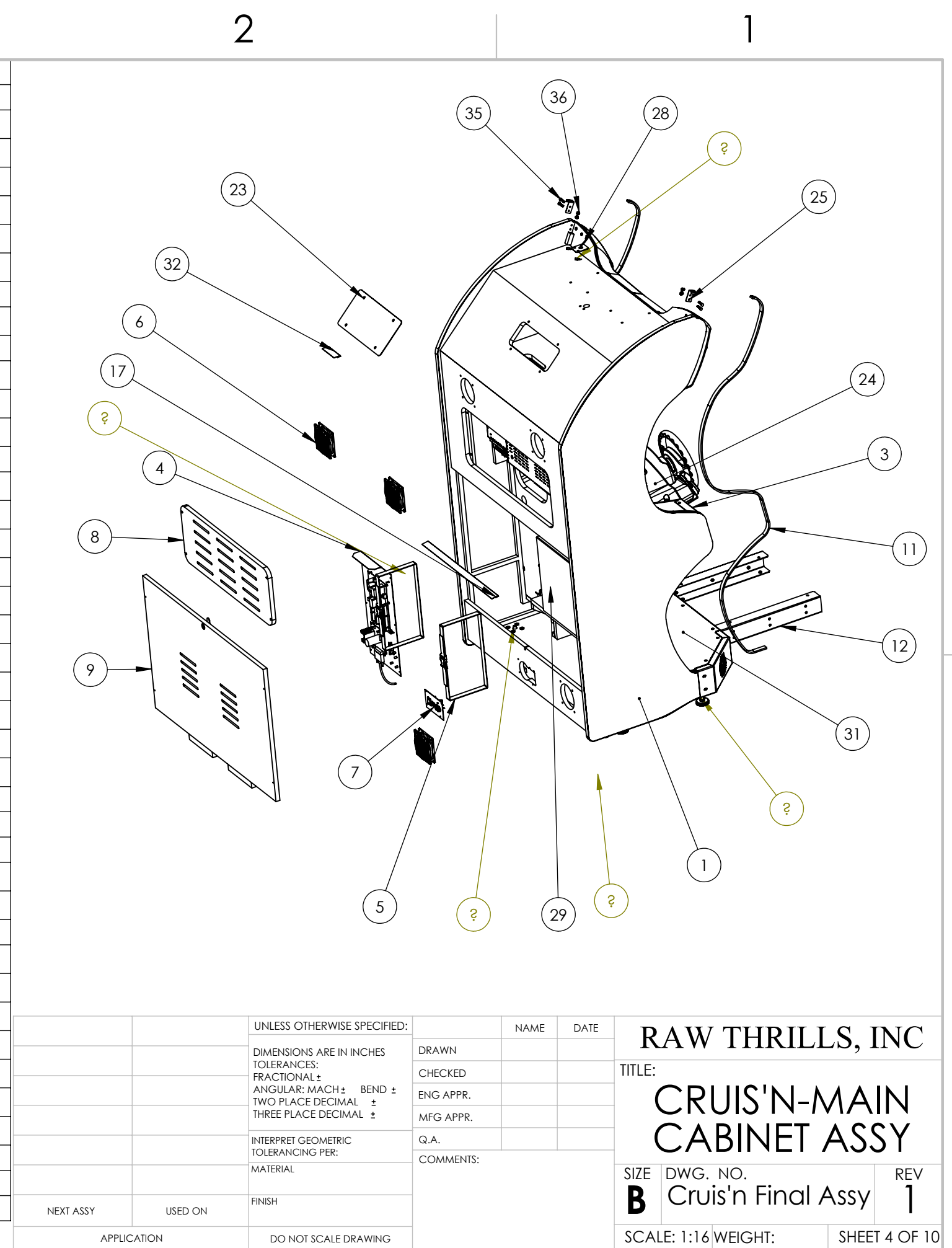
4

3

2

1

ITEM NO.	PART NUMBER	DESCRIPTION	QTY.
1	601-00743-01	CRUISN Main Cabinet	1
2	Cruisn_Monitor_Assy	42"-Cruis'n_Monitor_Assembly	1
3	Cruisn-Dash-Assy	Cruisn-Dash-Assy (See Exploded)	1
4	Cruisn_RIO_ASSY	Cruis'n RIO/Board set Assembly	1
5	PC-Strap Assy	PC-Strap Assy.SLDASM	2
6	FanAssy	DC fan and wire guard assembly	3
7	Moto-GP_A-C Plate Assy	Moto-GP_A-C Plate Assembly	1
8	601-00746-01	Cruis'n Mid Back door	1
9	Cruisn Back Door Assy	Moto-GP 42" Back Door Assy	1
10	600-01786-01	GRILL-WOOFER-JP-55	1
11	603-00762-87	LED Cabside-Tmolding (87")	2
12	600-01777-01	Cruis'n Pedestal Strut (2) req'd	2
13	Cruis'n Vault Assy	Cruis'n Vault Assy	1
14	800-00007-00	2 -1/2" CASTER	2
15	800-00003-00	Leg Leveler Plate	2
16	600-01788-01	Cruis'n Dash Mounting Bracket (2)	2
17	LED-EXTRUSION-ASSY-40cm_16in	LED-EXTRUSION-ASSY-40cm (16in) Long	1
18	Speaker Bezel-Housing-Assy	Speaker Bezel-Housing-Assy (See Exploded)	1
19	600-01784-01	Cruis'n Speaker Bezel Bracket-Lower(2) req'd	2
20	600-01783-01	Cruis'n Speaker Bezel Bracket-Middle(2) req'd	2
21	2-1-10-00-00-000	5.25 Full Range Speaker	2
22	600-01782-01	Cruis'n Speaker Bezel Bracket-Upper (2) req'd	2
23	600-01787-01	Cruis'n Rear Access plate	1
24	603-00778-01	Cruis'n-Hood-InjMolded	1
25	600-01795-01	LED T-Molding Clip (Straight)	2
26	2-1-11-00-00-000	SPEAKER-WOOFER-6.5" 4 OHm	1
27	600-01800-01	Cruis'n- Lower Monitor Bracket	1
28	01-1842	Moto-GP Header Harness Plate w Grommet	1
29	604-00052-01	Gas Pedal Assy	1
30	Cruis'n CAMERA BOX ASSY	Cruis'n CAMERA BOX ASSY (See Exploded)	1
31	600-01875-01	Cruis'n-Cabinet Tread Plate	1
32	RBG Camera Light Strip Assy	RBG Camera Light Strip Assy (4")	1
33	500-00204-01	RED LED Superpuck PCB	2
34	Cruis'n-Kick Plate Assy	Cruis'n-Kick Plate Assy COMMON 2 REQD	2
35	92356A263	92356A263/#8-32_1-1/4L Carriage Bolt Blk	4
36	94831A611	94831A611 #10-32 , 1/2" Flange Nut	4
37	810-00053-01-with base mount	Test Service Button Assy	1
38	600-00891-01	Securing Nylon Strap Plate	4
39	850-00021-00	HP705.SLDPRT	1
40	Foam Pad		1
41	600-01917-01	Cruis'n-UNDERDASH CLEAR PETG	1



UNLESS OTHERWISE SPECIFIED:		NAME	DATE	RAW THRILLS, INC
DIMENSIONS ARE IN INCHES TOLERANCES: FRACTIONAL ± ANGULAR: MACH ± BEND ± TWO PLACE DECIMAL ± THREE PLACE DECIMAL ±		DRAWN		
INTERPRET GEOMETRIC TOLERANCING PER:		CHECKED		SIZE DWG. NO. REV B Cruis'n Final Assy 1
MATERIAL		ENG APPR.		SCALE: 1:16 WEIGHT: SHEET 4 OF 10
FINISH		MFG APPR.		
NEXT ASSY	USED ON	Q.A.		
APPLICATION		COMMENTS:		
DO NOT SCALE DRAWING				

4

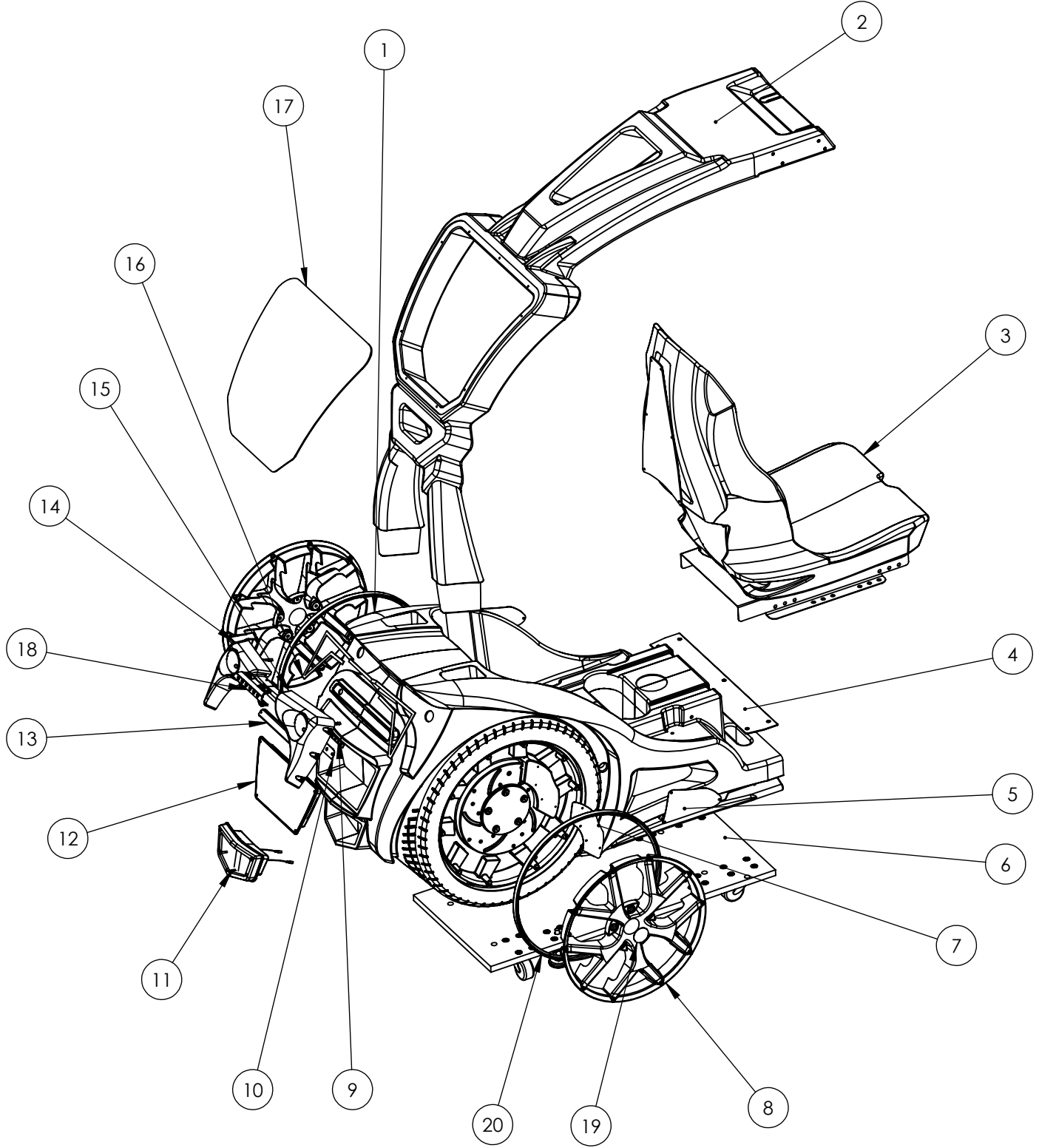
3

2

1

CRUIS'N PEDESTAL ASSEMBLY

ITEM NO.	PART NUMBER	DESCRIPTION	QTY.
1	603-00774-01	CRUIS'N SEAT PEDESTAL	1
2	603-00775-01	Cruis'n-UpperPedestal Arch-RotoMolded	1
3	CruisnSeatAssy	CruisnSeatAssy (See Details)	1
4	600-01876-01	Cruis'n-Pedestal Tread Plate	1
5	600-01885-01	Cruis'n-Pedestal Side Grill (2) req'd	2
6	Cruis'n Caster Panel Assy	Cruis'n Caster Plate Assy	1
7	606-01206-01	Cruis'n-Brake Caliper (2) Req'd	1
8	603-00769-01	Cruis'n - Wheel / Chrome (2) req'd	2
9	500-00113-10	Cruis'n - Brakelight RGB LED 10" (waterproof)	1
10	600-01881-01	Cruis'n-Ped Horizontal Light Mask	1
11	Cruis'n Tail Pipe-Assy	Cruis'n Tail Pipe-Assy (see exploded)	1
12	Cruis'n License-Plate-Assy	Cruis'n License-Plate-Assy (see exploded)	1
13	600-01882-01	Cruis'n-Ped Horizontal Light Overlay	1
14	RearTailLightAssy-L	RearTailLightAssy-L	1
15	RearTailLightAssy-R	RearTailLightAssy-R	1
16	500-00162-01-122CM	122CM Tail Light White LED.SLDPRT	1
17	606-01155-01_CURVED	Cruis'n-Rear Window (screened PETG)	1
18	603-00803-01	Cruis'n - Center Tail light Cover (IM)	1
19	606-01214-01	Cruis'n - Rnd Wheel Emblem (2)	2
20	WHEEL-LED T-MOLDING-ASSY	WHEEL-ROB -LED T-MOLDING-ASSY	2



PROPRIETARY AND CONFIDENTIAL
 THE INFORMATION CONTAINED IN THIS DRAWING IS THE SOLE PROPERTY OF RAW THRILLS, INC. ANY REPRODUCTION IN PART OR AS A WHOLE WITHOUT THE WRITTEN PERMISSION OF RAW THRILLS, INC IS PROHIBITED.

UNLESS OTHERWISE SPECIFIED:		NAME	DATE	RAW THRILLS, INC. TITLE: CRUIS'N ASSEMBLY DETAILS SIZE DWG. NO. REV B Cruis'n Assy Details 1 SCALE: 1:16 WEIGHT: SHEET 5 OF 10
DIMENSIONS ARE IN INCHES		DRAWN		
TOLERANCES:		CHECKED		
FRACTIONAL: ±		ENG APPR.		
ANGULAR: MACH ± BEND ±		MFG APPR.		
TWO PLACE DECIMAL ±		Q.A.		
THREE PLACE DECIMAL ±		COMMENTS:		
INTERPRET GEOMETRIC TOLERANCING PER:				
MATERIAL				
NEXT ASSY	USED ON	FINISH		
APPLICATION		DO NOT SCALE DRAWING		

4

3

2

1

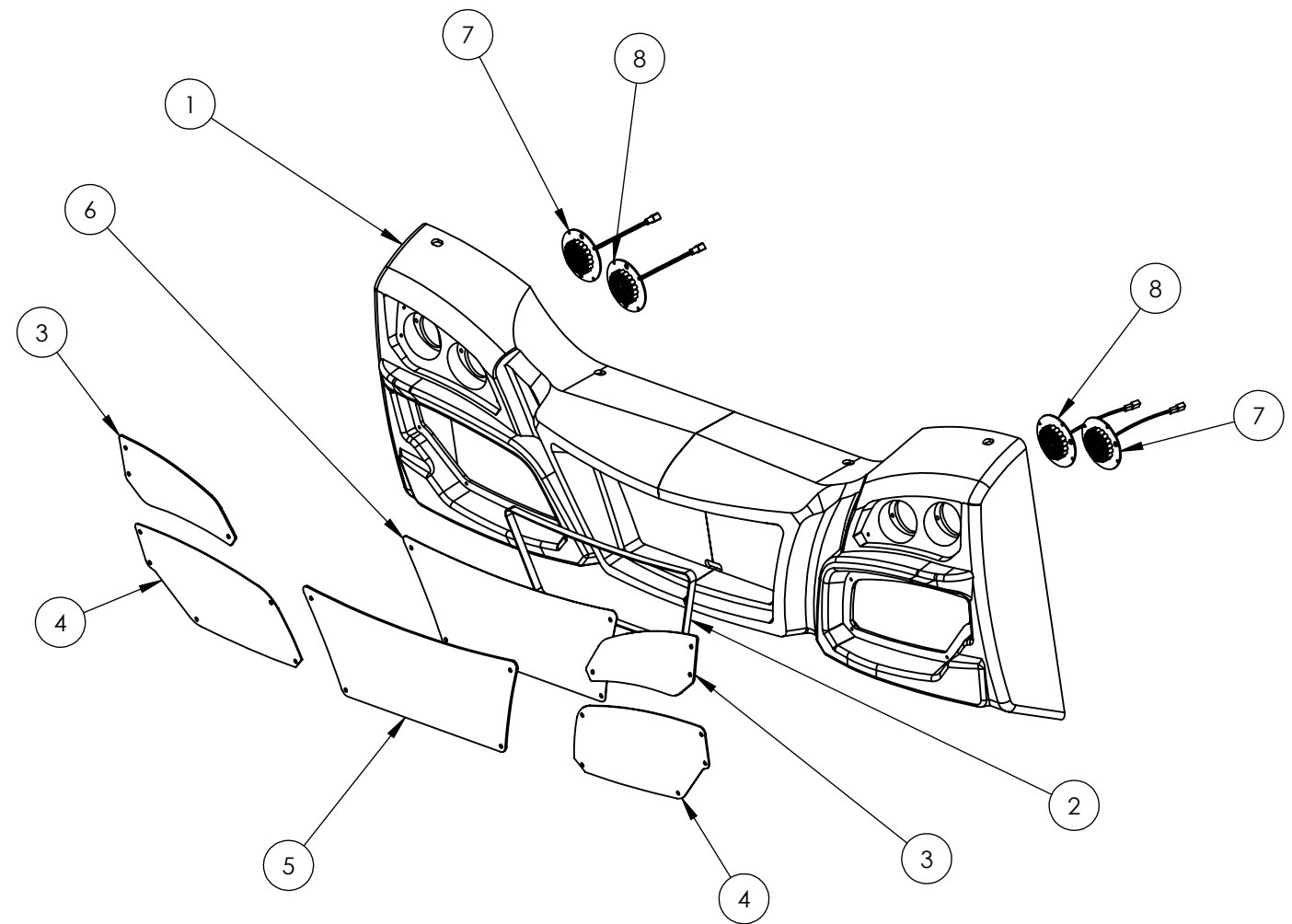
4

3

2

1

CRUIS'N SPEAKER BEZEL ASSEMBLY

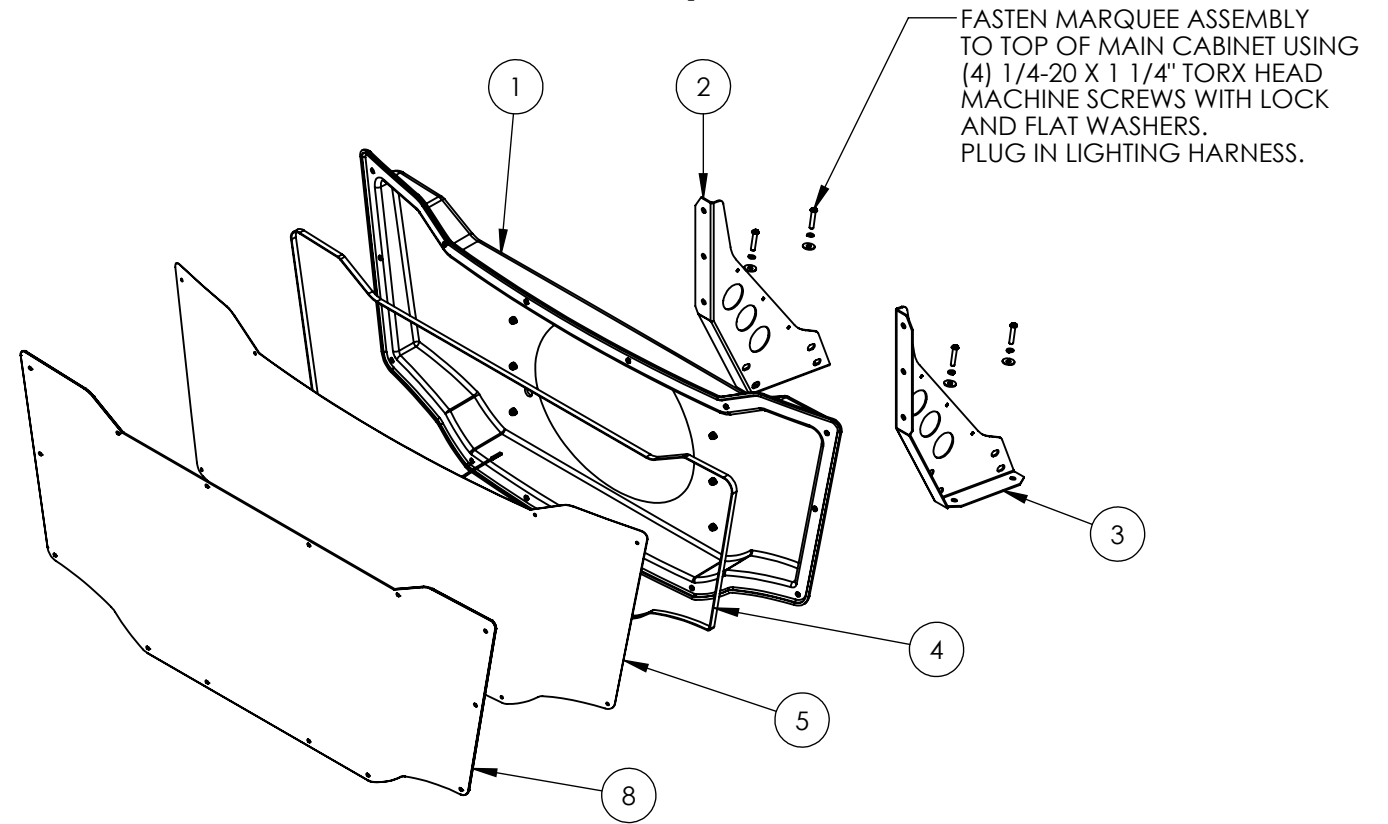


ITEM NO.	PART NUMBER	DESCRIPTION	QTY.
1	603-00777-01	Cruis'n-Speaker Bezel-Vac Formed-RED	1
2	500-00162-73	LED Strip White w/Foam Tape 73CM	1
3	600-01878-01	Cruis'n-Bezel Light Lens (2) Req'd	2
4	600-01769-01	Cruis'n Speaker Grille (2)	2
5	600-01839-01	Cruis'n-Leader Overlay Panel	1
6	606-01121-01	Cruis'n-Leader Overlay Panel	1
7	500-00222-01	YELLOW LED Superpuck PCB	2
8	500-00221-01	PURPLE LED Superpuck PCB	2

PROPRIETARY AND CONFIDENTIAL
 THE INFORMATION CONTAINED IN THIS DRAWING IS THE SOLE PROPERTY OF RAW THRILLS, INC. ANY REPRODUCTION IN PART OR AS A WHOLE WITHOUT THE WRITTEN PERMISSION OF RAW THRILLS, INC IS PROHIBITED.

CRUIS'N MARQUEE ASSEMBLY

SHIPPED SEPARATE-ASSEMBLY TO CABINET REQUIRED



ITEM NO.	PART NUMBER	DESCRIPTION	QTY.
1	603-00776-01	Cruis'n Marquee Vac Form w Inserts	1
2	600-01766-01	Cruis'n Header Bracket L	1
3	600-01765-01	Cruis'n Header Bracket R	1
4	500-00162-100	Cruis'n Marquee White LED Strip (100")	1
5	606-01124-01-	Cruis'n Marquee Translight	1
6	600-01838-01-	Cruis'n-Marquee-Clear overlay	1
7	TORX 1-1_4	TORX 1-1/4 INCH, LOCK AND FLAT WASHER	4
8	600-01838-01	Cruis'n Marquee Translight	1

UNLESS OTHERWISE SPECIFIED:		NAME	DATE	RAW THRILLS, INC	
DIMENSIONS ARE IN INCHES		DRAWN			TITLE: CRUIS'N-MARQUEE ASSY
TOLERANCES:		CHECKED			
FRACTIONAL: ±		ENG APPR.			
ANGULAR: MACH ± BEND ±		MFG APPR.			
TWO PLACE DECIMAL ±		Q.A.		SIZE DWG. NO. REV	
THREE PLACE DECIMAL ±		COMMENTS:		B CRUIS'N ASSY DETAILS 1	
INTERPRET GEOMETRIC TOLERANCING PER:	MATERIAL			SCALE: 1:16 WEIGHT: SHEET 6 OF 10	
FINISH					
NEXT ASSY	USED ON				
APPLICATION	DO NOT SCALE DRAWING				

4

3

2

1

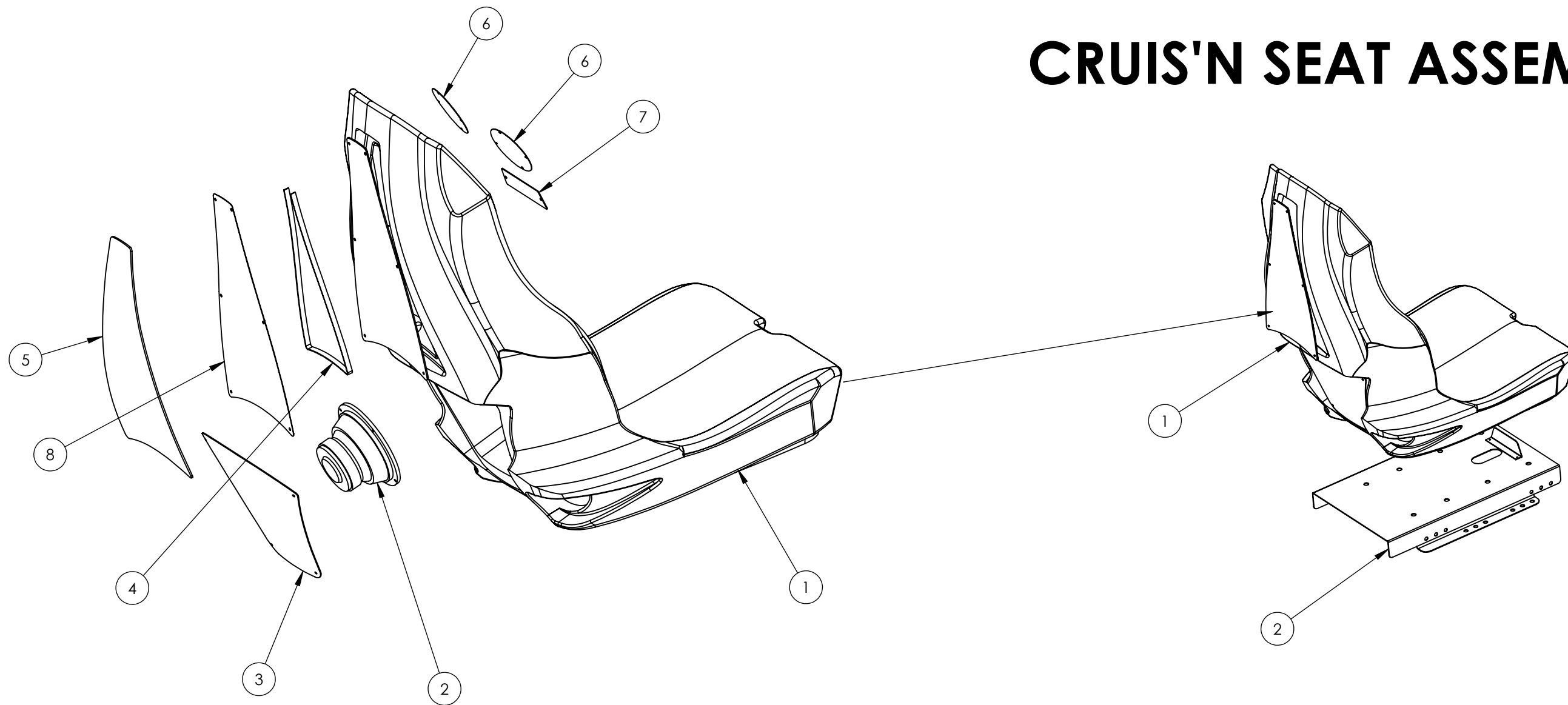
B

B

A

A

CRUIS'N SEAT ASSEMBLY



CRUIS'N SEAT SUB-ASSEMBLY

ITEM NO.	PART NUMBER	DESCRIPTION	QTY.
1	603-00523-01	PLASTIC-SEAT-RED	1
2	2-1-11-00-00-000	SPEAKER-WOOFER-6.5" 4 OHm	1
3	600-00106-01-	WOOFER-GRILL	1
4	500-00162-01-86CM	Rear Seat White LED	1
5	600-01840-01-	Cruisn Seatback Clear Overlay	1
6	600-00105-01-	SEAT-HEADREST-SPEAKER-GRILL	2
7	600-01886-01	Cruis'n-Seat Blockout Plate	1
8	606-01122-01	Cruis'n Seatback Translight	1
9	600-01840-01	Cruis'n Seatback Clear Overlay	1

ITEM NO.	PART NUMBER	DESCRIPTION	QTY.
1	CRUIS'N_SEAT-ASSY	CRUIS'N_SEAT-ASSY (see exploded)	1
2	600-01785-01	Cruis'n Seat Mounting Bracket-WELD	1

PROPRIETARY AND CONFIDENTIAL
 THE INFORMATION CONTAINED IN THIS DRAWING IS THE SOLE PROPERTY OF RAW THRILLS, INC. ANY REPRODUCTION IN PART OR AS A WHOLE WITHOUT THE WRITTEN PERMISSION OF RAW THRILLS, INC IS PROHIBITED.

UNLESS OTHERWISE SPECIFIED:		NAME	DATE	RAW THRILLS, INC TITLE: CRUIS'N SEAT ASSY DETAILS	
DIMENSIONS ARE IN INCHES		DRAWN			
TOLERANCES: FRACTIONAL \pm ANGULAR: MACH \pm BEND \pm TWO PLACE DECIMAL \pm THREE PLACE DECIMAL \pm		CHECKED			
INTERPRET GEOMETRIC TOLERANCING PER:		ENG APPR.			
MATERIAL		MFG APPR.		SIZE DWG. NO. REV B CRUIS'N DETAILS 1	
FINISH		Q.A.			
NEXT ASSY	USED ON	COMMENTS:		SCALE: 1:16 WEIGHT: SHEET 7 OF 10	
APPLICATION		DO NOT SCALE DRAWING			

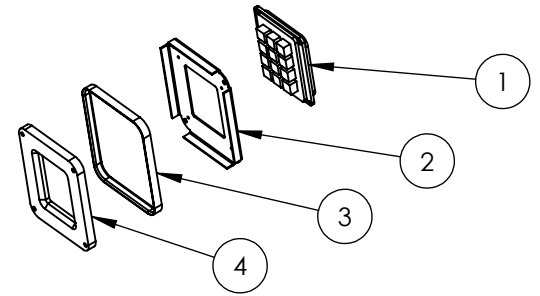
4

3

2

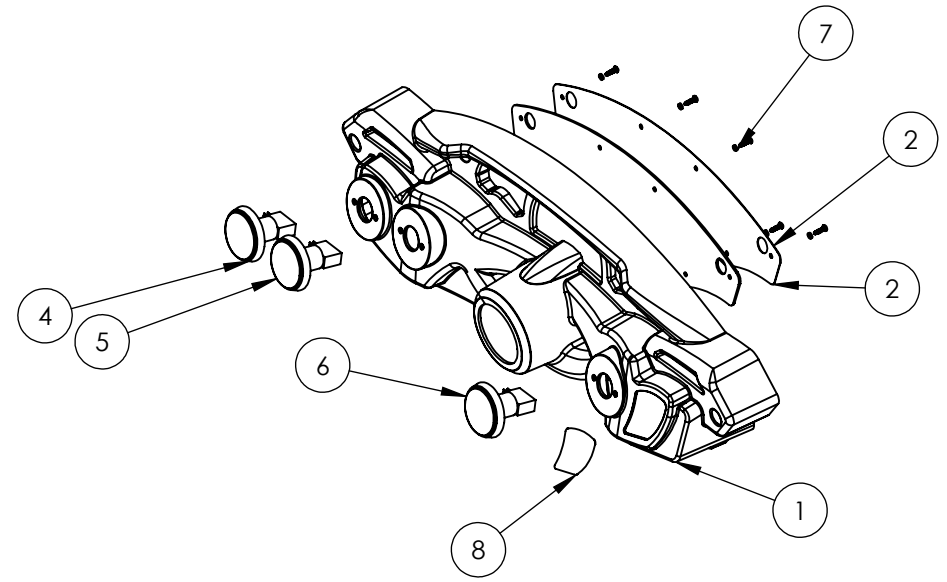
1

CRUIS'N KEYPAD-ASSEMBLY



ITEM NO.	PART NUMBER	DESCRIPTION	QTY.
1	2-1-14-00-00-000	Telephone Keypad	1
2	600-01877-01	Cruis'n-Auxiliary Keypad Plate	1
3	500-00074-01	45 CM X1 RGB LED WEATHERPROOF Strip, Keypad (18")	1
4	600-01884-01	Cruis'n-Keypad Edgeglow	1

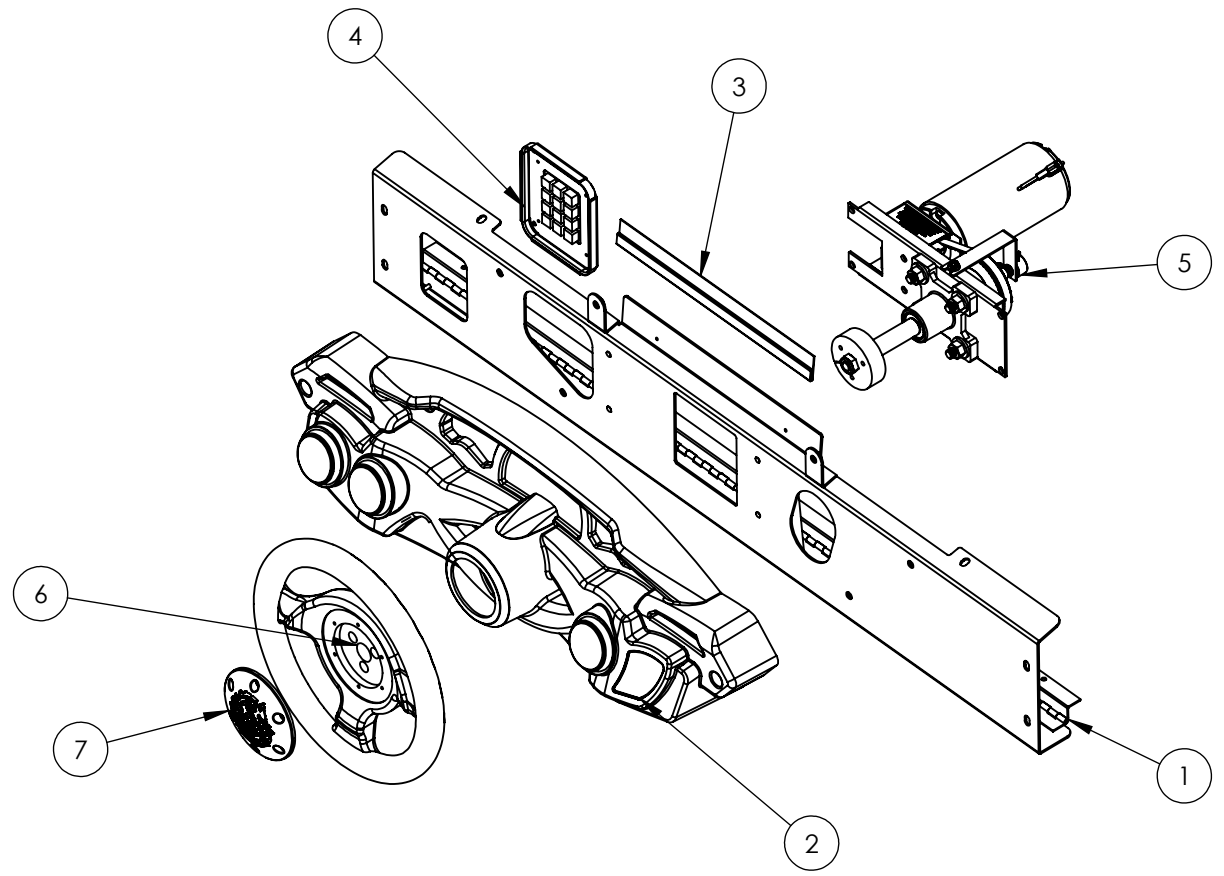
CRUIS'N DASH SUB-ASSEMBLY



ITEM NO.	PART NUMBER	DESCRIPTION	QTY.
1	603-00770-01	Cruis'n-Dash-InjMolded	1
2	606-01120-01	Cruis'n Instrument Panel-White Styrene 30 mil	1
3	600-01843-01	Cruis'n-Dash Inst Panel-Clear overlay	1
4	702-00068-01	ROUND-TUNES BUTTON-ORG	1
5	702-00067-01	ROUND-VIEW BUTTON-BLUE	1
6	702-00066-01	ROUND-START BUTTON-GREEN	1
7	6-32 SCREW	6-32 PlasticScrew&NeopreneWasher	6
8	606-01119-01	Dash-Right Decal	1

PROPRIETARY AND CONFIDENTIAL
 THE INFORMATION CONTAINED IN THIS DRAWING IS THE SOLE PROPERTY OF RAW THRILLS, INC. ANY REPRODUCTION IN PART OR AS A WHOLE WITHOUT THE WRITTEN PERMISSION OF RAW THRILLS, INC IS PROHIBITED.

CRUIS'N DASH ASSEMBLY



ITEM NO.	PART NUMBER	DESCRIPTION	QTY.
1	600-01699-01-ASSY	Cruis'n Control Panel Assembly	1
2	Dash-Shell-Assembly	Dash-Shell-Assembly(see exploded)	1
3	LED-EXTRUSION-ASSY-12in	LED-EXTRUSION-ASSY-12in	1
4	Cruis'n Keypad Assy	Cruis'n Keypad Assy (see exploded)	1
5	604-00002-00	HAPP-FFB-STEERING-ASSY	1
6	2-1-03-00-00-001	Happ Steering Wheel	1
7	603-00789-01	Cruis'n Steering Wheel Cap	1

UNLESS OTHERWISE SPECIFIED:		NAME	DATE	RAW THRILLS, INC	
DIMENSIONS ARE IN INCHES		DRAWN			TITLE: CRUIS'N DASH ASSEMBLY
TOLERANCES:		CHECKED			
FRACTIONAL ±		ENG APPR.			
ANGULAR: MACH ± BEND ±		MFG APPR.			
TWO PLACE DECIMAL ±		Q.A.		SIZE DWG. NO. REV	
THREE PLACE DECIMAL ±		COMMENTS:		B CRUIS'N ASSY 1	
INTERPRET GEOMETRIC TOLERANCING PER:	MATERIAL			SCALE: 1:16 WEIGHT: SHEET 8 OF 10	
FINISH					
NEXT ASSY	USED ON				
APPLICATION	DO NOT SCALE DRAWING				

4

3

2

1

4

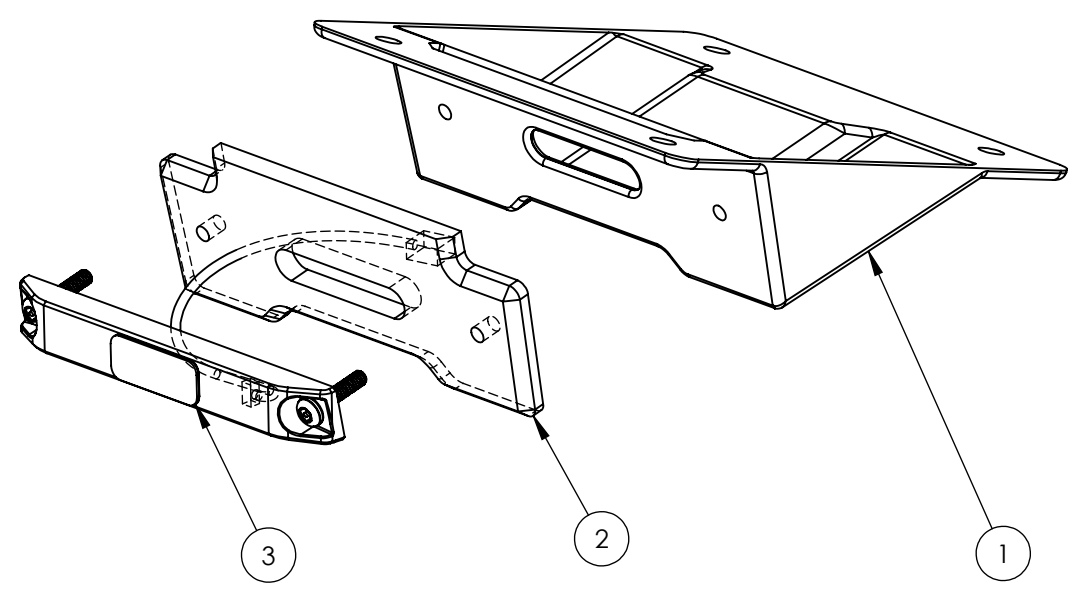
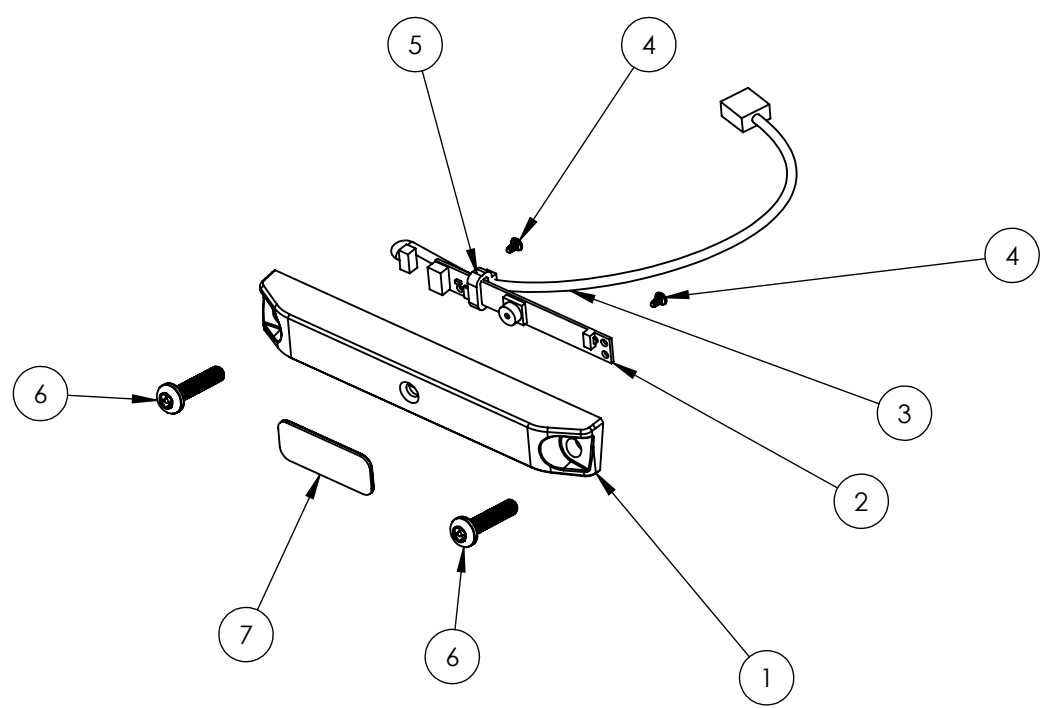
3

2

1

CRUIS'N CAMERA SUB-ASSEMBLY

CRUIS'N CAMERA BOX ASSEMBLY



B

B

A

A

ITEM NO.	PART NUMBER	DESCRIPTION	QTY.
1	603-00764-01	Camera-Housing/Moto-GP.SLDprt	1
2	500-00185-01	Moto-GP Webcam	1
3	810-00162-01	USB camera cable	1
4	99461A605	MMC 99461A605 Pan Head Phillips 18-8 Stainless Steel 1-32-#0 Drive	2
5	Camera-Tie Wrap	Camera-Tie Wrap	1
6	93701A408	8-32x3/4 TORXTAMPER-BLK	2
7	600-01790-01	Camera Dust Cover	1

ITEM NO.	PART NUMBER	DESCRIPTION	QTY.
1	603-00802-01	Cruis'n - Camera Box	1
2	600-01874-01	Cruis'n-Camera Acrylic Block	1
3	Camera-Housing-Assy	Moto-GP Camera Assembly(see exploded)	1

PROPRIETARY AND CONFIDENTIAL
 THE INFORMATION CONTAINED IN THIS DRAWING IS THE SOLE PROPERTY OF RAW THRILLS, INC. ANY REPRODUCTION IN PART OR AS A WHOLE WITHOUT THE WRITTEN PERMISSION OF RAW THRILLS, INC IS PROHIBITED.

UNLESS OTHERWISE SPECIFIED:		NAME	DATE	RAW THRILLS, INC TITLE: Cruis'n CAMERA BOX ASSY (See Exploded) SIZE DWG. NO. REV B Cruis'n Details 1 SCALE: 1:16 WEIGHT: SHEET 9 OF 10
DIMENSIONS ARE IN INCHES		DRAWN		
TOLERANCES:		CHECKED		
FRACTIONAL ±		ENG APPR.		
ANGULAR: MACH ± BEND ±		MFG APPR.		
TWO PLACE DECIMAL ±		Q.A.		
THREE PLACE DECIMAL ±		COMMENTS:		
INTERPRET GEOMETRIC TOLERANCING PER:				
MATERIAL				
NEXT ASSY	USED ON			
FINISH				
APPLICATION		DO NOT SCALE DRAWING		

4

3

2

1

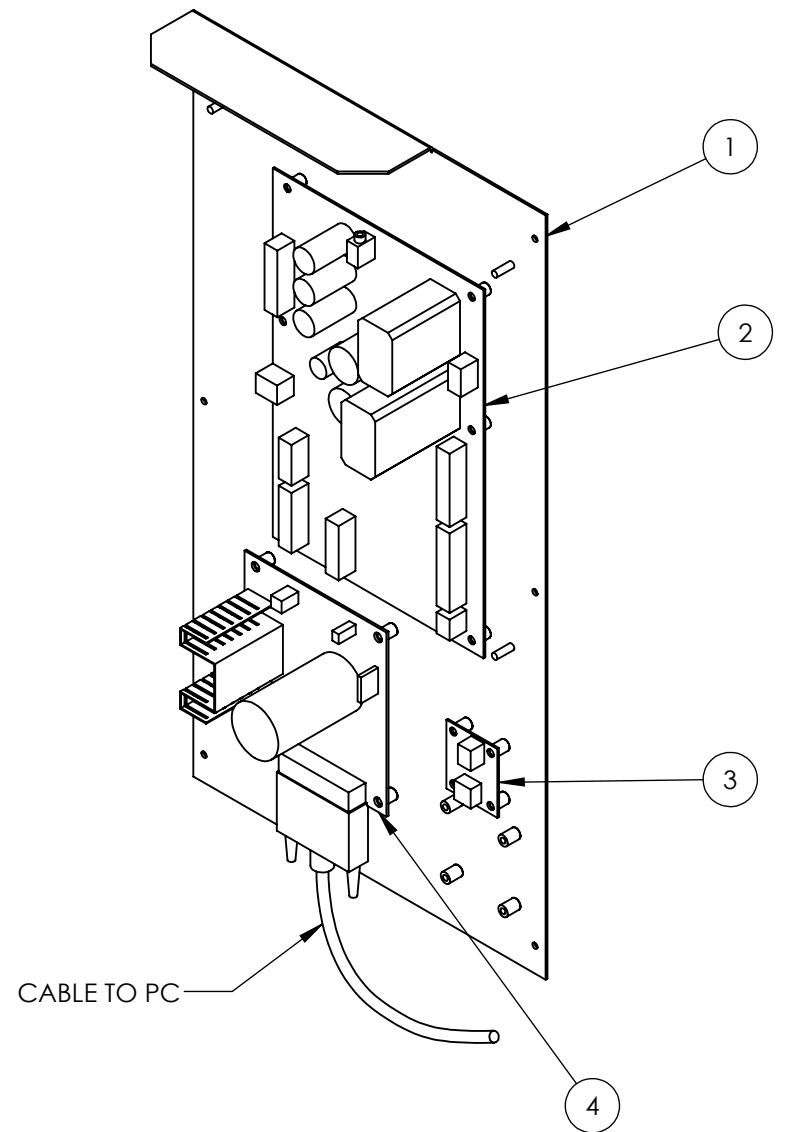
4

3

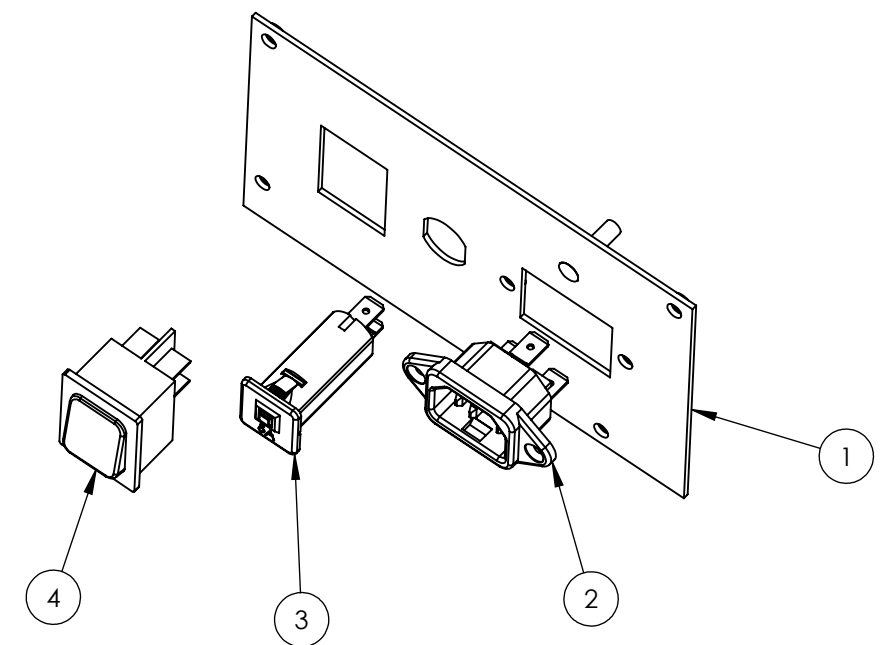
2

1

CRUIS'N RIO-ASSEMBLY



CRUIS'N A/C PLATE-ASSEMBLY



ITEM NO.	PART NUMBER	DESCRIPTION	QTY.
1	01-2291	PLATE, AC - LINE FILTER,CIRCUIT BREAKER, ON/OFF SW	1
2	Power Inlet Receptacle	IEC Appliance Inlet, Screw-on Mounting, Front Side, Quick-connect, 10A	1
3	T9-611-5A	CBE Circuit Breakers: 5AMP Circuit Breaker for Equipment thermal, Snap-in type, Fuseholder style, 1 pole	1
4	ON_OFF AC-SWITCH	Rated 16 amps @ 125 volts AC and 5 amps @ 30 volts DC. Maximum voltage is 250 AC and 72 DC. UL recognized and CSA certified.	1

ITEM NO.	PART NUMBER	DESCRIPTION	QTY.
1	600-01781-01	Cruis'n RIO-Mounting Plate	1
2	500-00040-01	RIO-board	1
3	500-00194-01	5V, 5A Switching Regulator PCB (12V input)	1
4	500-00037-01	Wheel-Driver Board	1

PROPRIETARY AND CONFIDENTIAL
 THE INFORMATION CONTAINED IN THIS DRAWING IS THE SOLE PROPERTY OF <INSERT COMPANY NAME HERE>. ANY REPRODUCTION IN PART OR AS A WHOLE WITHOUT THE WRITTEN PERMISSION OF <INSERT COMPANY NAME HERE> IS PROHIBITED.

UNLESS OTHERWISE SPECIFIED:		NAME	DATE	RAW THRILLS, INC	
DIMENSIONS ARE IN INCHES TOLERANCES: FRACTIONAL ± ANGULAR: MACH ± BEND ± TWO PLACE DECIMAL ± THREE PLACE DECIMAL ±		DRAWN			TITLE: CRUIS'N ASSEMBLY DETAILS
INTERPRET GEOMETRIC TOLERANCING PER:		CHECKED			
MATERIAL		ENG APPR.			
NEXT ASSY	USED ON	MFG APPR.			
FINISH		Q.A.		SIZE B DWG. NO. Cruisn-Final-Assembly-Dwgs REV 1	
APPLICATION		COMMENTS:		SCALE: 1:16 WEIGHT: SHEET 10 OF 10	
DO NOT SCALE DRAWING					

4

3

2

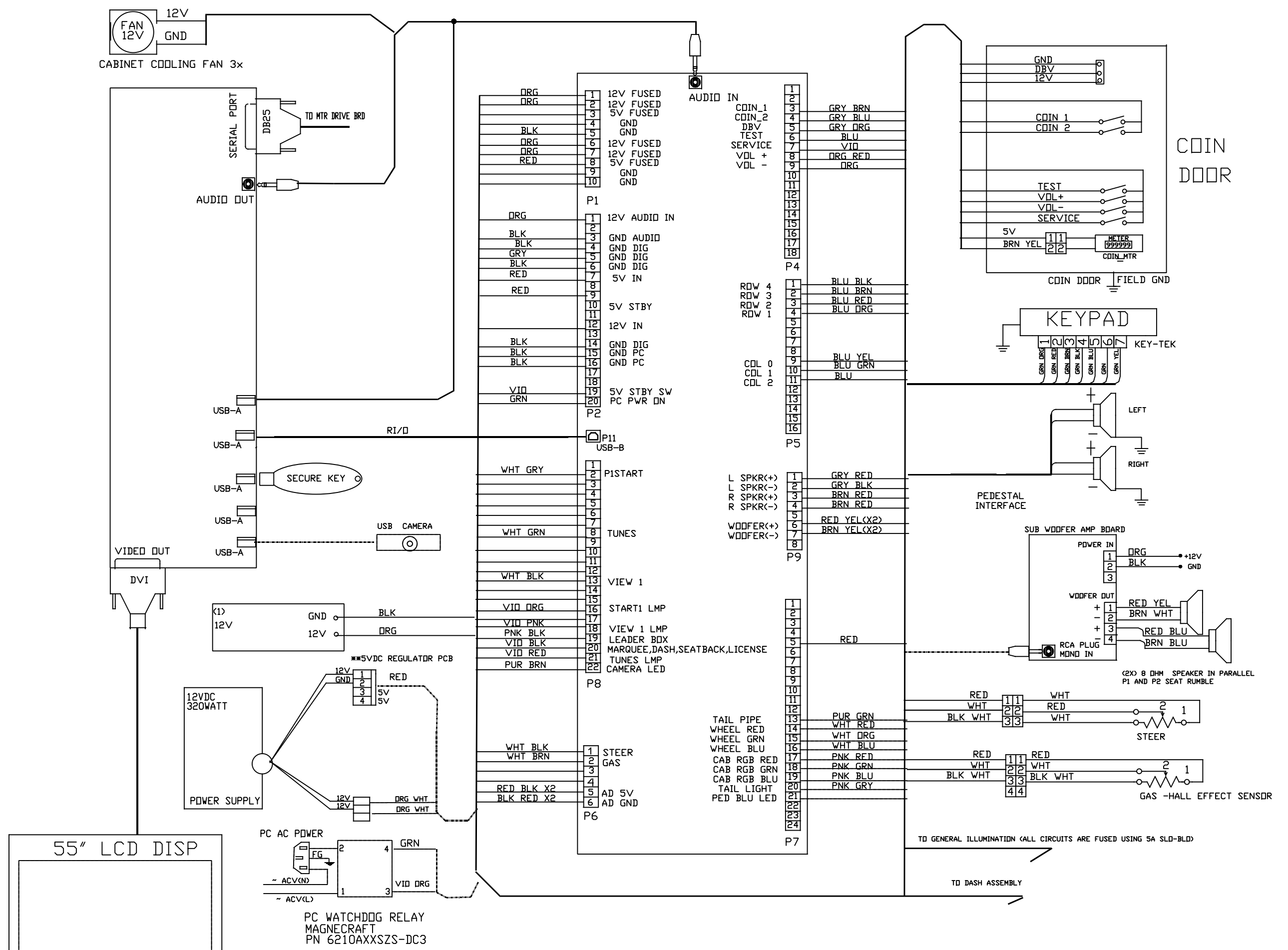
1

B

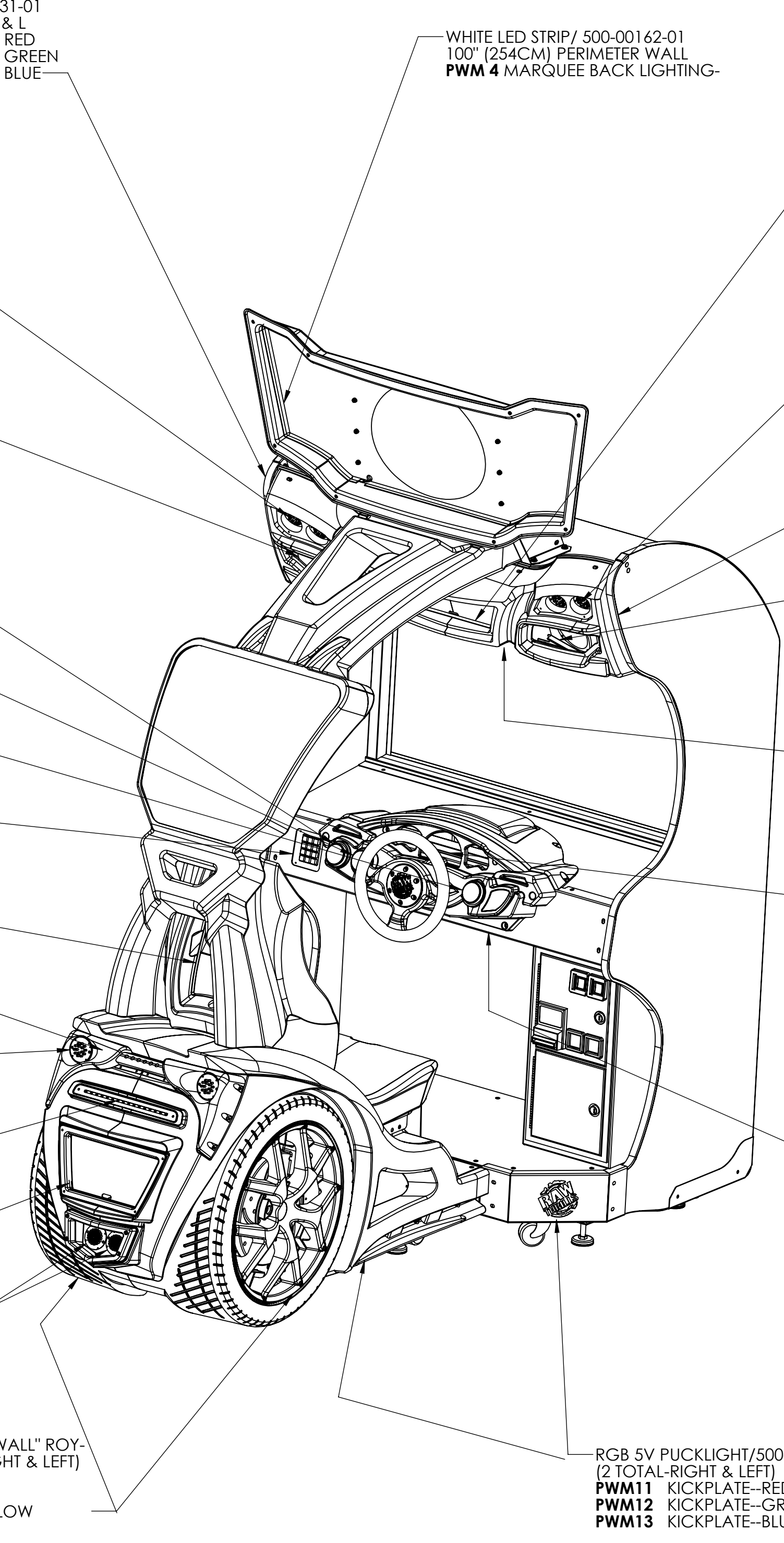
B

A

A



REVISIONS				
ZONE	REV.	DESCRIPTION	DATE	APPROVED
	1	FOR SAMPLE AND QUOTE ONLY	6/24/2016	MJD
B8	2	ADDED PED MID RGB TO 11,12,13 CHANNELS	6/28/2016	MJD
B8, D4, D8	3	REMOVED WHITE HEADLIGHTS FROM PWM 0... REMOVED RED TAIL LIGHTS FROM PWM 15. ADDED RGB SUPERPUCK LIGHTS TO HEADLIGHT AND TAIL LIGHTS LOCATIONS ON PWM 11,12 & 13.	7/14/2016	MJD
	4	REASSIGNED LIGHTING AND CONTROLS AS FOLLOWS- RIO P8:16 [PWM 0] : START BUTTON LAMP RIO P8:17 [PWM 1] : not connected RIO P8:18 [PWM 2] : VIEW BUTTON LAMP (same) RIO P8:19 [PWM 3] : LEADER BOX RIO P8:20 [PWM 4] : MARQUEE/DASH PANEL... (same) RIO P8:21 [PWM 5] : TUNES BUTTON LAMP rest of PWM channels are the same. SWITCH INPUTS AS FOLLOWS- START/NITRO BUTTON SWITCH : RIO P8:2 VIEW BUTTON SWITCH : RIO P8:13 TUNES BUTTON SWITCH : RIO P8:8	7/25/2016	MJD



(1) WHITE LED STRIP /500-00162-01
29" (73 CM)
PWM3 -LEADER LIGHT-

(2) RGB 5V SUPERPUCK /500-00211-01
(4 TOTAL)
PWM11 HEAD LIGHT-- RED
PWM12 HEAD LIGHT--- GREEN
PWM13 HEAD LIGHT--- BLUE

(1)-RGB LED STRIP / 500-00131-01
88.5" (225 CM) - 2 TOTAL-R & L
PWM11 CAB T-MOLDING-- RED
PWM12 CAB T-MOLDING-- GREEN
PWM13 CAB T-MOLDING-- BLUE

(1)-RGB LED STRIP / 500-00131-01
8.25" (21CM)2 TOTAL-R & L
PWM11 SPEAKER-- RED
PWM12 SPEAKER-- GREEN
PWM13 SPEAKER-- BLUE

(1)WHITE LED STRIP/ 500-00093-01
4.00" (10 CM)
PWM6 CAMERA LIGHT

(1)WHITE LED STRIP/ 500-00093-01
10" (25 CM)
PWM4 DASH GRAPHIC PANEL

LED STRIP RGB / 500-00131-01
24" (60 CM)
PWM11 UNDERDASH--RED
PWM12 UNDERDASH--GRN
PWM13 UNDERDASH--BLU

RGB 5V PUCKLIGHT/500-00211-01
(2 TOTAL-RIGHT & LEFT)
PWM11 KICKPLATE--RED
PWM12 KICKPLATE--GRN
PWM13 KICKPLATE--BLU

(1)-RGB LED STRIP / 500-00131-01
88.5" (225 CM) - 2 TOTAL- R & L
PWM11 CAB T-MOLDING-- RED
PWM12 CAB T-MOLDING-- GREEN
PWM13 CAB T-MOLDING-- BLUE

(3) (2) RGB 5V SUPERPUCK /500-00211-01
(4 TOTAL)
PWM11 HEAD LIGHT-- RED
PWM12 HEAD LIGHT--- GREEN
PWM13 HEAD LIGHT--- BLUE

(1)-RGB LED STRIP / 500-00131-01
8.25" (21CM) 2 TOTAL-R & L
PWM11 SPEAKER-- RED
PWM12 SPEAKER-- GREEN
PWM13 SPEAKER-- BLUE

(1) START/NITRO BUTTON LED LAMP
GREEN ROUND/702-00066-01
START LAMP_PWM OUT_0

(1) VIEW BUTTON LED LAMP
BLUE ROUND/702-00067-01
VIEW LAMP_PWM OUT_2

(1) TUNES BUTTON LED LAMP
ORANGE ROUND/702-00068-01
TUNES LAMP_PWM OUT_5

(1) RGB LED STRIP/500-00074-01
18.00" (45CM)
PWM11 KEYPAD -- RED
PWM12 KEYPAD -- GREEN
PWM13 KEYPAD -- BLUE

(1)-WHITE LED STRIP/500-00093-01
30" (76CM)
PWM4 -SEATBACK-

(1)-WHITE LED STRIP w/o foam/500-00093-01
48" (122 CM)
PWM14 -TAIL LIGHT HOUSING GLOW

(3) (2)RGB 5V SUPERPUCK /500-00211-01
PWM11 TAIL LIGHT-- RED
PWM12 TAIL LIGHT-- GREEN
PWM13 TAIL LIGHT-- BLUE

(1) RGB LED STRIP/500-00131-01
10.00" (25CM)
PWM11 MID PEDESTAL LIGHT-- RED
PWM12 MID PEDESTAL LIGHT-- GREEN
PWM13 MID PEDESTAL LIGHT-- BLUE

(1)-WHITE LED STRIP/500-00162-01
30.5" (75 CM)
PWM4 LICENSE PLATE

(2)RED SUPERPUCK /500-00204-01
PWM7 TAILPIPE GLOW-

(2) GW - LED "GREATWALL" ROY-
57" (145 CM) X 2 (RIGHT & LEFT)
PWM8 WHEEL-- RED
PWM9 WHEEL-- ORG
PWM10 WHEEL-- YELLOW

RIO	Function
START LAMP_PWM OUT_0	START BUTTON LAMP
START2 LAMP_PWM OUT_1	not connected
VIEW LAMP_PWM OUT_2	VIEW BUTTON LAMP
VIEW2 LAMP_PWM OUT_3	LEADER BOX- WHT LED STRIPTUNES BUTTON LAMP
VIEW3 LAMP_PWM OUT_4	MARQUEE/DASH PANEL/SEATBACK/LICENSE- WHT LED STRIP
MUSIC LAMP_PWM OUT_5	TUNES BUTTON LAMP
SPARE_PWM OUT_6	CAMERA- WHT LED STRIP
PWM7	TAILPIPE- (2)RED SUPERPUCK
PWM8	WHEEL-- RED (R & L)
PWM9	WHEEL- ORG (R & L)
PWM10	WHEEL- YELLOW (R & L)
PWM11	RGB 5V PUCKS/PEDMID/KEYPAD/KICKPLATE(R&L)/SPEAKS(R&L)/UNDERDASH/TMOLD-RED
PWM12	RGB 5V PUCKS/PEDMID/KEYPAD/KICKPLATE(R&L)/SPEAKS(R&L)/UNDERDASH/TMOLD-GRN
PWM13	RGB 5V PUCKS/PEDMID/KEYPAD/KICKPLATE(R&L)/SPEAKS(R&L)/UNDERDASH/TMOLD-BLU
PWM14	TAILLIGHT GLOW - (WHT LED STRIP)
PWM15	
NOTES:	** 5V LED
RIO	GAME INPUT ASSIGNMENTS
RIO P8:13	VIEW BUTTON SWITCH
RIO P8:8	TUNES BUTTON SWITCH
RIO P8:2	START/NITRO BUTTON SWITH
P6:1	STEER ANALOG /ADC_STEER
P6:2	GAS ANALOG **/ADC_GAS
NOTES:	** USING: HE PCB + POWER SUPPLY 5V & GROUND

CRUIS'N LAMP AND CONTOL - RIO ASSIGNMENT DIAGRAM

PROPRIETARY AND CONFIDENTIAL
THE INFORMATION CONTAINED IN THIS DRAWING IS THE SOLE PROPERTY OF
CRUIS'N LIGHTING & PINOUTS, INC. ANY
REPRODUCTION IN PART OR AS A WHOLE
WITHOUT THE WRITTEN PERMISSION OF
CRUIS'N LIGHTING & PINOUTS, INC. IS
PROHIBITED.

UNLESS OTHERWISE SPECIFIED: DIMENSIONS ARE IN INCHES FRACTIONAL ± ANGULAR ±MACH ± BEND ± TWO PLACE DECIMAL ± THREE PLACE DECIMAL ± INTERPRET GEOMETRIC TOLERANCING PER: MATERIAL FINISH NEXT ASSY USED ON APPLICATION	NAME DATE DRAWN CHECKED ENG APPR. MFG APPR. Q.A. COMMENTS:	RAW THRILLS, INC TITLE: CRUIS'N LIGHTING DIAGRAM SIZE DWG. NO. REV D Cruisn-Lighting & Pinouts-REV-4 4 SCALE: 1:10 WEIGHT: SHEET 1 OF 1
---	--	---



FOR THE LATEST VERSION OF THIS DOCUMENT VISIT: WWW.RAWTHRILLS.COM

SERVICE CONTACT INFORMATION:

Contact Betson Enterprise Headquarters or your local Betson office for sales, technical information, warranty or repair. Betson can be reached at (800) 524-2343 Fax (201) 438-4837 www.betson.com

Betson Enterprises Headquarters

303 Paterson Plank Rd.

Carlstadt, NJ 07072

(800) 524-2343 or (201) 438-1300

fax (201) 438-4837

