

**FOOSBALL CATALOG NO. 2003**

**SERVICE PARTS AND ACCESSORIES**

EFFECTIVE: JANUARY 31, 2003

PRICES SUBJECT TO CHANGE WITHOUT NOTICE.

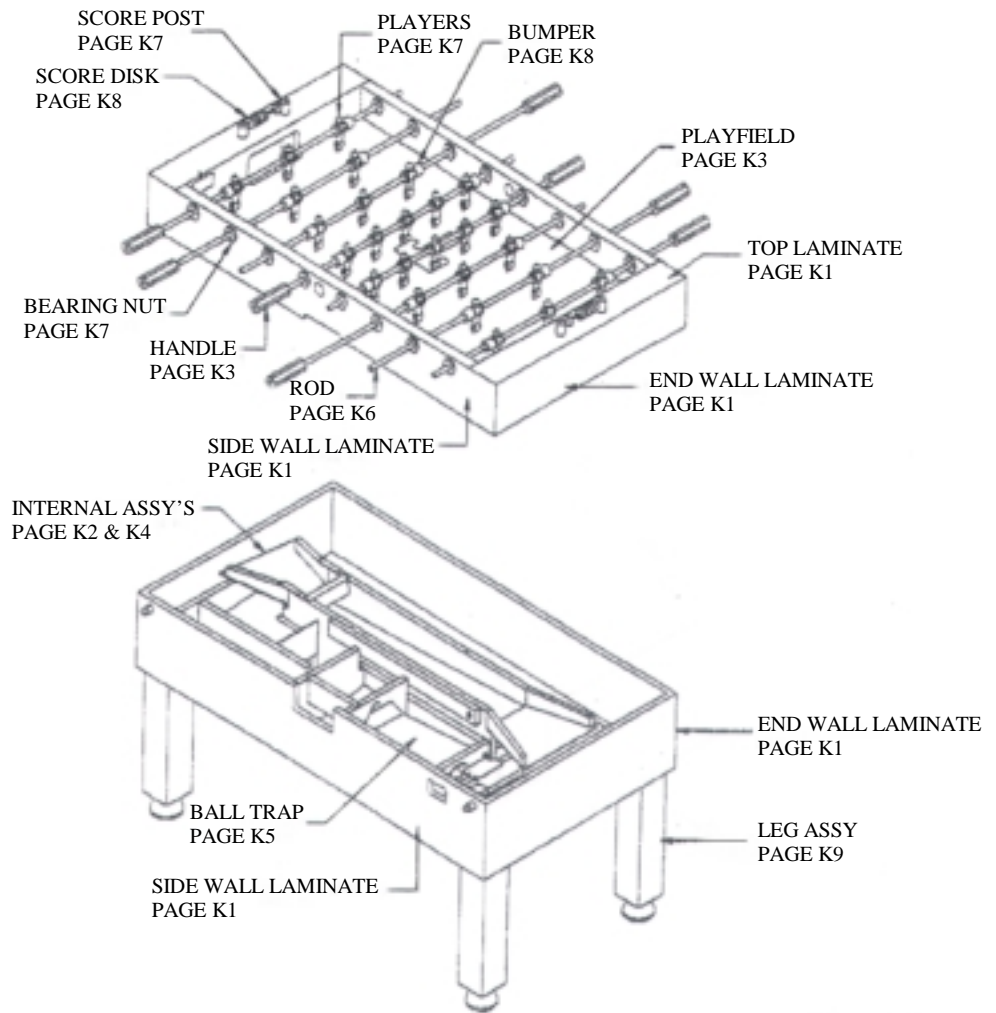
MINIMUM VALLEY PARTS ORDER; \$50.00

Concealed and exposed damage claims must be filed against transportation company.

All claims against invoices must be made within 10 days from date of invoice. *WE DO NOT INSURE DELIVERY OR SAFE ARRIVAL OF PRODUCT. OUR RESPONSIBILITY ENDS UPON DELIVERY OF PRODUCT TO TRANSPORTATION COMPANY.*

We will not accept returned merchandise without a **Return Merchandise Authorization** number!!! A 20% restocking fee will be charged for all returned merchandise.

CO-2000 COIN SOCCER  
SERVICE AND REPLACEMENT PART INDEX



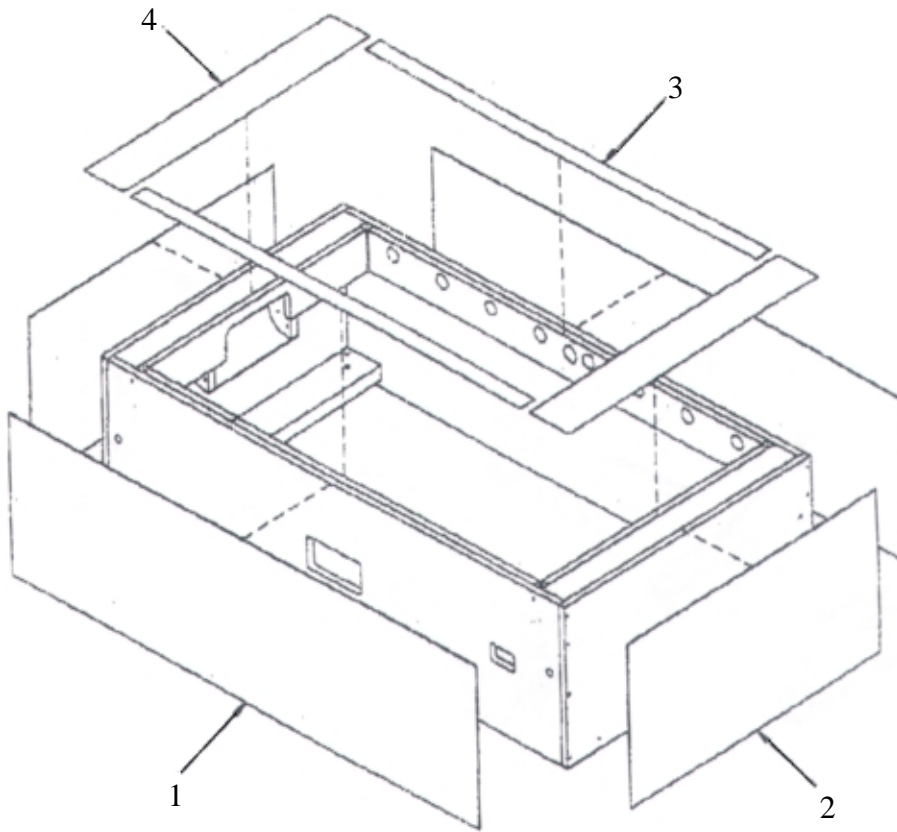
LAMINATE

| <u>ITEM NO.</u> | <u>PART NUMBER</u>       | <u>PART DESCRIPTION</u>                        |
|-----------------|--------------------------|--|
| 1               | P968060045<br>P968060046 | BS SIDE WALL LAMINATE<br>JM SIDE WALL LAMINATE |
| 2               | P968060050<br>P968060051 | BS END WALL LAMINATE<br>JM END WALL LAMINATE   |
| 3               | P21305080                | EC TOP SIDE LAM                                |
| 4               | P21305090                | EC TOP END LAM                                 |

COLOR CODE:  
BS – TAJ TEAK

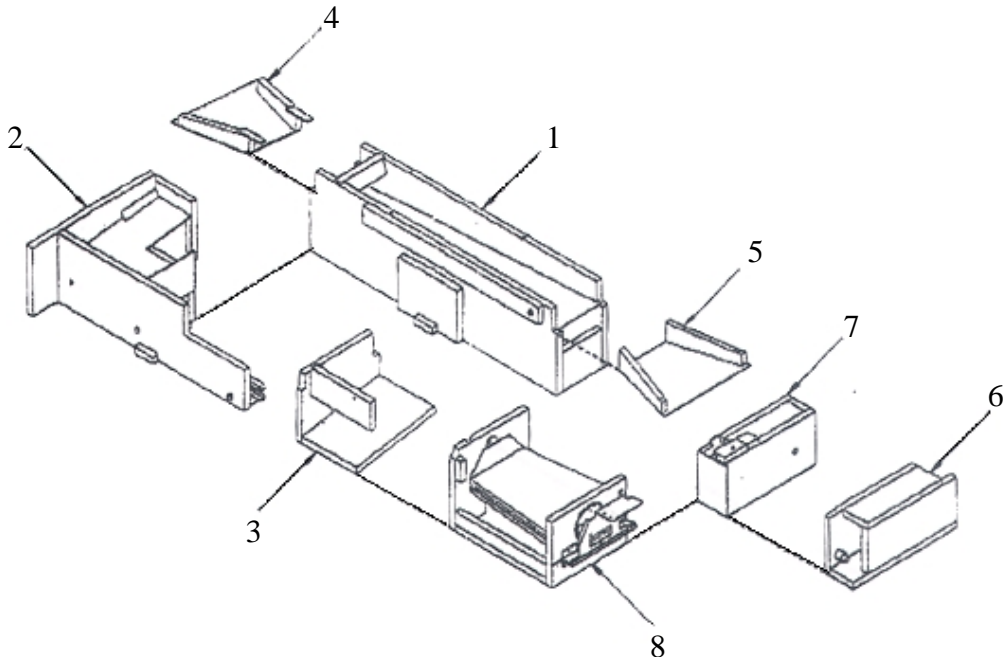
JM – JEWEL MAHOGANY

EC - BLACK



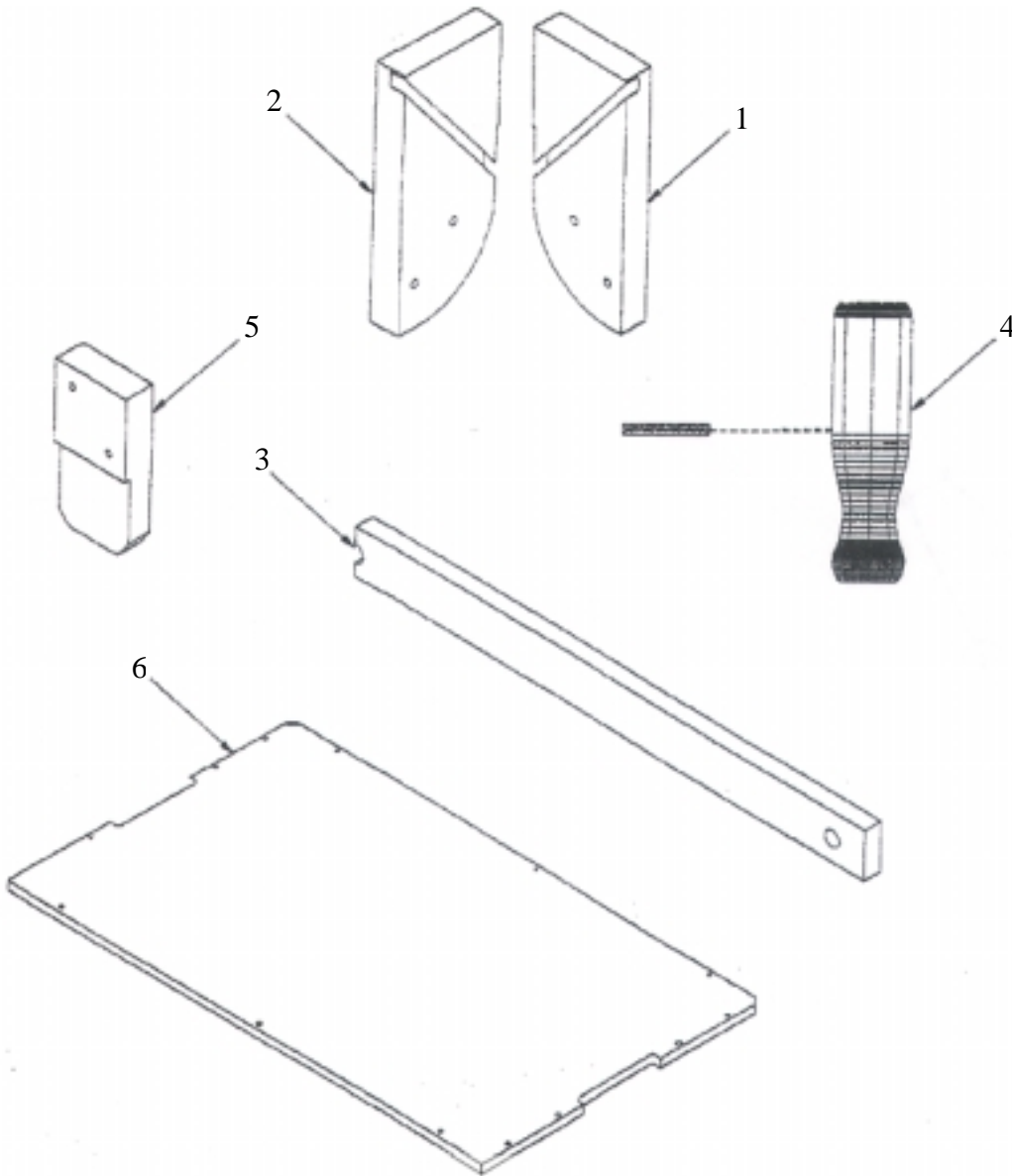
INTERNAL ASSEMBLIES

| <u>ITEM NO.</u> | <u>PART NUMBER</u>      | <u>PART DESCRIPTION</u>                |
|-----------------|-------------------------|--|
| 1               | PTSYOOTCR-0             | CENTER RAMP                            |
| 2               | PTSYOOTTR-0             | TURN RAMP                              |
| 3               | PTSYOORDR-0             | READY RAMP                             |
| 4               | PTSYOODRL-0<br>12100100 | DIAMOND RAMP LEFT<br>DIAMOND RAMP TABS |
| 5               | PTSYOODRR-0             | DIAMOND RAMP RIGHT                     |
| 6               | PTSYOOCBL-0             | COIN BOX LOCKING ASSY                  |
| 7               | PTSYOOCBA-0             | CASH BOX ASSY                          |
| 8               | PTSYOOBTA-0             | BALL TRAP ASSY                         |



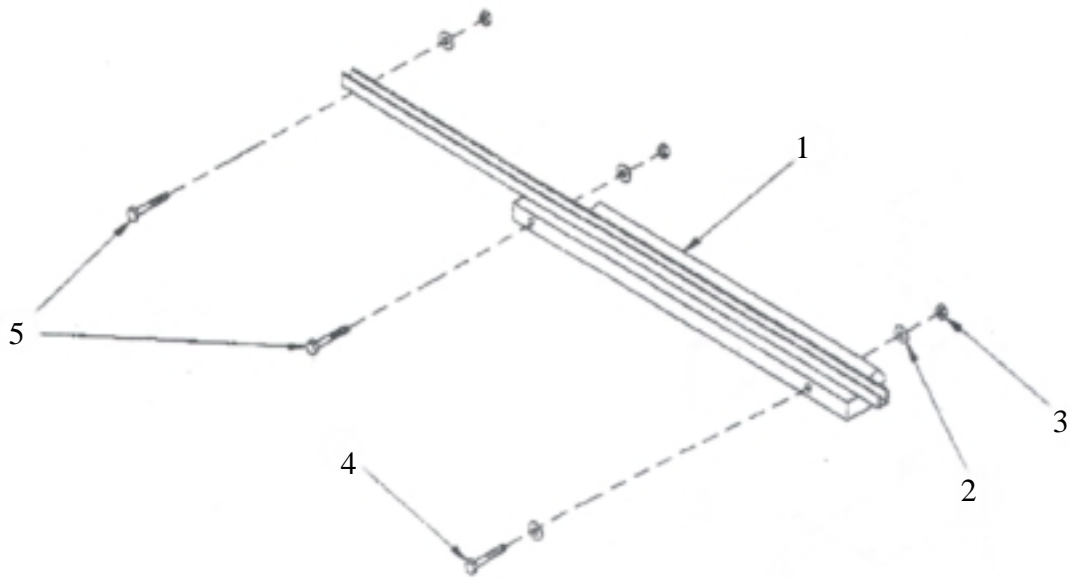
MISCELLANEOUS WOOD PARTS

| <u>ITEM NO.</u> | <u>PART NUMBER</u> | <u>PART DESCRIPTION</u>   |
|-----------------|--------------------|---------------------------|
| 1               | 11200180           | GOAL BOX RIGHT SIDE       |
| 2               | 11200170           | GOAL BOX LEFT SIDE        |
| 3               | P968060080         | PROP STICK                |
| 4               | 21706700           | HANDLE                    |
|                 | 21706690           | ROLL PIN                  |
| 5               | P968060260         | LOCK TONGUE               |
|                 | 20100120           | LOCK TONGUE SCREW #10x1 ¼ |
| 6               | PTSYOOSPS-2        | PLAYFIELD                 |
|                 | 20100260           | PLAYFIELD SCREW #8x2 1/2  |



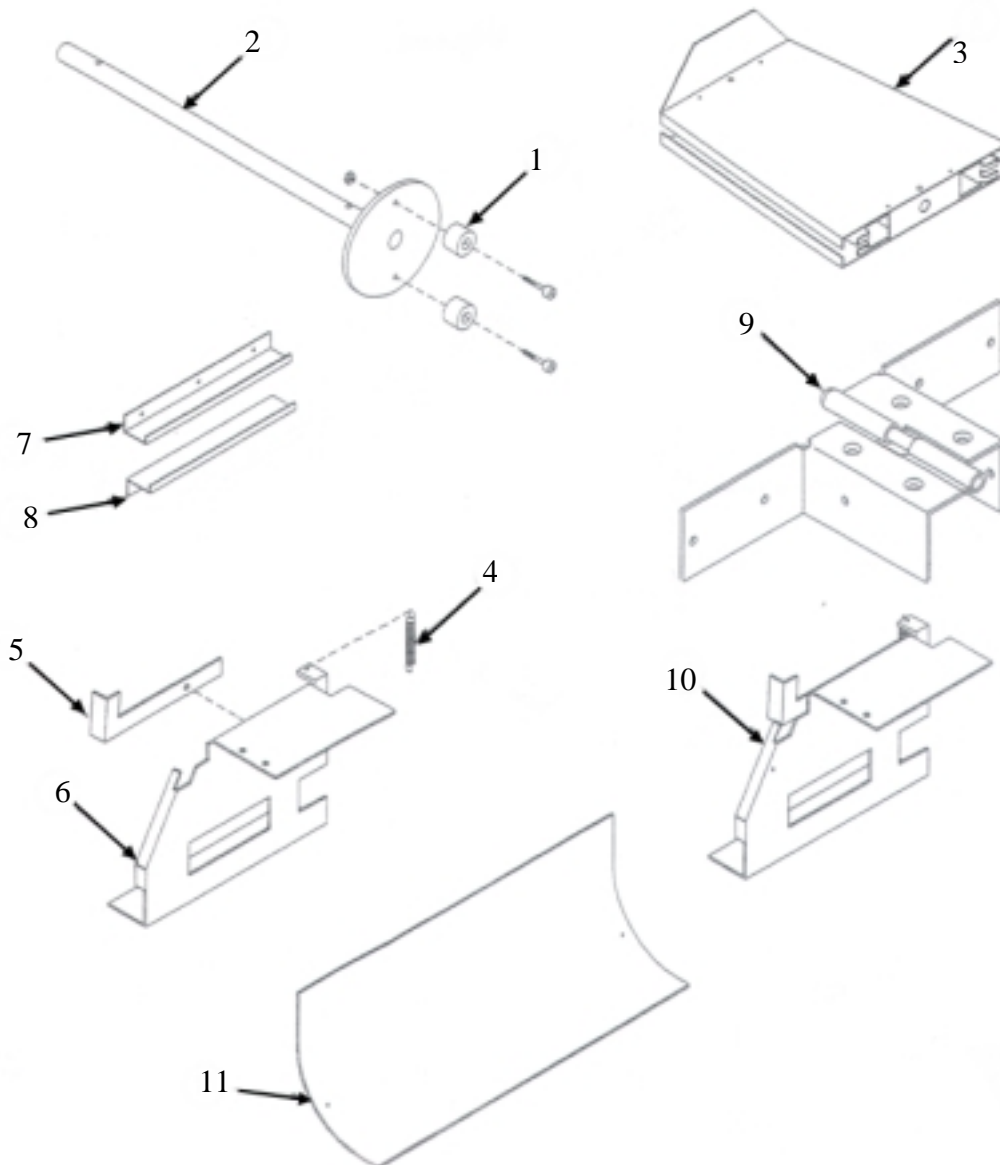
BALL CHANNEL ASSEMBLY

| <u>ITEM NO.</u> | <u>PART NUMBER</u> | <u>PART DESCRIPTION</u>    |
|-----------------|--------------------|----------------------------|
| 1               | TSYOOBCT-0         | BALL CHANNEL ASSY          |
| 2               | 20400090           | WASHER                     |
| 3               | 20300870           | BALL CHANNEL NUT ¼-20      |
| 4               | 20201230           | BALL CHANNEL BOLT ¼-20x3   |
| 5               | 20201480           | BALL CHANNEL BOLT ¼-20x3 ½ |



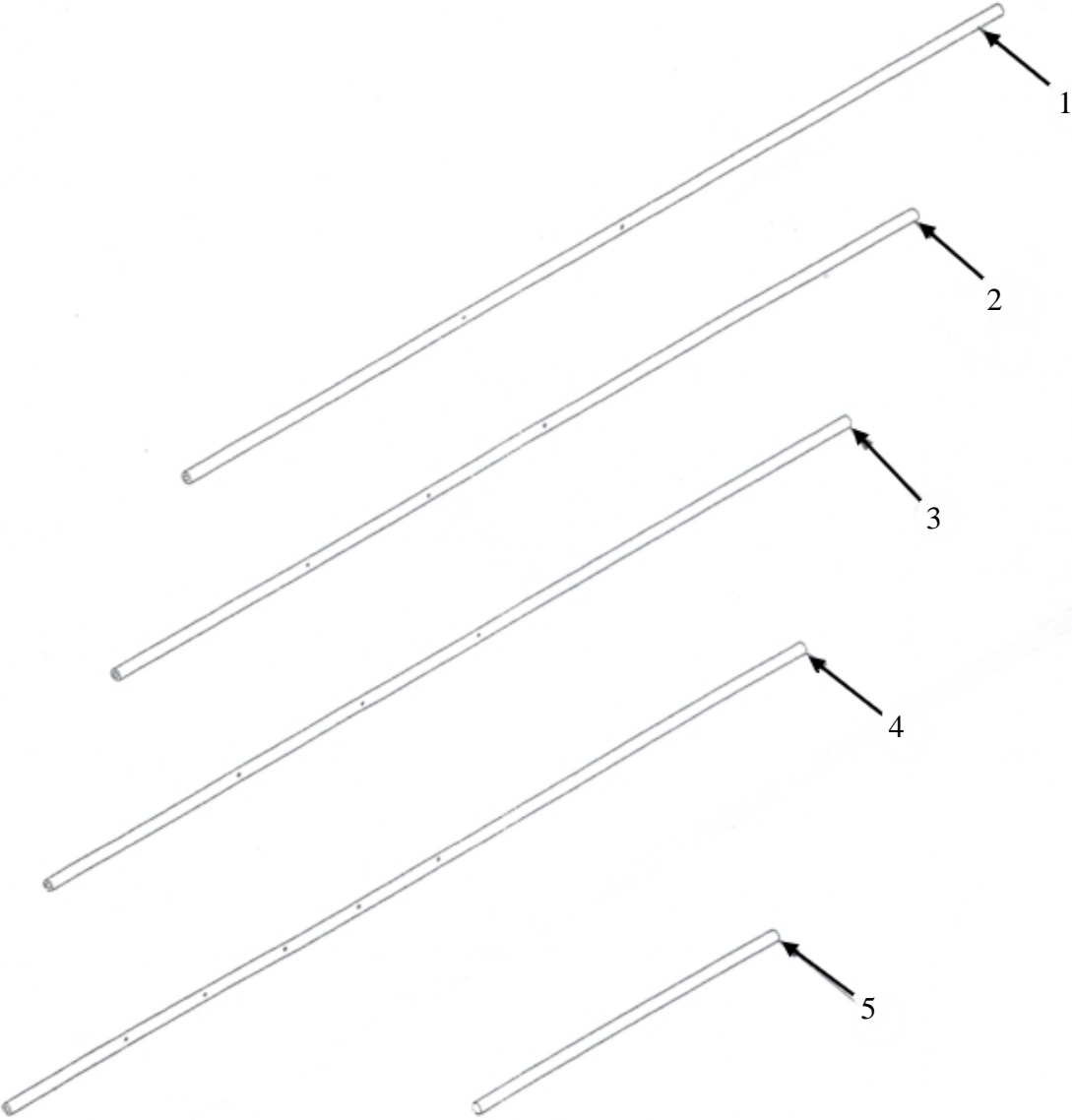
MISCELLANEOUS METAL PARTS

| <u>ITEM NO.</u> | <u>PART NUMBER</u> | <u>PART DESCRIPTION</u>              |
|-----------------|--------------------|--------------------------------------|
| 1               | 20606690           | SHOULDER BOLT BEARING                |
|                 | 20201260           | SHOULDER BOLT 1/4-20X 5/16 - 3/8     |
|                 | 20300840           | SHOULDER BOLT NUT 1/4-20             |
| 2               | PTSYOOBTA00401     | BALL TRAP ROD ASSY                   |
| 3               | PTSYOOBTA00501     | BALL TRAP                            |
| 4               | 21706590           | GATE ARM SPRING                      |
| 5               | 20606680           | GATE ARM                             |
| 6               | 20606671           | PUSH CHUTE END                       |
| 7               | 20606651           | GATE TOP GUIDE                       |
| 8               | 20606660           | GATE BOTTOM GUIDE                    |
| 9               | 720100200          | HINGE ASSY                           |
|                 | 20100260           | #8X 2 1/2 Flat Hd Phil (4 per hinge) |
|                 | 20100360           | #8X 3/4 Hex Hd (8 per hinge)         |
| 10              | PTSYOOBTA00301     | BALL TRAP GATE ASSY                  |
| 11              | 20606611           | GOAL BOX DEFLECTOR                   |



MISCELLANEOUS METAL PARTS

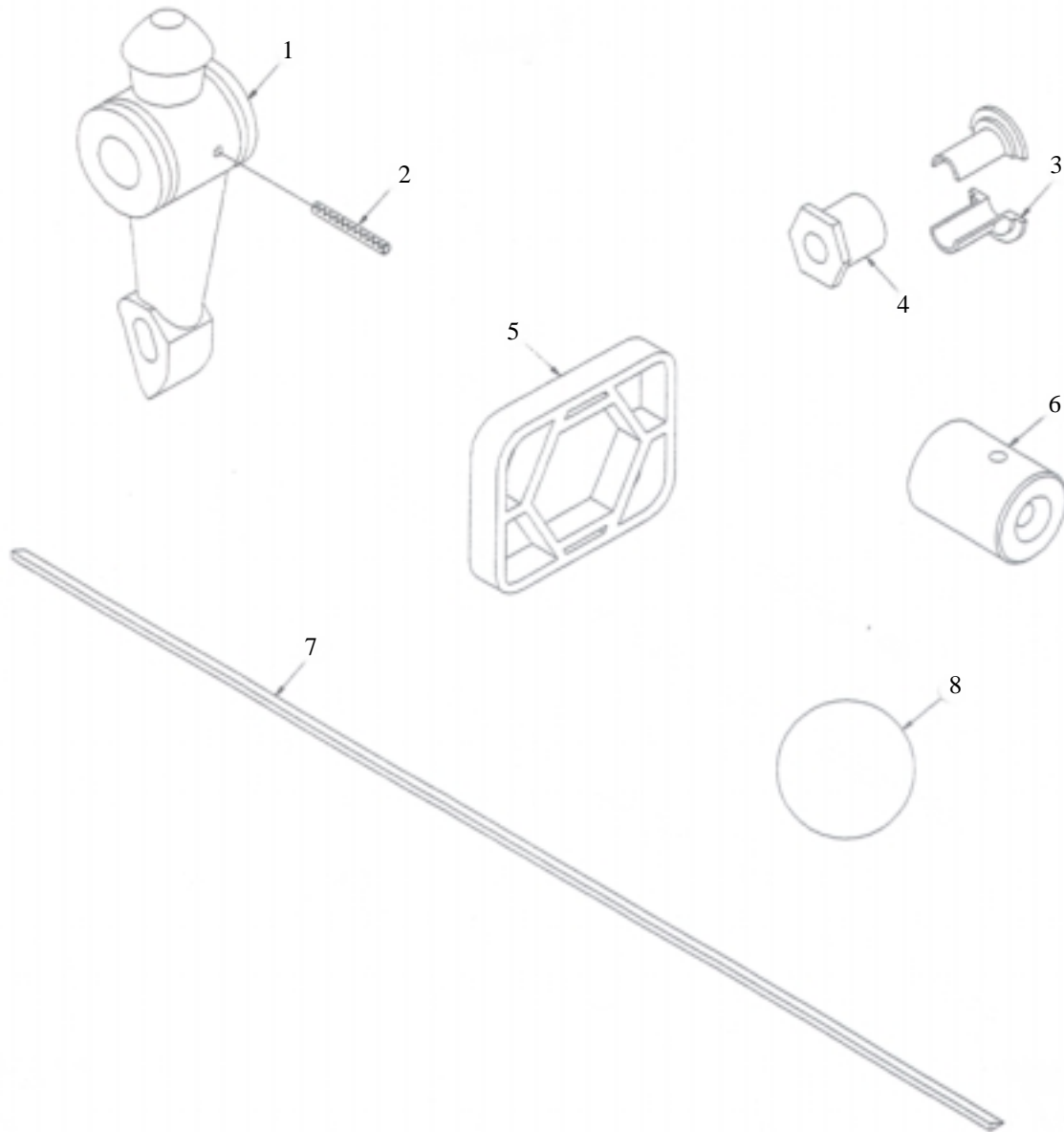
| <u>ITEM NO.</u> | <u>PART NUMBER</u> | <u>PART DESCRIPTION</u>  |
|-----------------|--------------------|--------------------------|
| 1               | 20606811           | 2-MAN ROD (48 3/8")      |
| 2               | 20606821           | 3-MAN ROD (43 3/8")      |
| 3               | 20606831           | GOALIE MAN ROD (41 1/2") |
| 4               | 20606841           | 5-MAN ROD (38 7/8")      |
| 5               | 20607500           | SCORE POST ROD           |





MISCELLANEOUS PLASTIC PARTS

| <u>ITEM NO.</u> | <u>PART NUMBER</u> | <u>PART DESCRIPTION</u>    |
|-----------------|--------------------|----------------------------|
| 1               | 20515221           | BLACK PLAYER               |
|                 | 20515231           | YELLOW PLAYER              |
| 2               | 21706690           | ROLL PIN                   |
| 3               | 20515210           | BEARING (Sold in halves)   |
| 4               | 20515201           | BEARING NUT                |
| 5               | 20515191           | BEARING WRENCH             |
| 6               | 20515181           | SCORE POST                 |
|                 | 20102490           | SCORE POST SCREW #10x2 1/2 |
| 7               | 20515131           | PLAYFIELD TRIM             |
| 8               | 20515170           | FOOSBALL                   |

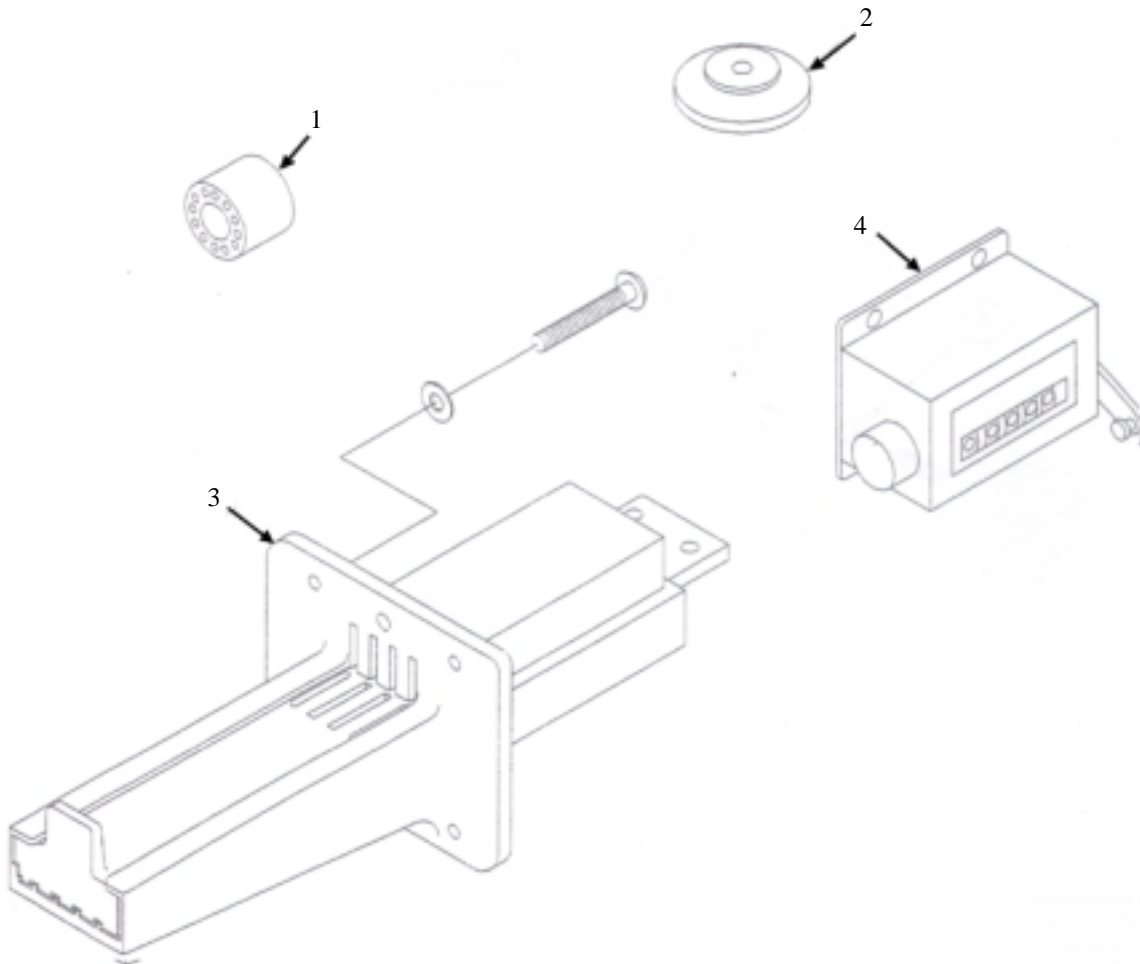


MISCELLANEOUS PARTS

| <u>ITEM NO.</u> | <u>PART NUMBER</u> | <u>PART DESCRIPTION</u>         |
|-----------------|--------------------|---------------------------------|
| 1               | 20701060           | BUMPER                          |
| 2               | 21706640           | BLONDE SCORE DISK               |
|                 | 21706650           | BLACK SCORE DISK                |
| 3               | 890000620          | ESD COIN CHUTE – V5 (Set @ .75) |
|                 | 20201550           | P.C. SCREW 10-32x1/2            |
|                 | 20400060           | WASHER                          |
| 4               | 21707910           | COUNTER W/ ARM                  |

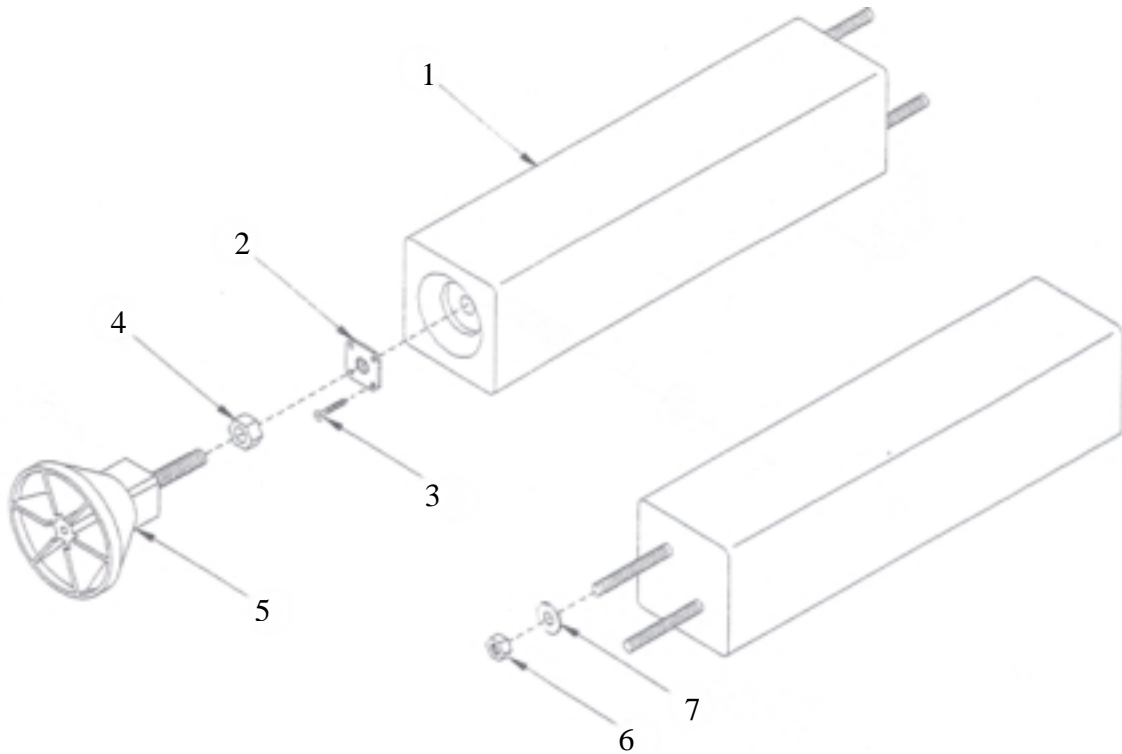
ACCESSORIES

| <u>PART NUMBER</u> | <u>PART DESCRIPTION</u> |
|--------------------|-------------------------|
| 21706620           | RULE BOOK               |
| 988000125          | SILICONE 2 oz           |
| 21706670           | ROLL PIN PUNCH          |
| 21706690           | ROLL PIN                |



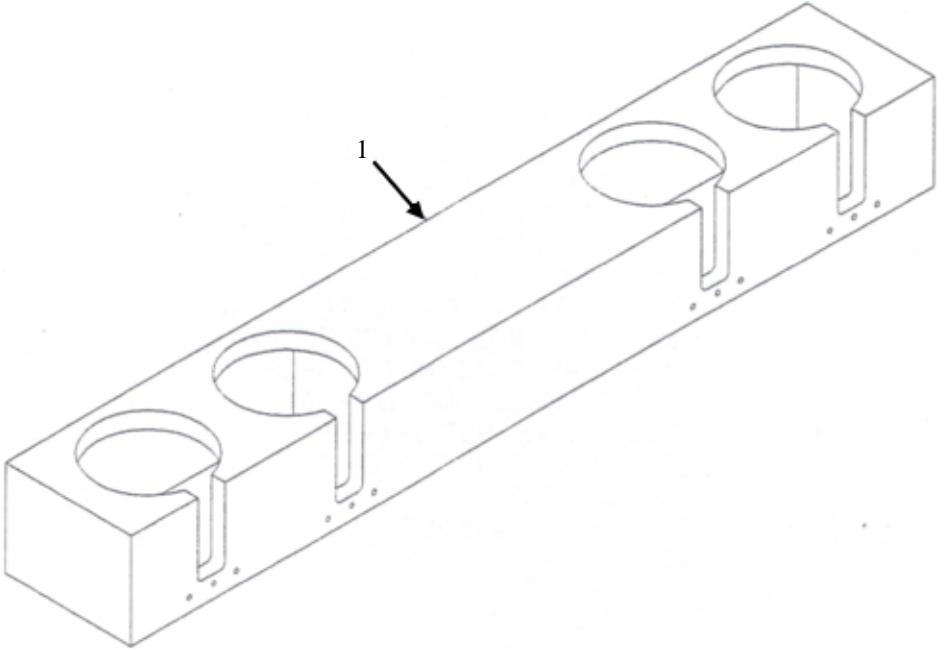
LEG

| <u>ITEM NO.</u> | <u>PART NUMBER</u> | <u>PART DESCRIPTION</u>      |
|-----------------|--------------------|------------------------------|
| 1               | TSYOOSLS-1         | LEG W/ PLATE AND HANGER BOLT |
| 2               | 20600961           | LEG ADJUSTMENT PLATE         |
| 3               | 20100100           | LEG PLATE SCREW #8x1         |
| 4               | 20300890           | LEG LEVELER NUT 1/2-13       |
| 5               | 20515140           | LEG LEVELER                  |
| 6               | 20300900           | LEG NUT 3/8-16               |
| 7               | 20401080           | LEG WASHER                   |



DRINK RACKS

| <u>ITEM NO.</u> | <u>PART NUMBER</u> | <u>PART DESCRIPTION</u>            |
|-----------------|--------------------|------------------------------------|
| 1               | TSYBSDDK-0         | DELUXE DRINK RACK – TAJ TEAK       |
|                 | TSYJMDDK-0         | DELUXE DRINK RACK – JEWEL MAHOGANY |
|                 | 20100760           | DRINK RACK SCREW #8x1 1/2          |



## LOCKS

| <u>PART NUMBER</u> | <u>PART DESCRIPTION</u> |
|--------------------|-------------------------|
| 21200610           | CASH BOX LOCK #90095    |
| 21200620           | CABINET LOCK #90094     |
| 21200680           | KEY ONLY #90094         |
| 21200690           | KEY ONLY #90095         |
| 21200700           | KEY ONLY #90001         |

## HARDWARE

| <u>PART NUMBER</u> | <u>PART DESCRIPTION</u>                     |
|--------------------|---|
| 20100100           | LEG PLATE SCREW #8x1                        |
| 20100120           | BALL TRAP & LOCK TONGUE SCREW #10x1 1/4     |
| 20100260           | DIAMOND RAMP & PLAYFIELD SCREW #8x2 1/2     |
| 20100360           | TURN RAMP SCREW #8x3/4                      |
| 20100760           | DRINK RACK SCREW #8x1 1/2                   |
| 20101090           | DIAMOND RAMP LF & CABINET LOCK SCREW #6x3/4 |
| 20102460           | GATE TOP & COUNTER SCREW #6x1/2             |
| 20102470           | COIN BOX LOCK SCREW #6x1/2                  |
| 20102490           | SCORE POST SCREW #10x2 1/2                  |
| 20200710           | PROP STICK BOLT 1/4-20x2                    |
| 20201230           | BALL CHANNEL BOLT 1/4-20x3                  |
| 20201250           | BALL TRAP GATE CAP SCREW 10-32x1/2          |
| 20201260           | BALL TRAP ROD SHOULDER BOLT 1/2-20x5/16     |
| 20201280           | LEG HANGER BOLT 3/8-16x6                    |
| 20201480           | TURN RAMP & BALL CHANNEL BOLT 1/4-20x3 1/2  |
| 20201550           | COIN CHUTE SCREW 10-32x1/2                  |
| 20300840           | BALL TRAP ROD & PROP STICK NUT 1/4-20       |
| 20300860           | BALL TRAP GATE NUT #10-32                   |
| 20300870           | BALL CHANNEL NUT 1/4-20                     |
| 20300880           | HINGE ACORN NUT 1/4-20                      |
| 20300890           | LEG LEVELER NUT 1/2-13                      |
| 20300900           | LEG NUT 3/8-16                              |
| 20400060           | COIN CHUTE WASHER                           |
| 20400090           | BALL CHANNEL ASSY & PROP STICK WASHER       |
| 20401080           | LEG WASHER                                  |
| 20515120           | BALL TRAP WASHER                            |
| 20506690           | SHOULDER BOLT BEARING                       |