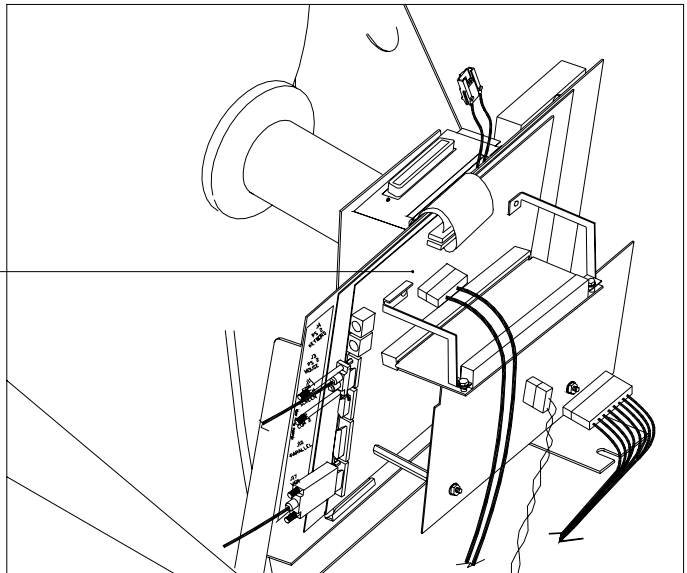
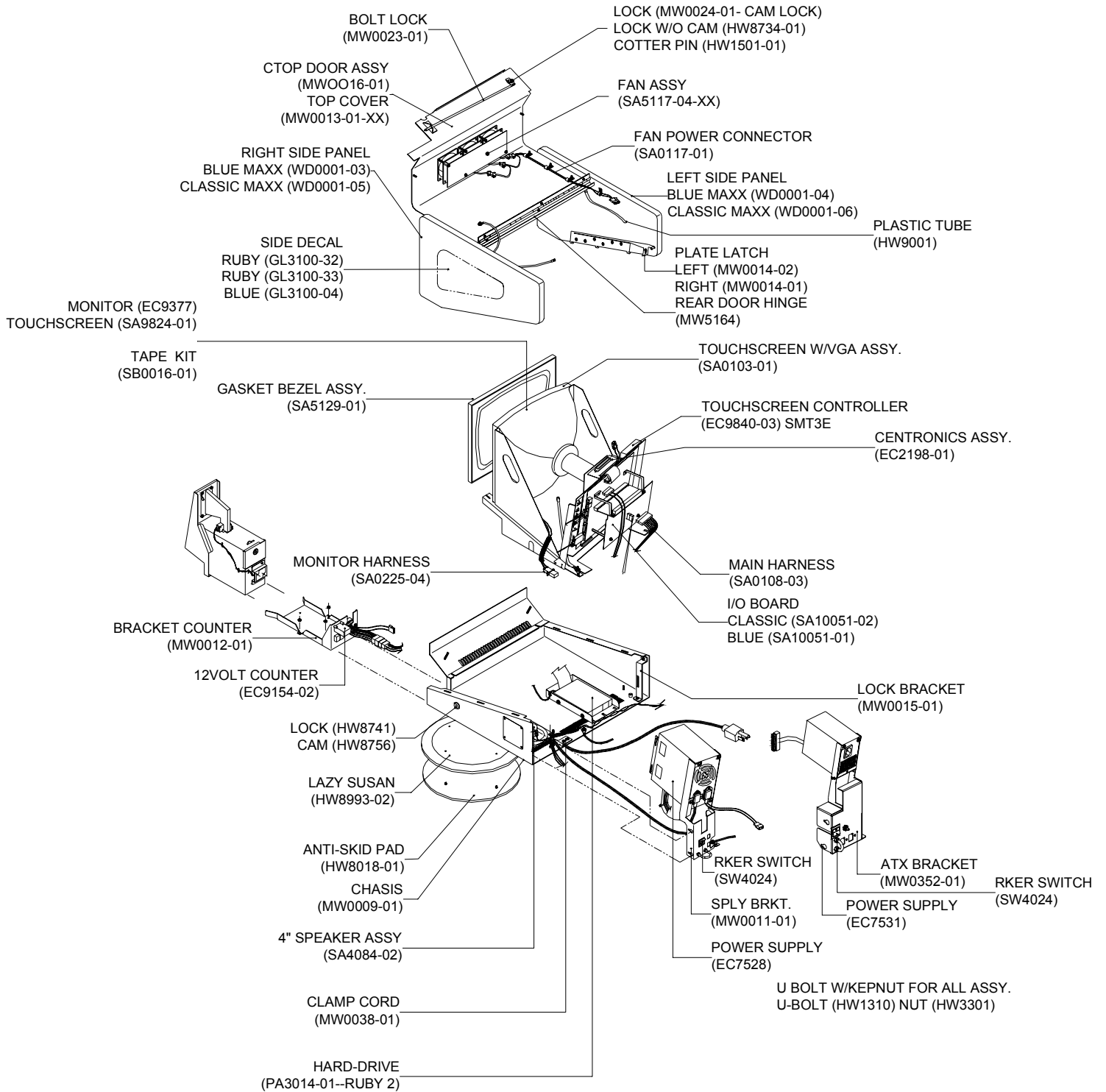


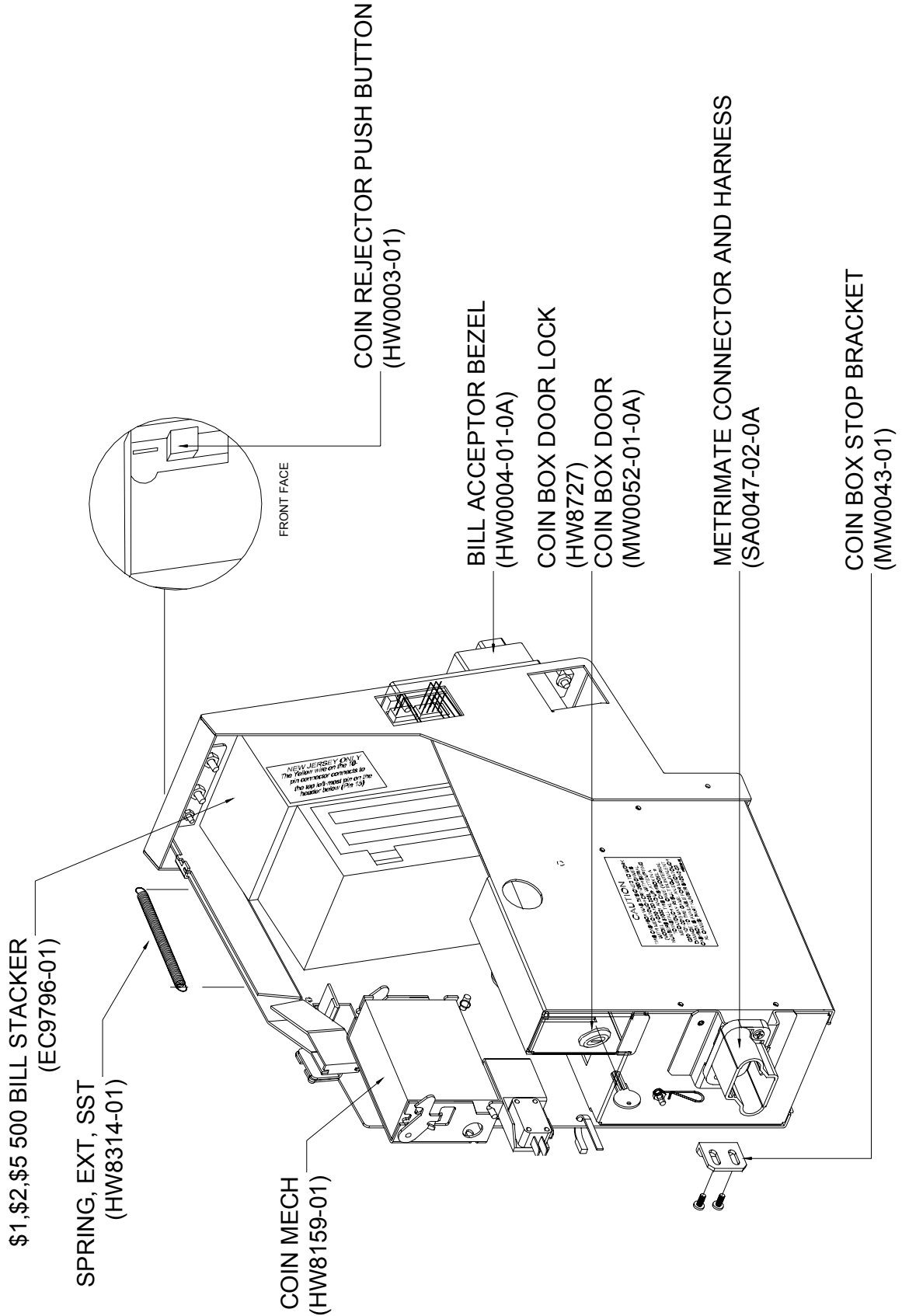
PCB GUIDES
2.5" (HW0020-01)
3" (HW0020-02)

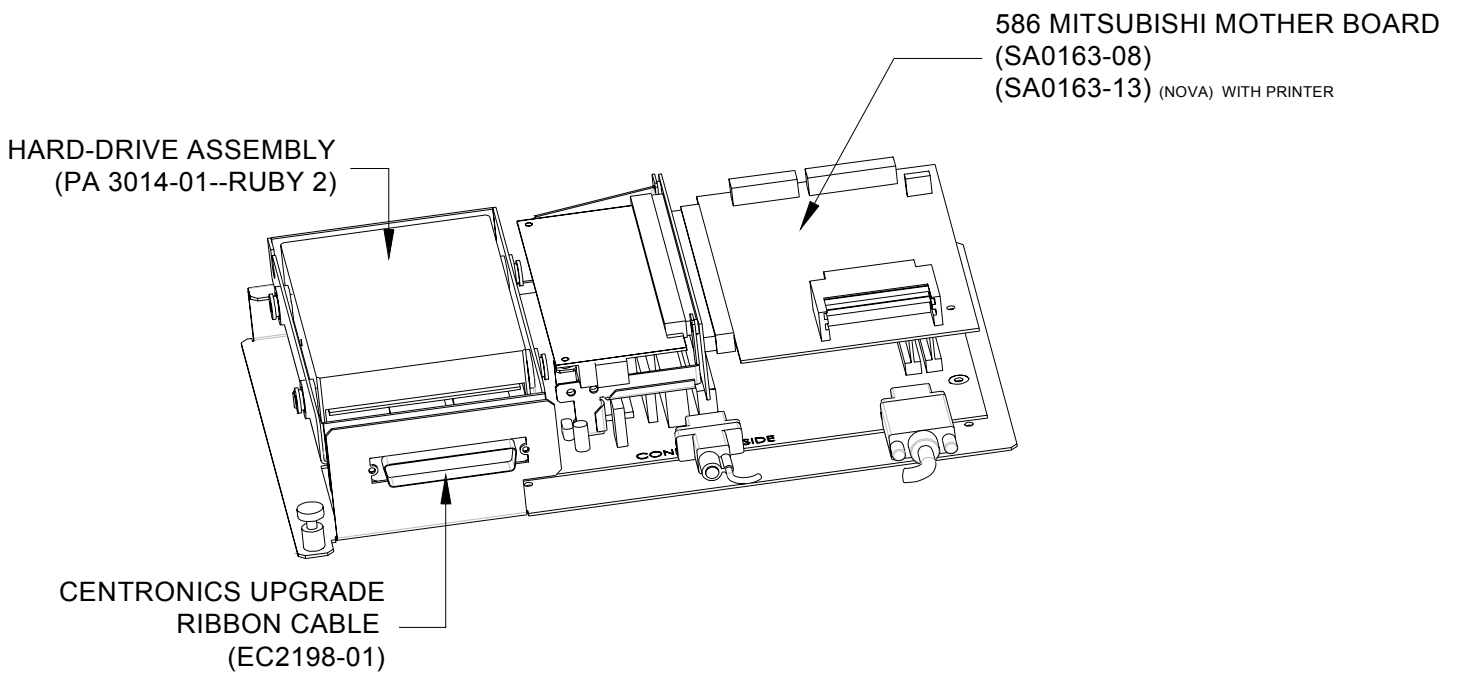
586 MITSUBISHI MOTHERBOARD ASSY.
(SA0163-08)
(SA0163-13)_(NOVA) WITH PRINTER

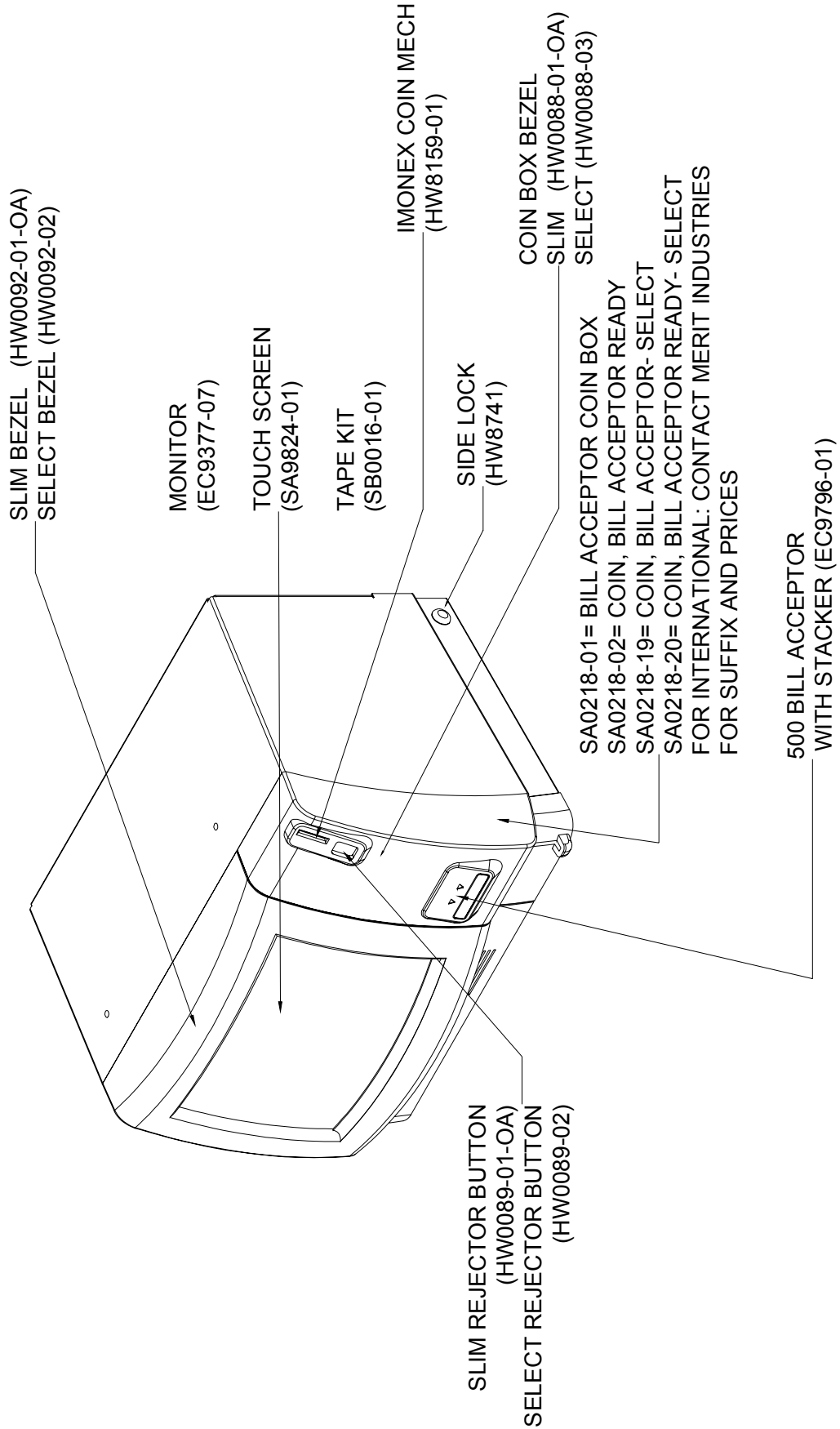
TWO SLOT RISER BOARD (EC0028-02)
DISPLY FRAME (MW0010-02)
I/O BOARD (SA10051-01)
SDRAM 32MB (EC0027-01)

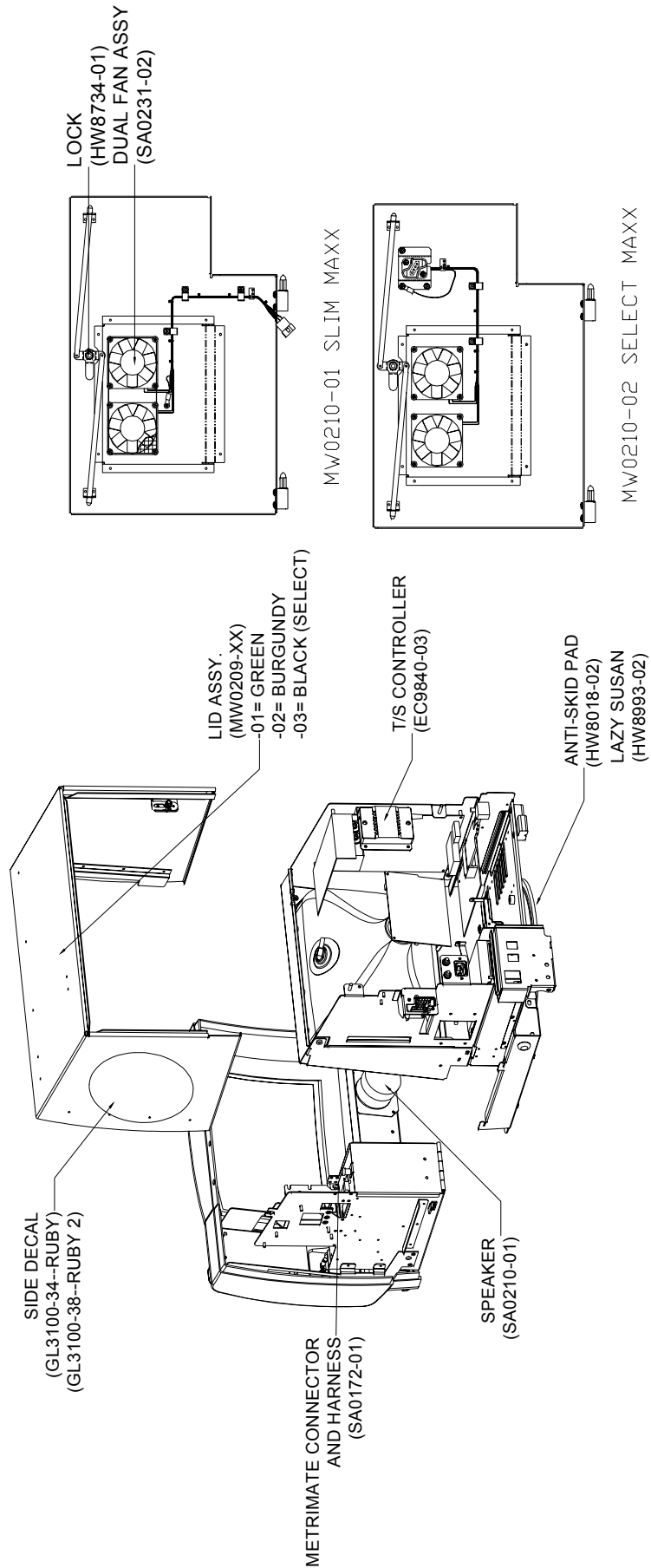


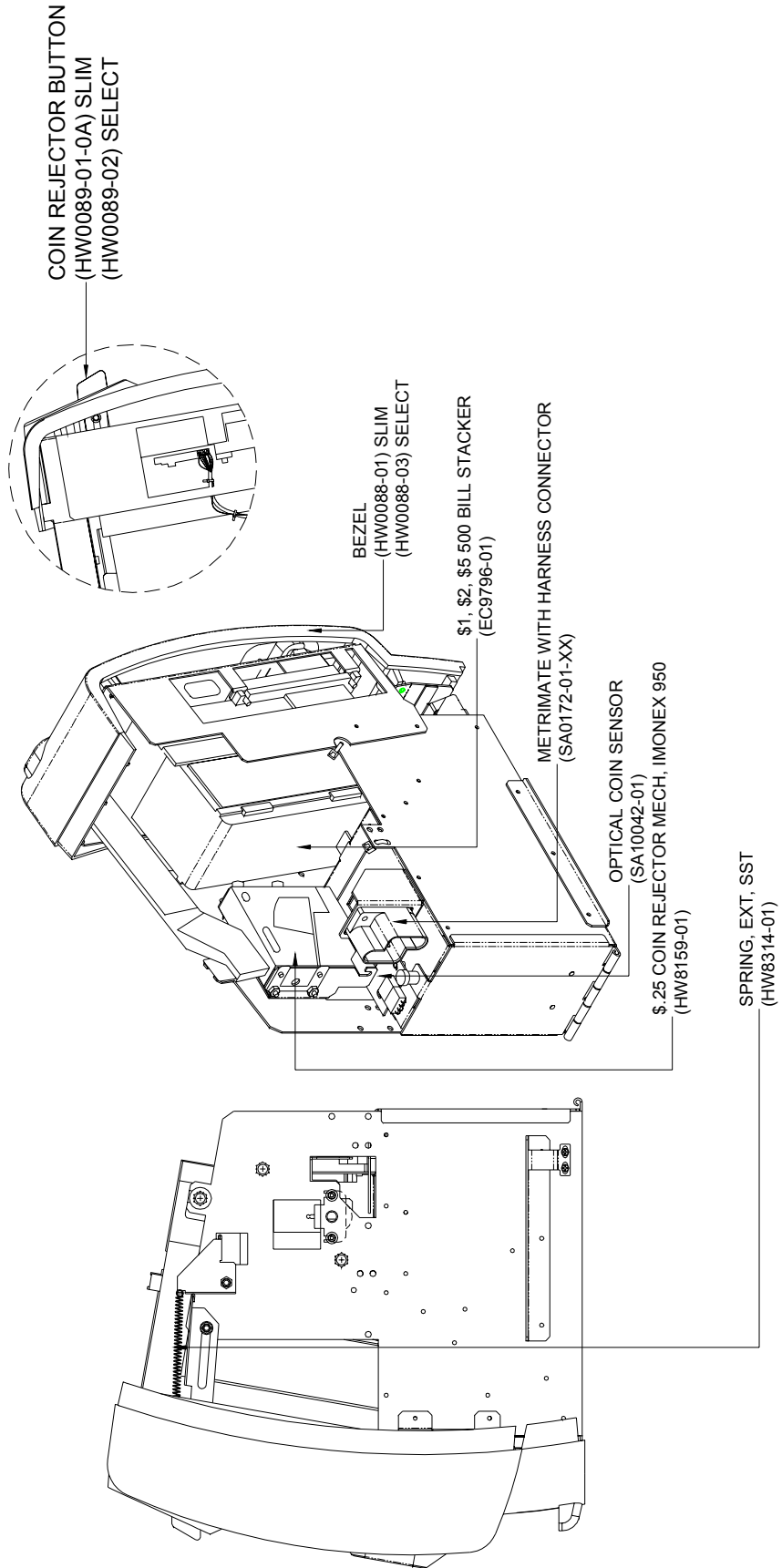


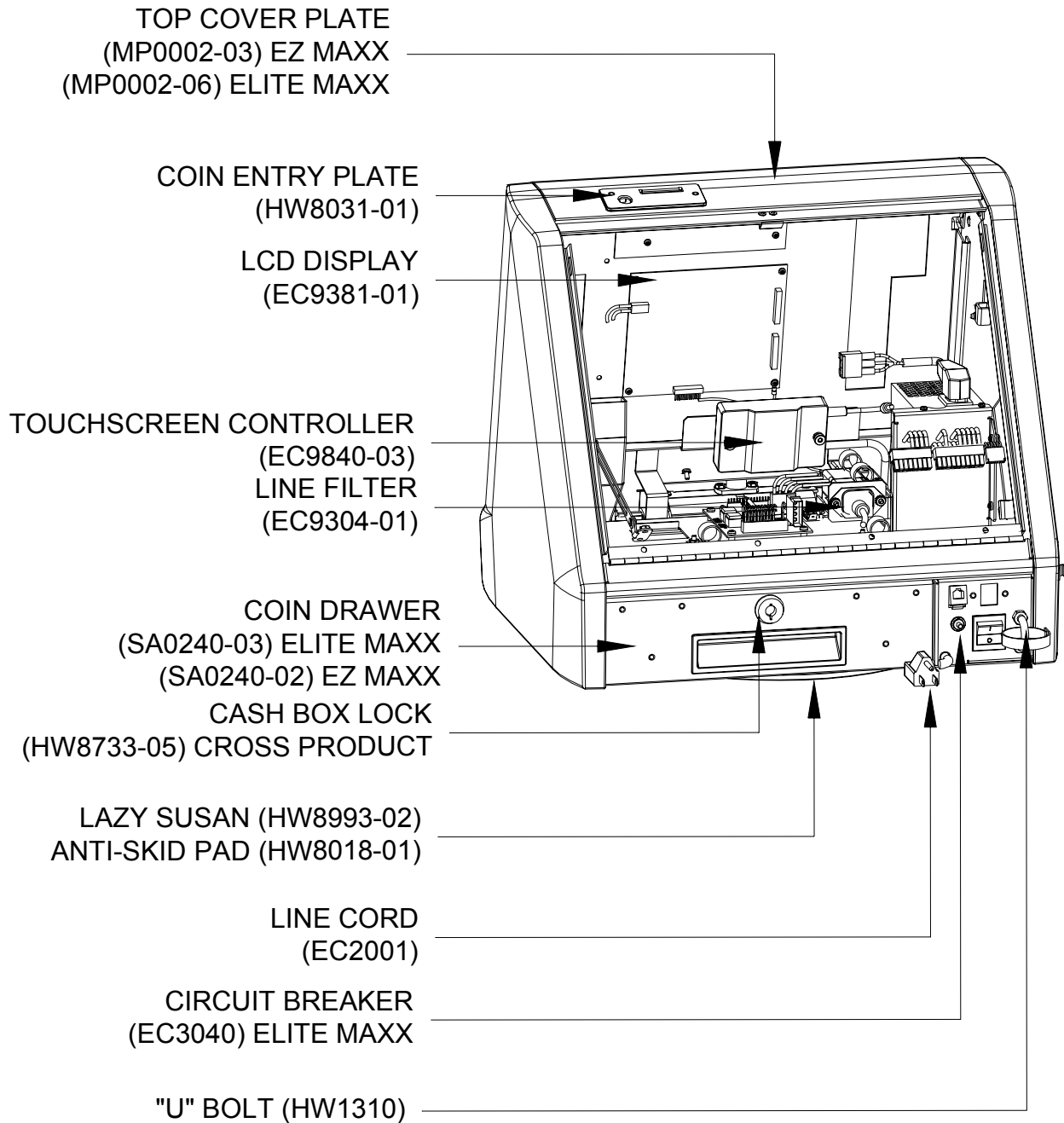


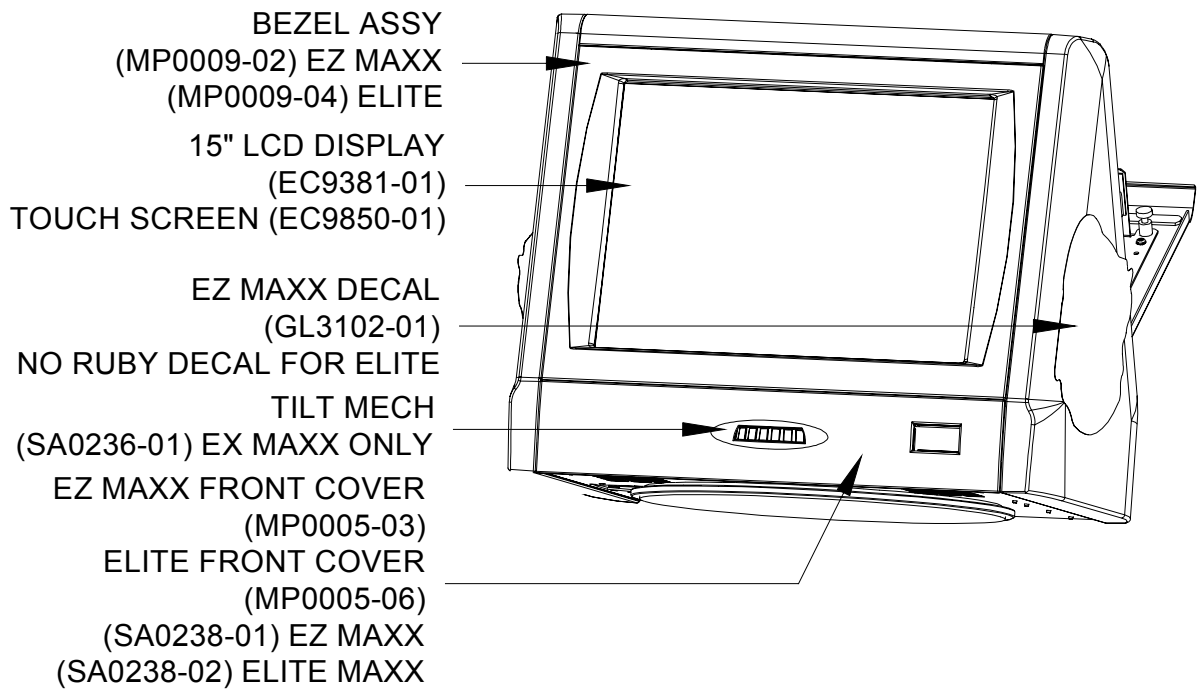


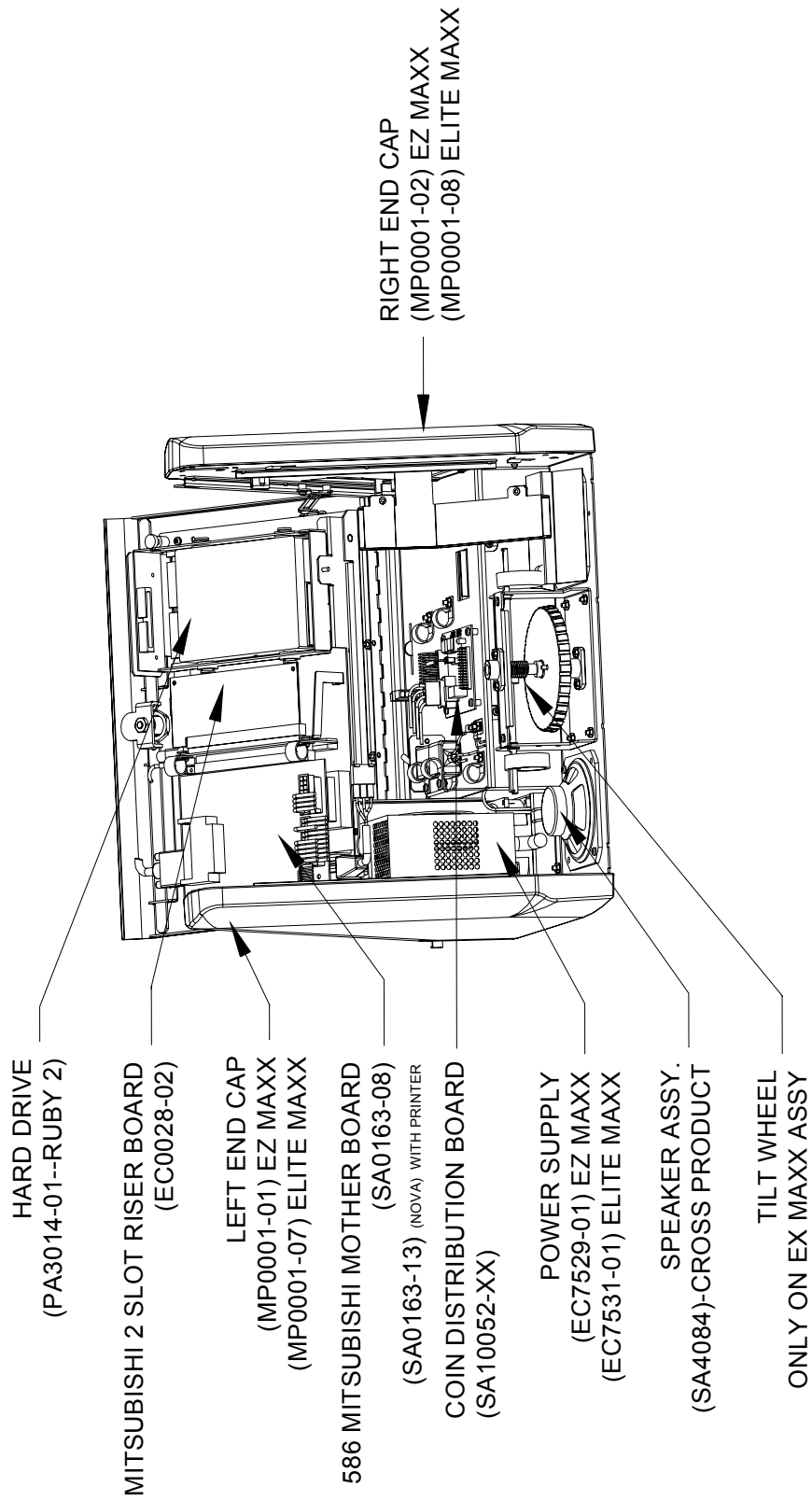


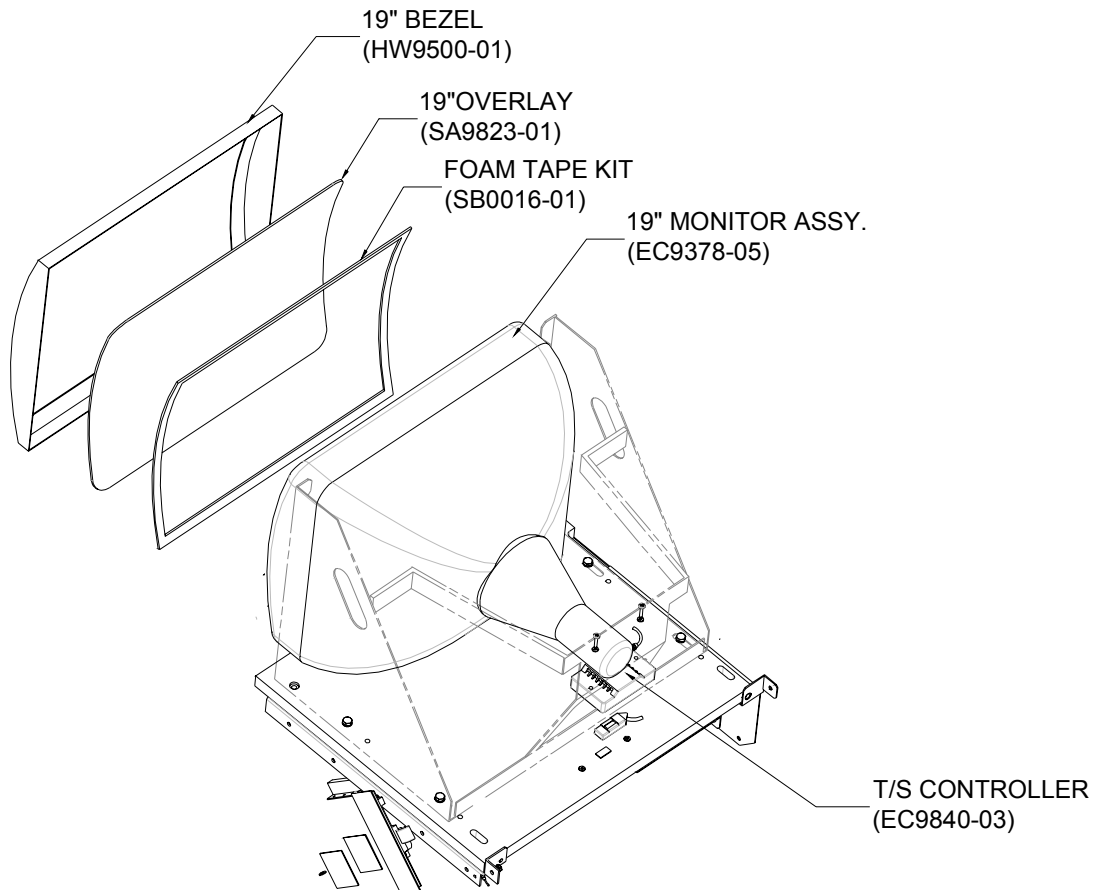
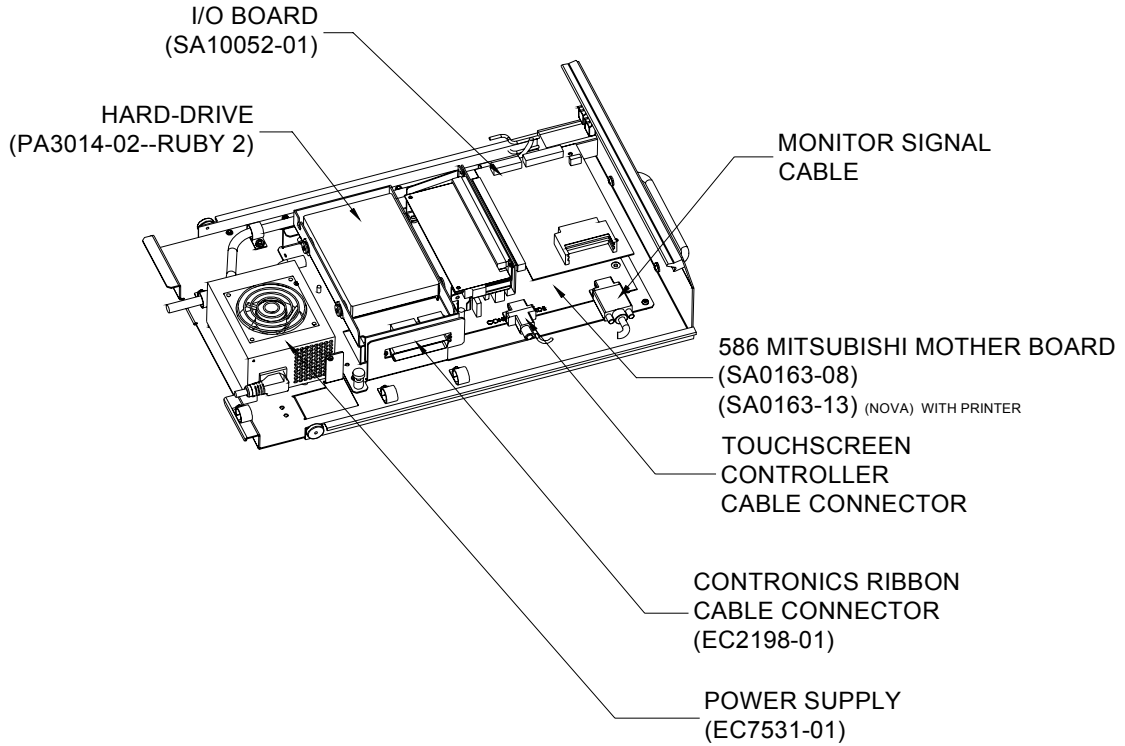


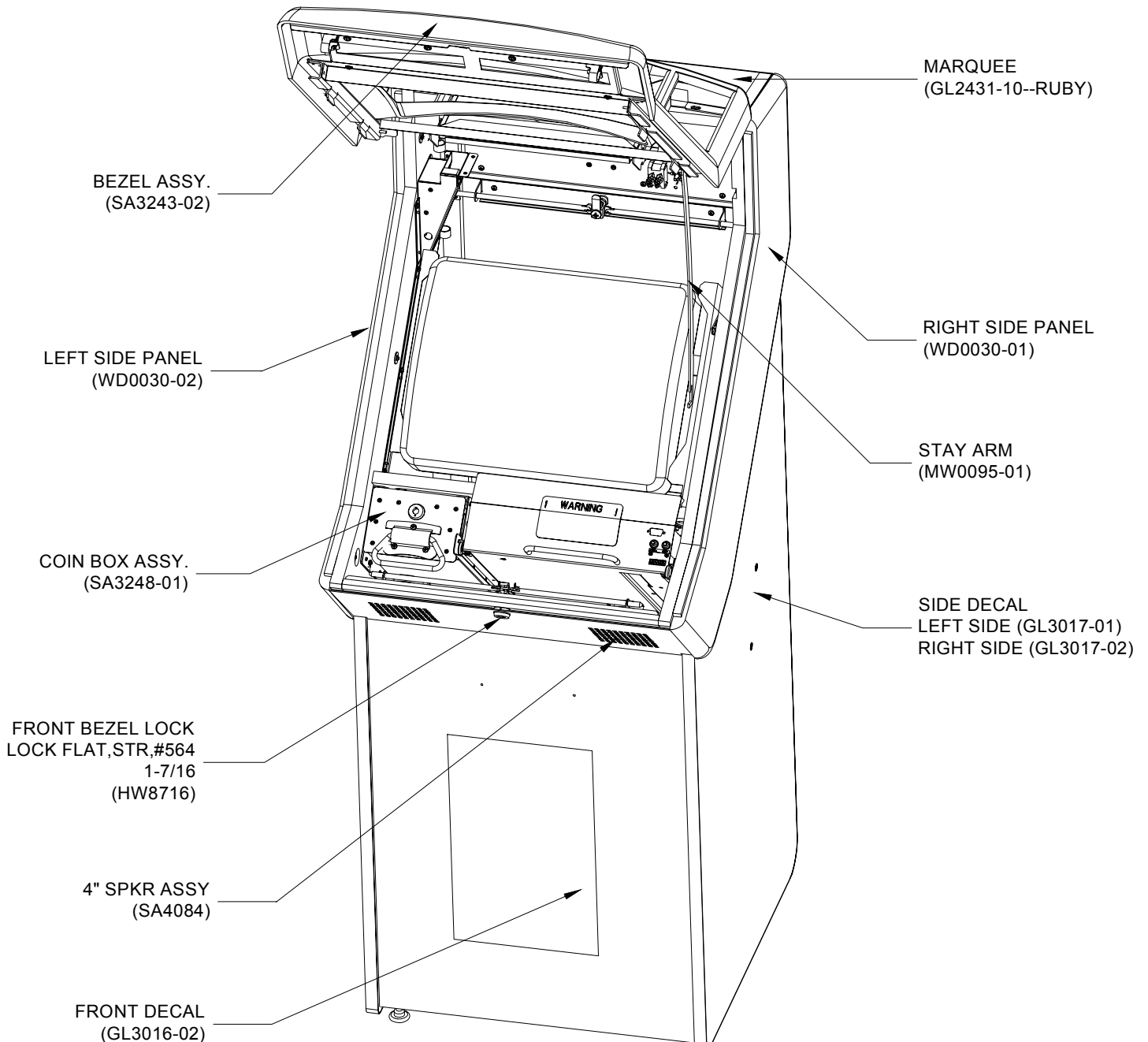


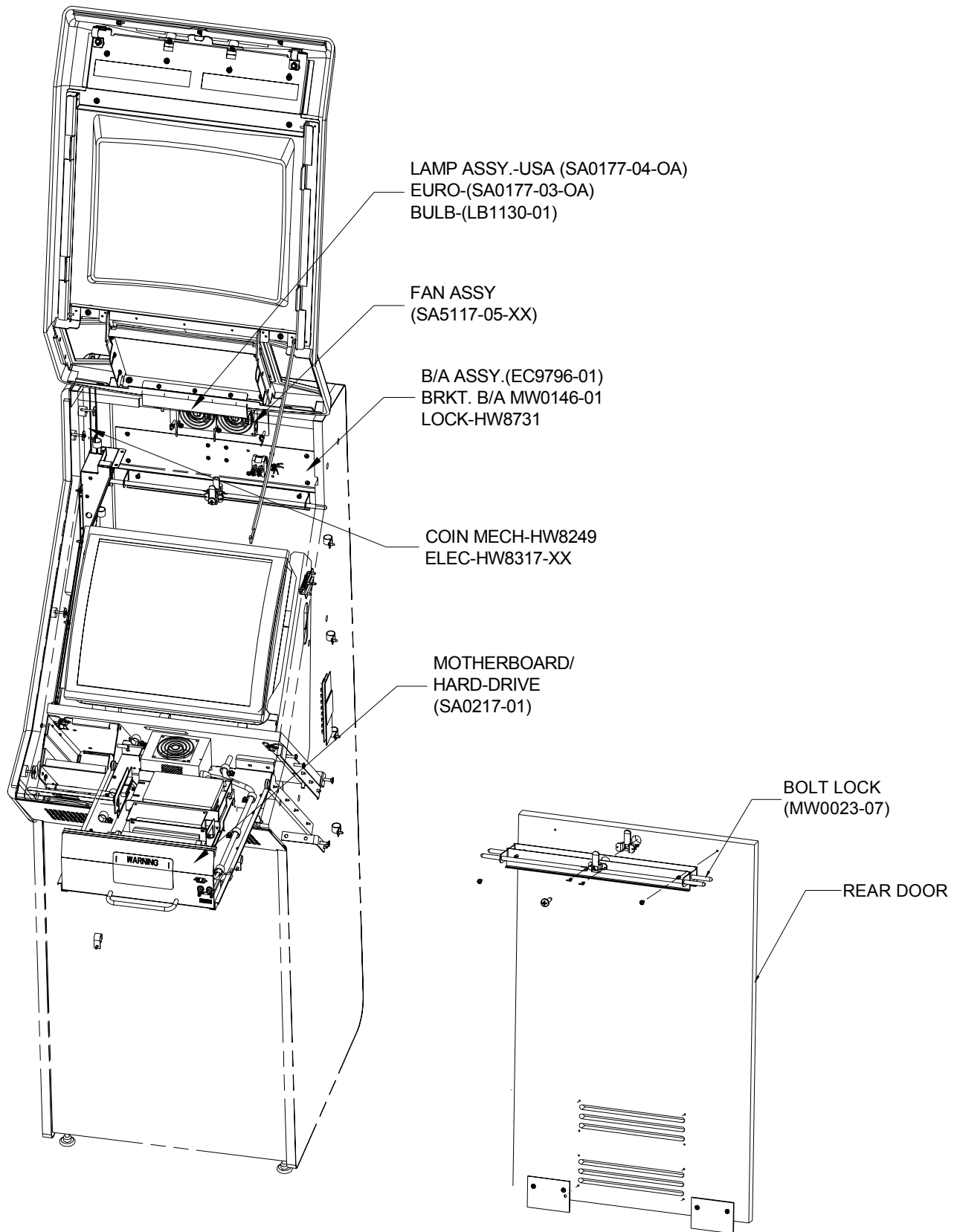


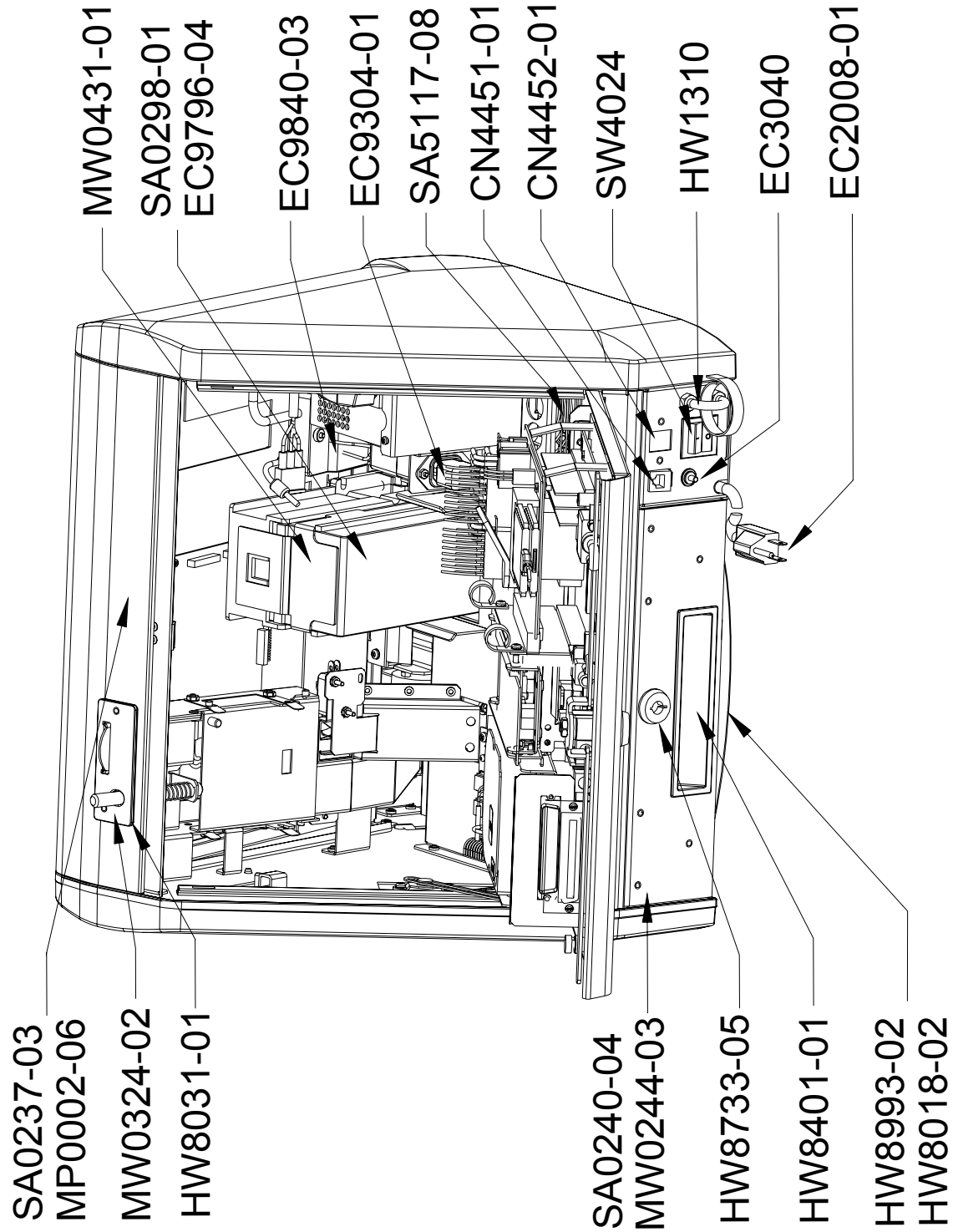




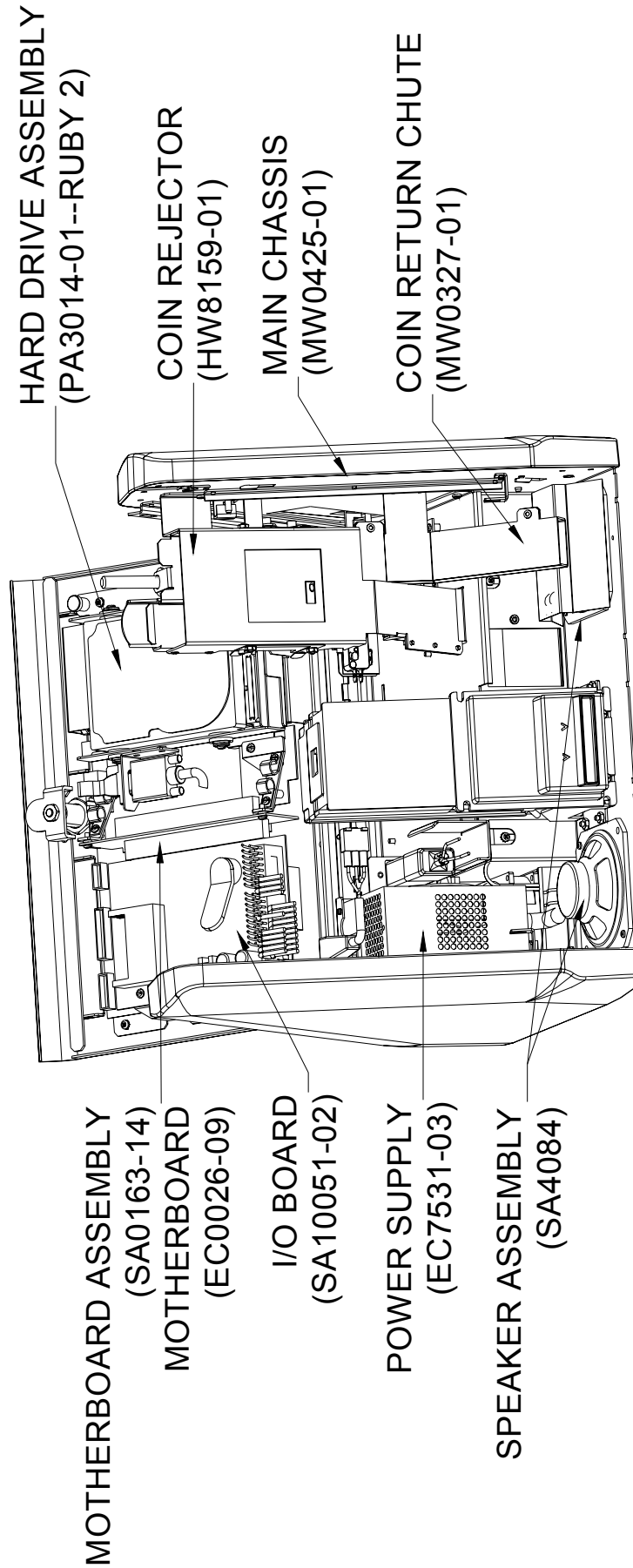




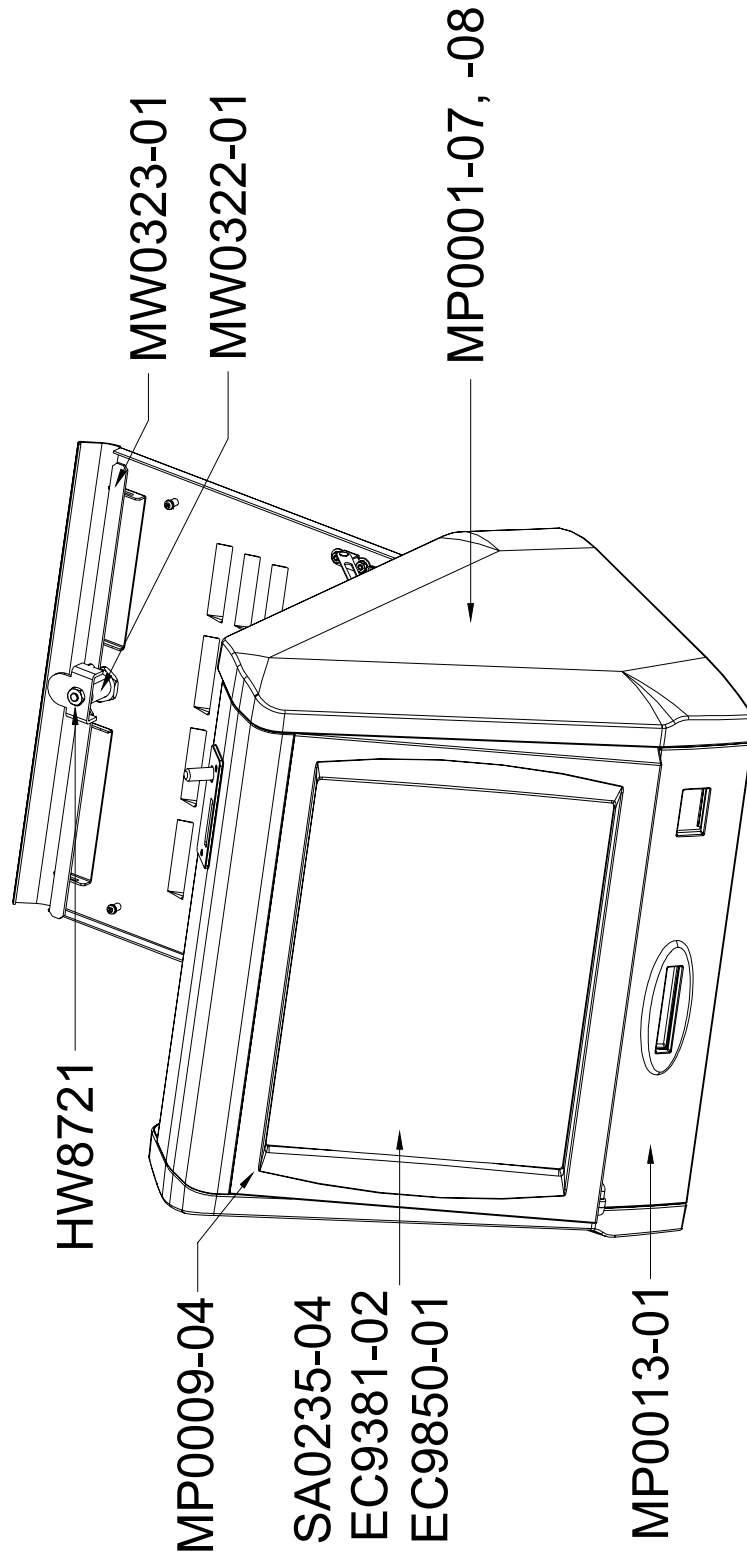




CPU SECTION (REAR VIEW)



FRONT VIEW (MONITOR REMOVED)



FRONT VIEW

Video Price List

Item	Description	SalesPrice
CN4451-01	RJ45 CPLR,8POSN,R/A,PNL MTG	\$8.12
CN4452-02	RJ-11,SPLTR,M/F,4 CNDCT	\$9.60
CN4452-03	RJ-11 CPLR,6POSN,R/A,PNL MTG (FOR MODEM)	\$7.16
CN7501	METRIMATE PIN, FEMALE 20-24 AWG	\$0.66
CN7507-02	METRIMATE RECEPT, 19 PIN	\$4.00
CN7508	METRIMATE PLUG, 12 PIN	\$3.72
CN7508-02	METRIMATE PLUG, 19 PIN	\$4.00
EC0003-05	CD-ROM PLAYER, IDE, 4X	\$105.00
EC0005-01	RAM SIMM, 4 MEG, 72 PIN	\$35.10
EC0007-01	TERMINAL BLOCK, 4 POSITION	\$5.75
EC0012-04	UNIV PCMCIA DATA/FAX MDM (MODEM--TOURNAMAXX)	\$206.25
EC0013-01	PCA,RISER BD.TELCO	\$26.35
EC0016-01	RAM,SIMM, 16 MEG, 72 PIN FP	\$193.05
EC0016-02	RAM,SIMM, 16 MEG, 72 PIN EDO	\$193.05
EC0026-01	mitsubishi MOTHERBOARD W/SIMMS AND CPU	\$1,100.00
EC0026-03	586 W/AUD MITSUBISHI MOTHERBOARD	\$1,100.00
EC0027-01	DIMM,SDRAM,32MB	\$131.65
EC0028-01	MITSUBISHI RISER	\$29.50
EC0028-02	MITSUBISHI TWO-SLOT RISER BOARD	\$26.80
EC0074-03	50' RJ-11 PHONE CABLE	\$4.40
EC2001	CORD,PWR,USA	\$7.95
EC2002	CONT EUR PWR CD, DTCH IEC CONN	\$7.80
EC2004	UK PWR CD W/DTCH IEC CONN	\$19.90
EC2008-01	POWER CORD	\$6.80
EC2008-02	POWER CORD, 240 VAC	\$13.55
EC2008-03	POWER CORD, 230 VAC, UK	\$18.05
EC2008-04	POWER CORD, 230 VAC, SWZ	\$15.25
EC2008-05	POWER CORD, 230VAC, ASL	\$17.30
EC2008-06	POWER CORD, 2320 VAC, ITA	\$17.10
EC2179-01	CENTRONIC IDE-PWR RBN CBL	\$17.80
EC2187-01	RIBBON CABLE, 9 COND, 31"L	\$10.90
EC2187-01-0A	31", 9 COND RIBN CABLE	\$10.90
EC2187-02-0A	RIBBON CABLE, 9 COND, 31" LONG	\$9.40
EC2187-03	RIBBON CABLE, SHIELDED, 9 COND, 9 INCH	\$7.40
EC2187-07-0A	CABLE, RIBBON, 9COND, 10""L COMM CABL	\$7.40
EC2191-01	RIBBON CABLE, 2X20 PIN, IDE, 20"L	\$6.90
EC2191-05	RBN. CA. 2X20 PIN, IDE, 24"L	\$10.20
EC2191-06	CABLE, RIBBON, 2X20 PIN, IDE, 7""L	\$7.25
EC2191-08	CBL, RBN, 2X20 PIN, IDE, 9"L (TO THE MOTHERBOARD)	\$2.95
EC2191-09	CBL, RBN, 2X20 PIN, IDE, 12"L (TO THE CENTRONICS BRD)	\$9.20
EC2193-01	CBL, RBN, 2X5 PIN, 14"L, COMM DX	\$6.45
EC2198-01	CENTRONIC RCPT-IDE-PWR RBN CABLE	\$33.70
EC3039	CIRCUIT BREAKER 1 AMP PNL MTG	\$11.60
EC3040	CIRCUIT BREAKER 2AMP PANEL MTG	\$13.44
EC6056-01	FL. LAMP ASSY, 15" 230 VAC/50 HZ W/22" CABLE	\$57.10
EC7014	BALLAST, 230 VAC, 50HZ	\$18.50
EC7528-02	POWER SUPPLY, SW, PS/2-PC	\$109.20
EC7529-01	PWR SPLY, OPEN FR, 100W+12, + 5	\$200.00
EC7531-01	PWR SPLY, 145W +/- 12, +5, +3.3 (Mini Globe or ATX)	\$81.90
EC9154	COUNTER, 12V FROG EYE MOUNTING	\$12.30
EC9154-02	COUNTER, 12V, FROG EYE MOUNTING	\$10.35

Video Price List

Item	Description	SalesPrice
EC9304-01	FLTR, LINE, 250VAC@6AMP, IEC	\$11.32
EC9360-XX	VGA CRT, 13" (INDICATE TYPE)	\$341.25
EC9361-XX	VGA 13" MONITOR CHASSIS BD (INDICATE TYPE)	\$271.25
(NOT ALL CHASSIS AND CRT TYPES ARE AVAILABLE / PRICES MAY VARY.)		
EC9377	MONITOR, VGA, 13" (W/CHASSIS BOARD & FRAME)	\$542.50
EC9377-07	CRT, 13"VGA, R/A CHAS MTG	\$542.50
EC9378-0A	MONITOR, 19" VGA (OBSOLETE--SELL EC9378-05)	\$589.00
EC9378-05	MONITOR, 19" VGA	\$673.20
EC9381-01	DSPL, LCD, 15" XGA (NO DISCOUNT)	\$599.00
EC9401-01	FAN,CPU 486 MOUNT,12VDC	\$10.90
EC9402-03	FAN 3",12V, 42.5 CFM	\$9.95
EC9410	FAN, TUBAXIAL, 3", 110V	\$92.92
EC9790-01	\$1/2/5, 500 STKR, AE2631D5E, MARS	\$728.50
EC9796-01	B / A \$1 / 2 / 5 WITH 500 STACKER	\$728.50
EC9796-06	MARS B/A, AE2000, \$1/2/5, 7000 STKR	\$728.50
EC9824-02	ELO T/S ASSY 13"	\$448.50
EC9828	WIRE HARN EXTENSION, MARS	\$8.20
EC9840	TOUCHSCREEN CONTROLLER, SMT3	\$195.00
EC9840-02	ELO TOUCHSCREEN CONTROLLER	\$390.00
EC9840-03	TOUCHSCREEN CONTROLLER, SMT3, W/26"L CAB	\$195.00
EC9850-01	OVRLY, TS, 15", W/12" CAB, W/7"ESD	\$370.50
GL2402-02-0A	MAXX MARQUEE, UR, XL2	\$37.85
GL2411-03	PLEXI, CLEAR, 19" CABARET SIGN	\$5.05
GL2411-05	PLEXI, CLR, 12.315X8.32, UR, XL2	\$2.90
GL2411-06	PLEXI, CLR, 12.315X8.32X.177, XL2	\$5.65
GL2431-07	EMERALD 2 MARQUEE, XL5	\$28.10
GL2431-10	RUBY MARQUEE, XL5	\$28.10
GL3016-02	FT DCL, LWR, BLU & YEL, UR, XL2	\$5.75
GL3017-01	L SIDE DCL, BLU & YEL, UR, XL2	\$35.65
GL3017-02	R SIDE DCL, BLU & YEL, UR, XL2	\$35.65
GL3100-01	DECAL, SIDE PANEL, XL, CTOP	\$25.05
GL3100-03	MAXX DECAL, COUNTER TOP	\$6.30
GL3100-04	DECAL, SIDE PANEL,BLUE MAXX, CTOP	\$4.75
GL3100-05	MAXX DCL, XL3, CTOP	\$6.00
GL3100-06	DMDDED DCL,XL3,CTOP (SIDE DECAL FOR DIAMOND)	\$7.25
GL3100-09	DMD DCL,XL,CTOP (DIAMOND SIDE DECAL/CLASSIC)	\$6.45
GL3100-32	RUBY, RIGHT DECAL, CTOP, XL	\$8.50
GL3100-33	RUBY, LEFT DECAL, CTOP, XL	\$8.50
GL3100-34	RUBY DECAL, XL3	\$7.80
GL3101-01	DECAL, FRONT, XL, CTOP	\$2.55
GL3102-01	ELITE MAXX DECAL	\$5.85
HW0003-01	BUTTON, B / A & CNBX, XL CTOP	\$8.95
HW0004-01-0A	BEZEL, B/A + CNBX, CTOP	\$10.15
HW0020-01	PCB GUIDE, 2.5", SNPN SHLW CHAN	\$1.15
HW0020-02	PCB GUIDE, 3", SNPN SHLW CHAN	\$1.10
HW0028-01	DISCONTINUED - USE PART # WD0030-01	
HW0028-02	DISCONTINUED - USE PART # WD0030-02	
HW0031-01-0A	BEZEL TRIM, REAR, UR, XL2	\$4.50
HW0034-01	SPACER RING, LAZY SUSAN	\$12.30
HW0041-01	1"WX.06T MAG TAPE, HD,W/PSA (TAPE FOR SIGN HOLDER)	\$2.20
HW0088-01-0A	BEZEL, MARS, XL2	\$65.00

Video Price List

Item	Description	SalesPrice
HW0088-02-0A	BEZEL, SMILEY	\$79.10
HW0088-03	BZL,BLK,MARS,XL3	\$65.00
HW0089-01-0A	BUTTON, REJECT, MARS	\$2.30
HW0089-02	CLASSIC MAXX REJECTOR BUTTON	\$2.22
HW0091-01	AIR FILTER W/GUARD, 3.13 SQ, PLASTIC (ON BACK LID)	\$6.15
HW0092-01	BEZEL, MONITOR	\$119.60
HW0092-01-0A	BEZEL, MONITOR, CTOP, XL2	\$96.55
HW0092-02	BZL,BLK,MON, XL3 (MONITOR BEZEL)	\$96.55
HW0093-01-0A	COVER PLATE, SMILEY, B/A	\$5.05
HW1310	BOLT, "U", 1/4-20X1-1/4"	\$0.89
HW1501-01	COTTER PIN, M2 DIA X 14MM L	\$0.10
HW3301	U BOLT NUT 1/4-20 KEPNUT	\$0.10
HW6366	MOUNTING POST, KNURLED	\$0.75
HW8018-01	ANTI-SKID PAD, 11.5"DIA, RA65 RBR (REPL BY HW8018-02)	\$6.60
HW8018-02	AS PAD,11.5D,W/6.0 C/O (ANTI SKID PAD WITH HOLE)	\$6.60
HW8031-01	GSKT, COIN ENT, CTOP, XL4	\$0.92
HW8031-01	COIN ENTRY PLATE	\$0.90
HW8159-01	\$.25 M/CREJ, IMONEX 950	\$22.25
HW8159-04	\$1 CAN M/CREJ, IMONEX 950	\$30.30
HW8171-01	PCB GUIDE, 8", SNAP-ON, DEEP CHANNEL	\$1.14
HW8196-01	BACK CHAN ASSY, W / O LKOT COIL	\$26.50
HW8197-01	COIN ACCEPTOR S7	\$17.55
HW8249	FR/PLATE, SINGLE, M, .25, ROLL DOWN	\$72.15
HW8249-04	M/CREJ,SGL,FRPL,ROLL DOWN \$1.CAN	\$72.15
HW8279-0A	FRONT PLATE SINGLE W/COIN MECH, ADJUSTABLE	\$273.00
HW8284	FRONT PLATE W/COIN MECH 10, 20, 50, 1 £ UK	\$427.05
HW8285	FRONT PLATE SINGLE, ELEC. W/O COIN MECH	\$19.50
HW8286	ELEC. COIN MECH, 1, 2, & 5 DM (GERMAN)	\$429.00
HW8286-09	ELEC. COIN MECH CAN, .25/\$1/\$2 330 E/CREJ	\$380.25
HW8286-XX	ELEC. COIN MECH. (INDICATE COUNTRY)	\$380.25
HW8314-01	SPRING, EXT, SST, .24D X3.50L	\$1.00
HW8317-XX	PROGRAMMABLE TD330 E/CREJ (ELEC MECH)	\$380.25
PLEASE INDICATE COUNTRY WHEN PLACING ORDERS. PRICES MAY VARY.		
HW8319-XX	ELECTRONIC MECH (INTL U/R MAXX)	\$380.25
PLEASE INDICATE COUNTRY WHEN PLACING ORDERS. PRICES MAY VARY.		
HW8358-01	GASKET, NPRN, CLOSED CELL, .187DIA (ON BACK LID)	\$0.65
HW8401-01	FLUSH HANDLE, POCKET PULL	\$4.48
HW8711	ANCHOR PLATE FOR CAM LOCK	\$0.55
HW8713	LOCK, FLAT,STR, 564, 1-7/16 KYRM	\$4.70
HW8713-02	564 LOCK, KYRM, W/O CAM, 1 3/8"L (use HW8716)	\$8.25
HW8716	LOCK,FLAT,STR,#564, 1-7/16" (FRONT BEZEL LOCK)	\$6.25
HW8721	564 LOCK W/JAM NUT, 7/8" (FOR SERVICE/BACK DOOR)	\$4.05
HW8727	LOCK, FLAT, STR, DIFF, 1-1/8 (CD DR/COIN BX)	\$5.55
HW8731	LOCK, FLAT, 90', DIFF, 7/8"" (COIN BOX LOCK)	\$5.75
HW8733-03	LOCK, HIGH SECURITY, DIFF, 5/8 (SIDE LOCK)	\$9.85
HW8733-05	LK, HSCRTY, KD, 7/8, CAPKY(CASH BX DOOR & SIDE CAR LOCK)	\$8.75
HW8734-01	LOCK, W/O CAM, 564, 5/8"L (REAR DOOR)	\$4.25
HW8741	LOCK, CIRC, BNT, DIFF, 1/2"	\$12.20
HW8756	CAM, BENT, 1/8" OFFSET	\$2.25
HW8911-01	PIN, SPRING, STL, .094 0D X .50L	\$0.10
HW8951-01	BEZEL, MONITOR, URTS, 19" CABARET	\$70.40

Video Price List

Item	Description	SalesPrice
HW8951-02-0B	BEZEL, MONITOR, 19" URTS	\$0.00
HW8953	BEZEL, 13' T/S	\$10.75
HW8960	LEG LEVELER, 2", 3/8-16THD	\$0.95
HW8979	SLIDE LATCH	\$1.25
HW8989	FAN GUARD, 2.8"	\$1.62
HW8993-02	LAZY SUSAN, 12" DIA, 15 DEG. STOPS	\$11.20
HW9001	TUBING, PLASTIC	\$0.44
HW9461-03	SIGN HOLDER, PETG, 4 X 12, CTOP	\$10.80
HW9500-01-0A	BEZEL, MONITOR, UR, XL2	\$356.20
KUV-107-001	COIN/BILL ACCEPTOR KIT, XL CTOP	\$495.00
LB1030-01	BULB, 9", 6 WATT, CW	\$5.85
LB2100	LAMP, FL, 15W, F15T8CW	\$4.40
MP0001-01	L SIDE CVR, GRN, CTOP, XL	\$41.45
MP0001-02	R SIDE CVR, GRN, CTOP, XL4	\$41.45
MP0001-07	L SIDE CVR,BLU,XL4	\$41.35
MP0001-08	R SIDE CVR,BLU,XL4	\$41.35
MP0002-03	TOP CVR, 15", SIL, COIN ENT, XL4	\$23.65
MP0002-06	TOP CVR, 15", BLU, COIN ENT, XL4	\$21.80
MP0003-02	TOP CVR, 4.50", SIL, CTOP, XL4	\$12.05
MP0005-03	FR CVR, GRY, COIN RTN, XL4	\$12.15
MP0005-06	FR CVR,BLU,CN RTN,XL4	\$24.45
MP0006-02	SPCR, SIDECAR, SIL, CTOP, XL4	\$3.65
MP0009-02	BEZEL, 15" LCD, SIL, CTOP, XL4	\$31.25
MP0009-04	BEZEL, 15" LCD, GRY, XL4	\$31.25
MP0011-01	BRG SEAT,DSPL PVT,CTOP,XL4	\$0.50
MW0009-01	CHASSIS,CTOP,XL	\$129.01
MW0009-01-0C	CHASSIS, CTOP, XL	\$136.50
MW0009-02	CHASSIS, CTOP, MAXX	\$31.25
MW0010-01-0G	FRAME, DISPLAY, CTOP, XL	\$62.70
MW0011-01	POWER SUPPLY BRACKET	\$32.00
MW0011-01-0B	BARCKET, PWR SUPPLY, CTOP, XL	\$32.00
MW0012-01-0A	PRINTER INTERFACE BRACKET	\$17.80
MW0012-01-0C	BRACKET, CONN/COUNTER, CTOP XL	\$20.05
MW0013-01-0C	TOP, CTOP, XL	\$45.30
MW0014-01-0B	PLATE, (RIGHT) LATCH, CTOP, XL	\$10.50
MW0014-02-0B	PLATE, (LEFT) LATCH, CTOP, XL	\$10.50
MW0015-01	BRACKET, LOCK, CTOP XL	\$3.95
MW0016-01-0C	DOOR, CTOP, XL	\$54.50
MW0017-01	COIN BOX, CTOP, XL	\$89.70
MW0020-01-0B	COIN CHUTE ENTRY, LEFT XL CTOP	\$20.30
MW0021-01	COIN CHUTE ENTRY, RIGHT XL CTOP	\$9.75
MW0023-01	BOLT, LOCK, CTOP, XL	\$6.00
MW0023-04	BOLT, LOCK, 7.99"L,UR, XL2	\$4.10
MW0023-06	BOLT, LOCK, CTOP, XL3 (CAM FOR HW8734-01)	\$4.60
MW0023-07	REAR DOOR BOLT LOCK, 8.69L, UR	\$4.90
MW0024-01	CAM, LOCK (REAR DOOR)	\$1.20
MW0028-01	PLATE, POWER ENTRY	\$5.15
MW0037-01-0A	CAM, LOCK, .75 X 2.0	\$2.20
MW0038-01	CORD CLAMP, XL	\$4.25
MW0039-01-0C	DOOR, CD-ROM ACCESS, XL, CTOP	\$12.30
MW0043-01	COIN BOX STOP BRACKET	\$1.75

Video Price List

Item	Description	SalesPrice
MW0044-01	DOOR LOCK LATE, UR	\$4.45
MW0051-01	LINKAGR, COIN RETURN XL CTOP	\$3.80
MW0052-01-0A	DOOR, B / A & COIN W/BOX XL CTOP	\$10.10
MW0057-01	COVER, FAN PROTECTOR	\$23.25
MW0061-02	COVER, FAN PROTECTOR, UR, XL2	\$26.05
MW0063-01	PLATE, MOUNTING, PC POWER, XL	\$43.70
MW0063-01-0K	PLATE, MTG, PC/PWR, XL	\$45.45
MW0095-01	STAY ARM, UR, XL2	\$14.80
MW0097-01-0A	TAMPER PROOF BEZEL BRKT, UR, XL2	\$10.25
MW0098-01-0A	STAY ARM HAT BRKT, UR, XL2	\$5.55
MW0100-01	COIN BOX CHUTE	\$11.70
MW0101-01	SPACER, COIN BOX BRACKET, UPPER	\$2.90
MW0118-01-0B	BRKT, SMILEY, UR, XL2	\$43.70
MW0119-03	BRKT, M/CREJ, ROLL DN, UR, XL2	\$39.15
MW0124-01-0B	HINGE, UR, XL2	\$18.15
MW0129-01	CVR PLT, B/A OPNG, UR, XL2	\$10.30
MW0138-01-0B	BRACE, 2 POINT LOCK, UR, XL2	\$16.60
MW0146-01	BRKT, MARS B/A, UR, XL2	\$76.05
MW0157-01	SWITCH, PANEL,XL3 (FOR COUPLERS)	\$23.25
MW0158-01	LOCK BAR, CTOP, XL3	\$9.30
MW0159-02	CAM W/DBL D C/O, LOCK, CTOP, XL3	\$1.40
MW0161-01	B/A SECURITY BAR,CTOP,XL3	\$3.60
MW0163-01	BRACKET, RISER/586 SPRT, CTOP	\$2.95
MW0168-01	LID, COIN BOX	\$5.45
MW0171-01	CAM, LID, COIN BOX, 5/8, CTOP (CAM FOR COIN BOX LOCK)	\$3.80
MW0171-03	CAM, .83, NCH, CNBX LID CTOP XL2	\$3.65
MW0173-01	ELECTRONICS BOX, CTO	\$201.80
MW0174-01	LID, ELECTRONICS BOX, LOWER, CTOP	\$174.50
MW0175-XX	LID, CTOP (-01: GREEN; -02: BURGUNDY)	\$253.10
MW0177-01	BRACKET, SPRT, TELCO PENTIUM	\$8.00
MW0179-01	CAM, LOCK, COIN BOX, CTOP (CAM FOR SIDE LOCK)	\$2.35
MW0181-01	CHASSIS, CTOP	\$163.00
MW0190-01	LID, ELECTRONICS BOX, CTO	\$51.00
MW0191-01	BRACKET, POWER SUPPLY, CTOP	\$3.65
MW0192-01	BRACKET, CABLE CLAMP, CTO	\$3.10
MW0193-01	BRACKET, COIN BOX, UPPER	\$7.80
MW0194-01-0A	BRACKET, COIN BOX STOP	\$3.90
MW0200-01	COIN CHUTE, ENTRY, CTOP	\$26.15
MW0201-01	BRACKET, LEFT, HARD DRIVE SHOCK MTG, CTOP	\$11.45
MW0201-02	BRACKET, RIGHT, HARD DRIVE SHOCK MTG, CTOP	\$11.45
MW0203-01	BRACKET, RISER CLAMP, TELCO PENTIUM	\$8.95
MW0206-01	MAIN CHASIS, CTOP, XL3	\$125.60
MW0209-01	BONNET,GRN,CTOP,XL3 (METAL TOP NO DECAL)	\$202.40
MW0209-02	BONNET,BURG,CTOP,XL3 (METAL TOP NO DECAL)	\$219.40
MW0209-03	BONNET,BLK,CTOP,XL3 (METAL TOP NO DECAL)	\$202.40
MW0210-01	BACK, ACCS, PL, CTOP, XL3	\$71.05
MW0210-02	BACK, ACCS, PL, CTOP, XL3 (BACK DOOR)	\$69.90
MW0211-01	MTHBD, SHELF, CTOP, XL3	\$31.70
MW0220-01	3PT BOP CAM, CTOP, XL3	\$5.85
MW0221-01	ANGLE,SCTY REINF, UR, XL5	\$4.90
MW0226-01	BRKT, L, I/O/RISER BD, XL	\$24.90

Video Price List

Item	Description	SalesPrice
MW0228-01	BRKT, R, I/O/RISER BD, XL	\$7.00
MW0237-01	CHAS, MAIN, CTOP, XL4	\$156.40
MW0238-02	DOOR, REAR, GRY, CTOP, XL4	\$117.00
MW0241-01	BRKT, TOP, MAIN, CTOP, XL4	\$25.75
MW0242-01	BRKT, SIDE PNL, L, CTOP, XL4	\$17.15
MW0242-02	BRKT, SIDE PNL, R, CTOP, XL4	\$17.15
MW0243-01	DRAWER, CNBX, CTOP, XL4	\$39.15
MW0244-02	DRAWER, FACE, GRY, CTOP, XL4	\$28.15
MW0244-03	DRAWER, FACE, BLU, CTOP, XL4	\$26.50
MW0245-01	DRAWER CVR, CTOP, XL4	\$26.30
MW0246-01	LATCH CLIP, UPR, CTOP, XL4	\$5.15
MW0246-02	LATCH CLIP, LWR, CTOP, XL4	\$5.15
MW0248-01	BRKT, LWR BEZEL, CTOP, XL4	\$27.70
MW0253-01	LOCK BAR, CNBX DOOR, CTOP, XL4	\$5.85
MW0254-01	CAM LOCK, CNBX DOOR, CTOP, XL4	\$2.60
MW0260-01	LCH, S/PNL, UPR-L, CTOP, XL4	\$5.95
MW0260-02	LCH, S/PNL, LWR-L, CTOP, XL4	\$6.45
MW0260-03	LCH, S, PNL, UPR-R, CTOP, XL4	\$5.95
MW0260-04	LCH, S, PNL, LWR-R, CTOP, XL4	\$6.45
MW0268-01	COIN CHUTE, UR, XL5	\$77.40
MW0269-01	LOWER COIN CHUTE, UR, XL5	\$77.75
MW0281-05	BRKT, PWR ENT, BLU, ATX, XL4	\$24.75
MW0283-01	FAN GUARD, CTOP, XL3	\$5.85
MW0292-01	CNBXSCTY CLIP, CTOP, XL3	\$2.30
MW0296-01	3PT LOCK BAR HLD, UR, XL5	\$13.45
MW0297-01	HANDLE/SWITCH PLT, UR, XL5	\$25.30
MW0298-01	BRACE/MARQUEE BRKT, UR, XL5	\$107.25
MW0301-01	COINBOX, UR, XL5	\$114.45
MW0321-01	PLATE, SIDE LATCH, CTOP, XL4	\$1.15
MW0322-01	CAM, 3 PT, REAR DR, CTOP, XL4	\$4.90
MW0323-01	LOCK BAR, REAR DR, CTOP, XL4	\$2.90
MW0324-02	PLATE, COIN ENT, TLT, CTOP, XL4	\$15.00
MW0327-01	CHUTE, COIN RTN, CTOP, XL4	\$18.70
MW0334-01	CHAS, S/CAR, 4.5", CTOP, XL4	\$82.70
MW0335-03	FR PL, S/CAR, LTGRY, MARS B/A, XL4	\$84.80
MW0336-01	DR, REAR, S/CAR, GRY, CTOP, XL4	\$58.30
MW0337-01	CAM, S/CAR, CTOP, XL4	\$6.25
MW0338-01	LOCK BAR, S/CAR, CTOP, XL4	\$10.35
MW0339-01	CUP, COIN RTN, TLT, CTOP, XL4	\$23.10
MW0343-01	FLAP, COIN RTN CUP, CTOP, XL4	\$1.90
MW0346-01	CHASSIS, MAIN, ATX, CTOP, XL4	\$159.50
MW0351-02	DOOR, REAR, BLU, ATX, XL4	\$93.75
MW0352-01	BRKT, ATX, ENET, CTOP, XL	\$35.70
MW0388-01	BRKT, UNIV, ETR I/O RISER	\$9.75
MW1670-01	SPEAKER MTG BKT, 19" CABARET	\$47.95
MW1671-01	BRHT, GLASS, UPPER, 19" CABARET	\$14.55
MW1672-01	CONTROL PANNEL, 19" CABARET	\$26.15
MW1674-01-0B	MONITOR SUPPORT, LEFT, 19" CABARET	\$12.55
MW1674-02-0B	MONITOR SUPPORT, RIGHT, 19" CABARET	\$12.55
MW2013-01	DUCK BILL CAM, UR, XL5	\$10.15
MW5001-01	STAY LID, URTS, 19"	\$11.70

Video Price List

Item	Description	SalesPrice
MW5003-01	BRACKET, CRT ADJUST, LEFT	\$16.20
MW5003-02	BRACKET, CRT ADJUST, RIGHT	\$16.20
MW5006-01	COVER, PERFORATED, SPEAKER, 4"	\$10.15
MW5008-01	BRACKET, CRT LEFT, 19" URTS	\$2.70
MW5008-02	BRACKET, CRT RIGHT, 19" URTS	\$2.70
MW5014-01-0B	BEZEL/HINGE ASSY, 19" URTS	\$121.70
MW5153-01	DOOR, COIN BOX, CTOP	\$4.50
MW5164-01	HINGE, REAR DOOR CTTS	\$6.65
PA0050-01	RUBY2, CD#1	\$35.00
PA0051-02	RUBY2, CD#2	\$35.00
PA3014-01	MAXX RUBY 2 HARD DRIVE ASSEMBLY	\$257.40
PM0240-02	OWNER'S MANUAL, XL3	\$3.00
PM8928-14	SIGN, MEGATOUGH XL, CTOP XL6000	\$2.85
PM8928-15	SIGN, BLUE MAXX	\$1.10
PM8928-47	RUBY SIGN	\$1.20
PM8928-53	RUBY 2 COUNTERTOP SIGN	\$3.00
SA0013-02	WIRE HARN, MARS B/A, MODIFIED XL	\$25.30
SA0014-01	HARN, E/M/CREJ, 19" CABARET	\$0.50
SA0014-03	WIRE HARN, E OR M/CREJ, 19" CAB, XL	\$1.15
SA0047-02	COIN BOX HARNESS ASSY	\$10.10
SA0047-02-0A	COIN BOX HARNESS ASSY	\$0.25
SA0058-01	HARNESS, POWER SWITCH, URTB/URTS/CAB, XL	\$72.70
SA0063-01	HARNESS, POWER, DUAL FANS, URTS	\$3.30
SA0067-01	HARNESS, VOLUME POT, URTS/CAB, 260	\$13.30
SA0077-01	HARNESS, MAIN, XL	\$2.85
SA0096-03	PWR ENTRY W/O COMM, UR, XL2	\$18.70
SA0101-01	ASSY, MOTHERBOARD, DE-AMER	\$798.70
SA0101-02	ASSY, MOTHERBOARD XL, TELCO	\$806.50
SA0101-03	ASSY, MOTHERBOARD, TELCO	\$812.65
SA0102-01	HARNESS, COIN BOX, MGATCH XL, CTOP	\$103.25
SA0102-02	PRINTER INTEREFACE	\$108.30
SA0102-03	HARNESS, COIN BOX, MGATCH XL, CTOP	\$31.10
SA0103-01	TOUCHSCREEN/VGA DISPLAY ASSEMBLY, 13	\$1,111.50
SA0105-01	COVER ASSY, CTOP, XL	\$256.45
SA0105-02	COVER ASSY, CTOP, BLUE MAXX	\$270.15
SA0105-03	SIL&BLK CVR, CLASSIC MAXX	\$236.15
SA0106-01	POWR ENTRY ASSY, CTOP XL, 120V (OLD)	\$205.75
SA0106-09	PWR ENT,ATX,BLU MAXX (NEW)	\$126.05
SA0106-11	DOM,W/COMM CPLRS,ATX,PWR ENT	\$123.75
SA0107-01	COIN BOX ASSY. COMPLETE W/MECH \$0.25 USA	\$206.30
SA0107-XX	COIN BOX ASSY. COMPLETE W/ELEC MECH	\$206.30
SA0108-01	HARNESS, MAIN, CTOP, XL	\$1.45
SA0108-03	HARN, MAIN, CTOP, BLUE MAXX	\$7.50
SA0111-01-0A	HARNESS, DISPLAY, AC, CTOP	\$0.75
SA0112-01	ASSY, MOTHERBOARD & I/O, XL (DE-AMER)	\$1,300.00
SA0112-02	ASSY, MOTHER BOARD & I/O, XL (DE-AMER)	\$1,300.00
SA0112-03	ASSY, MOTHER BOARD & I/O, XL (TELCO)	\$1,300.00
SA0117-01	CABLE, POWER EXTENSION, FAN	\$0.20
SA0118-01	CABLE, POWER EXTENSION, CD ROM	\$0.25
SA0118-02	CABLE, POWER EXTENSION,MAXX	\$1.05
SA0118-03	CBL, PWR EXT, PCA/HDD, XL3	\$0.25

Video Price List

Item	Description	SalesPrice
SA0119-01	DOOR ASSY, CD-ROM ACCESS, XL, CTOP	\$20.10
SA0139-01	ELO TS/VGA DSPLY ASSY 13"	\$1,131.00
SA0157-02	R/A IEC W/LFL, CTOP	\$5.70
SA0163-04	586 BOARD AND I/O ASSEMBLY (TELCO) (OBS)	\$1,300.00
SA0163-05	MITSUBISHI 586 BD & I/O, XL2	\$1,300.00
SA0163-07	MITSUBISHI 586 & I/O, BLUE MAXX	\$1,300.00
SA0163-08	M586 W/PCMCIA CTOP	\$1,300.00
SA0163-13	M586,PCMCIA, W/O PTR	\$1,300.00
SA0163-14	UNCRN,PCMCIA,W/O PTR	\$1,300.00
SA0164-01	HARNESS, MAIN, CTOP, XL2	\$21.05
SA0165-01	ASSEMBLY, SWITCH/COUNTER, CTOP	\$10.35
SA0168-XX	ASSEMBLY, LID, CTOP	\$270.90
SA0169-01	.25/\$1/\$2/\$5 CNBX, XL2 (FULL MAXX)	\$1,381.90
SA0169-02	.25 & B/A-RDY CNBX, XL2 (FULL MAXX)	\$443.65
SA0172-01	CNBX HARN, MARS, XL2	\$24.65
SA0173-01	TWIN SPEAKER ASSEMBLY, CTOP	\$26.60
SA0175-01	HARNESS, DC FAN, CTOP	\$0.10
SA0176-01	HARNESS, COIN BOX, SMILEY, CTOP	\$0.85
SA0177-03-0A	F-LMP FXTR, 220V/50HZ, 6 WATT	\$48.80
SA0177-04-0A	F-LMP FXTR, 117V/60HZ,6WATTS	\$43.65
SA0178-01	HARN, MAIN,UR,XL2	\$6.40
SA0181-02	HARN, COIN MECH, UR, XL5	\$1.60
SA0182-01	TOUCHSCREEN CTRL BD ASSY, SMT3	\$195.00
SA0184-01	HARN, MARS B/A, UR, XL2	\$0.30
SA0185-02	HARN, SMLY B/A, UR, XL2	\$0.60
SA0201-01	CENTRONICS MTG BRKT ASSY,XL	\$42.10
SA0209-01	HARN MAIN, CTOP, XL3	\$29.45
SA0209-02	HARN MAIN, CTOP, XL3	\$11.25
SA0210-01	HARN/SPEAKER ASSY, CTOP, XL3	\$25.95
SA0211-01	PWR ENT W/COMM CPLRS, XL3, CTOP	\$25.55
SA0212-01	MINI PWR SPLY ASSY, CTOP, XL3	\$258.75
SA0213-01	BEZEL ASSY, CTOP, XL3	\$145.55
SA0213-02	BZL ASSY, BLK	\$122.45
SA0214-01	CHAS ASSY, CTOP, XL3	\$167.40
SA0215-01	DOOR ASSY, CTOP, XL3	\$110.60
SA0215-02	DOOR ASSY, CTOP, XL3	\$116.65
SA0216-01	BONNET ASSY, BLK, CTOP, XL3	\$214.40
SA0216-02	BONNET ASSY, GRN, CTOP, XL4	\$231.40
SA0217-01	PCB/HDD SHELF ASSY, XL3	\$3,500.00
SA0217-02	PCB/HDD SHELF ATX PWR, XL4 (UNICORN)	\$3,500.00
SA0217-04	PCB/HDD SHELF ASSY, XL3	\$3,500.00
SA0218-01	.25/1/2/5 B/A CNBX, CTOP, XL3 (SLIM MAXX)	\$1,301.70
SA0218-02	.25 & B/A-RDY CNBX, CTOP, XL3 (SLIM MAXX)	\$390.20
SA0218-19	.25/1/2/5 B/A,BLK, XL3 (SELECT MAXX)	\$1,285.60
SA0218-20	COIN BILL ACCEPTOR READY - SELECT	\$374.15
SA0219-01	MONITOR ASSY, CTOP, XL3	\$1,333.80
SA0225-04	HARN, AC, ATX, BLUE MAXX	\$0.45
SA0231-01	DUAL FAN ASSY, CTOP, XL3	\$20.25
SA0231-02	DUAL FAN ASSY, CTOP, XL3	\$27.45
SA0232-02	MINI PWR SPLYCHASSIS, CTOP, XL3	\$105.60
SA0235-01	DSPL W/BZL, 15", SIL, CTOP, XL4	\$3,350.35

Video Price List

Item	Description	SalesPrice
SA0235-03	DSPL W/BZL, 15", GRY, CTOP, XL4	\$3,326.05
SA0236-01	TILT MECH, CTOP, XL4	\$61.95
SA0237-01	TOP CVR, SIL, CTOP, XL4	\$64.45
SA0237-03	TOP CVR, BLU, CTOP, XL4	\$62.65
SA0238-01	BOTTOM FRONT CVR, SIL, CTOP, XL4	\$64.80
SA0238-02	BOTTOM FRONT CVR, BLU, CTOP, XL4	\$84.55
SA0240-02	CNDWR, GRY, CTOP, XL4	\$116.65
SA0240-03	CNDWR, BLU, CTOP, XL4	\$114.95
SA0241-01	SIDE CVR, L, CTOP, XL4	\$83.60
SA0241-02	SIDE CVR, R, CTOP, XL4	\$59.30
SA0241-03	SIDE CVR,BLU, L, CTOP, XL4	\$83.50
SA0241-04	SIDE CVR,BLU, R, CTOP, XL4	\$83.50
SA0242-02	PWR ENT, GRY, CTOP, XL4	\$18.70
SA0242-05	PWR ENT, BLU,MDM CPLRS, XL4	\$24.75
SA0250-02	PWR SELF, GRY, CTOP, XL4	\$223.25
SA0250-04	PWR SELF, BLU, CTOP, XL4	\$146.50
SA0255-02	E/CREJ BRKT ASSY, CTOP, XL4	\$79.60
SA0255-03	M/CREJ BRKT ASSY, CTOP, XL4	\$82.60
SA0257-01	HARN, MCREJ, CTOP, XL4	\$1.35
SA0257-03	HARN, MCREJ, CTOP,5", XL4	\$0.55
SA0258-01	S/CAR W/MARS B/A, SIL/GRY, XL4	\$1,185.60
SA0258-03	S/CAR W/MARS B/A, BLU, XL4	\$1,217.95
SA0279-01	FAN,CTOP,XL4,GLOBETEK	\$24.60
SA0282-01	SPARKLE PWR SPLY & Y HARN ASSY	\$86.80
SA10023-01-0G	PCA, I/O BOARD, XL VID, CTOP	\$494.70
SA10025-01-0A	PCA, CRT-502, DE-AMER, RISER BOARD	\$51.80
SA10028-01-0C	PCA, RS-485 COMM, SYSTEM	\$50.90
SA10042-01	PCA, OPTICAL COIN SENSOR	\$28.25
SA10043-02-0A	PCA, CENTRONICS CONN BOARD, SOCKET	\$31.20
SA10046-01	PCA, ESD FILTER BOARD	\$46.70
SA10047-01-0A	PCA,I/O BOARD, CTOP (obsolete)	\$716.10
SA10047-01-0B	PC IN/OUT BRD, XL2, VID CTOP	\$639.00
SA10051-01	I/O BOARD, XL2 VID, PRINTER	\$247.65
SA10051-02	I/O BOARD,XL2 VID,W/O PRINTER (NO KEY)	\$247.65
SA10052-01	PCA, COIN DISTRIBUTION BD, XL4	\$113.10
SA10052-02	PCA, CN DISTR,EXP, XL4	\$72.95
SA3014-03	EPROM, 8MEG XL, BOOT (U12- R4)	\$35.00
SA3202-05-0A	SHELF ASSY, TS/CRT (VGA)	\$1,611.00
SA3209-01	BRACKET ASSY, METER/TEST SWITCH	\$17.45
SA3210-03-0B	TS/CRT (VGA) ASSY, COLOR, 19"	\$1,579.45
SA3213-10-0A	COIN DR, \$0.25, \$ 1& 5, (VFM 2) , XL	\$955.15
SA3220-12-0A	COIN DOOR ASSY, \$.25/.25 XL	\$244.00
SA3230-01	BEZEL ASSY, 19" URTS	\$180.20
SA3243-02	BEZEL ASSY, UR, XL5	\$590.10
SA3244-01	MONITOR SHELF ASSY, UR, XL2	\$760.40
SA3246-01	DOM SHELF, M586 PC/PWR, UR, XL2	\$1,796.80
SA3246-02	DOM SHELF, M586 PC/PWR, UR, XL2	\$1,757.85
SA3248-01	CNBX ASSY, UR, XL5	\$128.05
SA3266-03-0B	CRT ASSY, 19" CABARET, XL, COMPLETE W/ SHELF	\$1,348.05
SA3283-02	ASSY URTS 19" CABARET 230 VAC	\$4,818.80
SA4037-02	12V CNTR W/CONN ASSY	\$10.35

Video Price List

Item	Description	SalesPrice
SA4084	4" SPEAKER ASSY W/2 PIN CONN	\$5.85
SA4084-02	SPEAKER ASSY, 4", W/6-PIN CONN	\$5.90
SA4084-03	SPEAKER ASSY, 4", W/6-PIN CONN	\$5.95
SA5117-04-0A	FNASY,3",12V,2 PIN CONN,W/O GD	\$9.95
SA5117-05-0A	FAN ASSY, 3", 12VDC, 2 PIN, W/GUARD	\$9.95
SA5117-08	FNASY,3",12V,M&F CONN, W/GUARD	\$10.75
SA5129-01	GASKET/BEZEL ASSY	\$13.25
SA5161-01	HARNESS, COIN BOX, MECHANICAL, CTOP, XL	\$13.90
SA7297-10	SIGN HOLDER, MEGA XL (XL6000 & SIGN ASSY)	\$13.65
SA7297-13	SIGN HLDR,MAG	\$10.80
SA9823-01	OVRLY,19"TS, W/TERMN	\$585.00
SA9824-01	OVRLY, 13" TS, W/TERMN	\$429.00
SA9824-02	OVRLY, 13" TS, W/260 ADPTR (FOR GAMES W/CRT260 BRDS)	\$429.80
SB0010-01-0A	COM, POWER CABLE	\$6.65
SB0016-01	13"/19" TAPE KIT	\$12.60
SB0359-01	RUBY CD UPGRADE	\$35.00
SB6058-01	FL LAMP ASSY, 120VAC/60HZ, 15W	\$54.40
SC3998-01	CPU,486 DX266	\$114.55
SW3005	PB SWITCH, MOMENTARY (SETUP/CALIBRATE)	\$1.26
SW4024	ROCKER SW, DPST, 250V, PANEL MTG	\$3.96
WD0001-01-0B	SIDE PANEL, RIGHT, CTOP XL	\$36.75
WD0001-02-0B	SIDE PANEL, LEFT, CTOP XL	\$36.75
WD0001-03-0B	SIDE PANEL, RIGHT, BLUE MAXX	\$28.25
WD0001-04-0B	SIDE PANEL, LEFT, CTOP BLUE MAXX	\$28.25
WD0001-05	SIDE PNL, R, STNLS&BLK	\$32.75
WD0001-06	SIDE PNL,L, STNLS&BLK	\$32.75
WD0013-01-0B	SHELF, CRT, UR, XL2	\$18.50
WD0024-01	CABINET, UR, XL5	\$848.50
WD0030-01	SIDE PNL,R,UR,XL5	\$51.65
WD0030-02	SIDE PNL,L,UR,XL5	\$51.65
WD2012-01-0B	CABINET, 19" URTS, BLK, REAR ACCESS	\$636.50
WD2013-01-0C	SHELF, CRT MTG, 19" URTS	\$29.65
WD2017-01-0B	CABINET, 19" URTS, BLK, FRONT ACCESS	\$645.85
WD2018-01	SHELF, 19" VIDEO, UNIVERSAL	\$8.75
WD5060-01	WOOD CABINET, URTS, 19" CABARET	\$636.50
WD5061-01-0B	SHELF, MONITOR, 19" CABARET	\$21.45