

PARTS BOOK

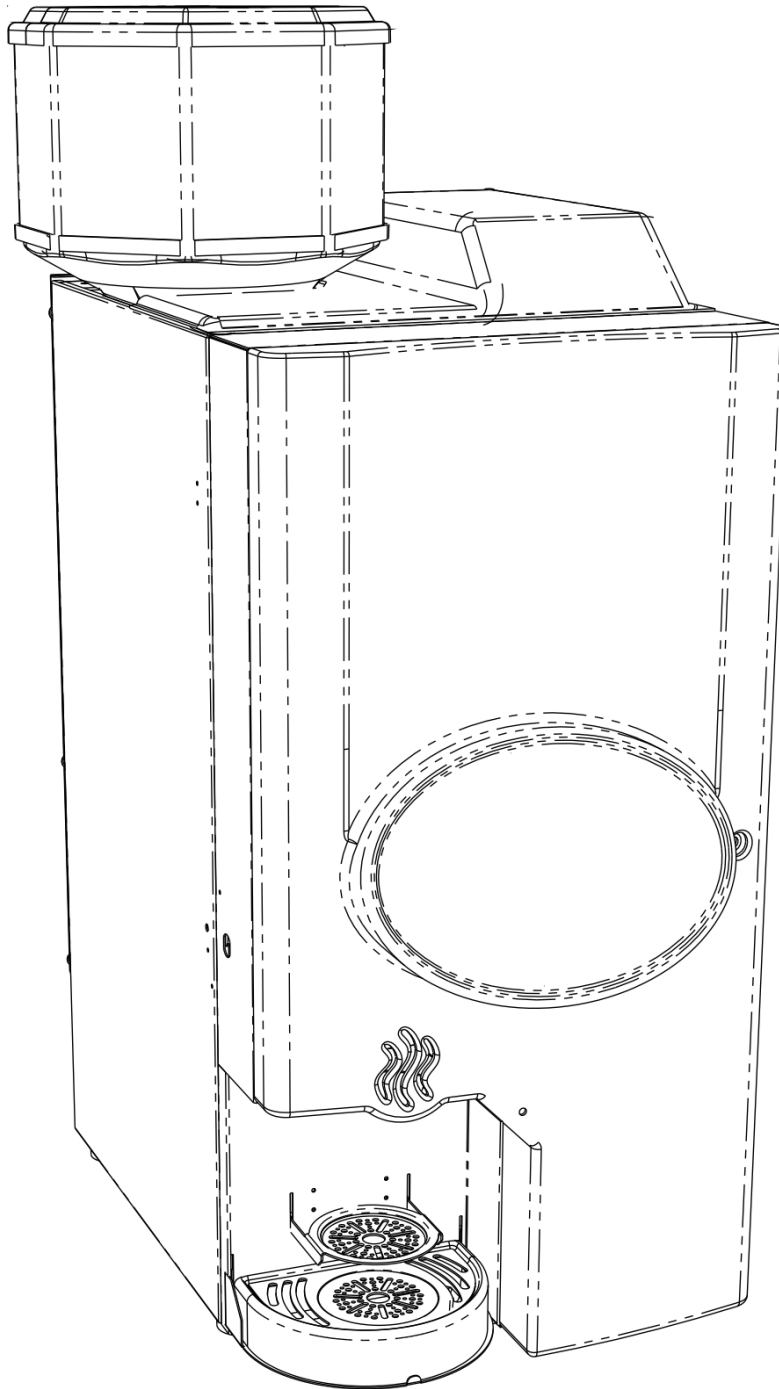


PARTS BOOK AVALON *Galleria*

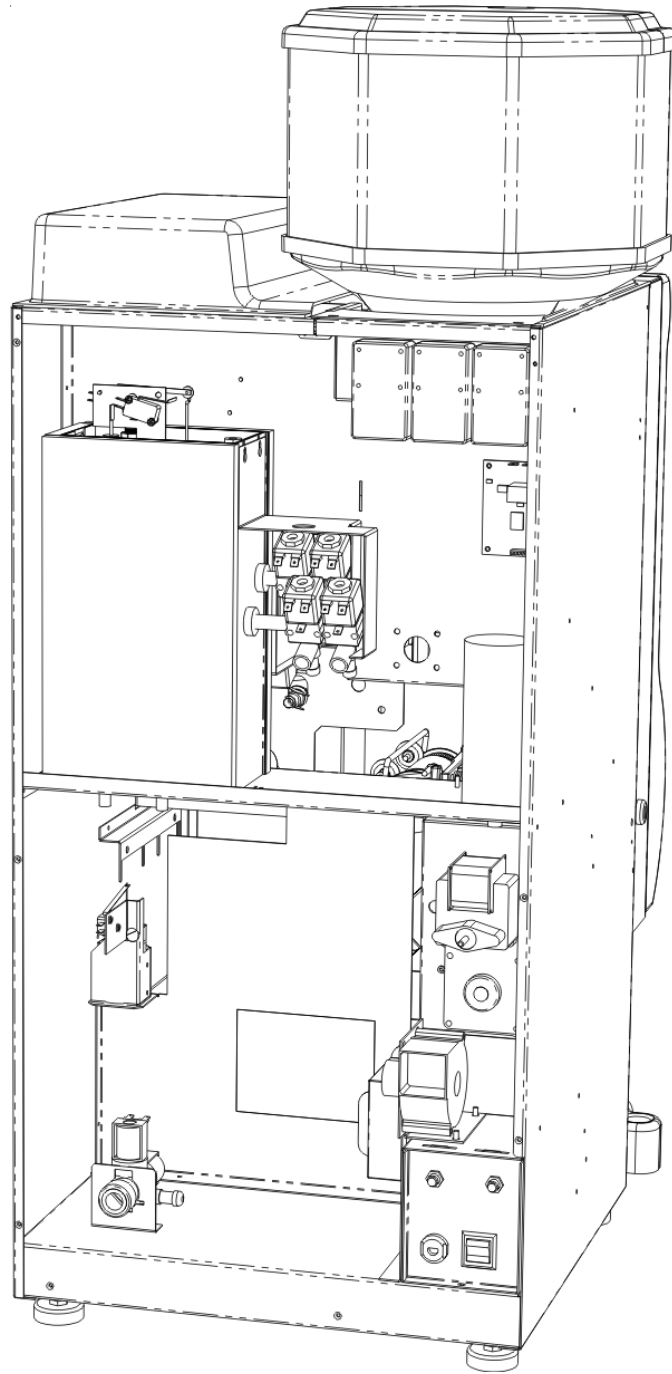
Table of contents

External View.....	5
Rear View.....	6
Internal View.....	7
General Machine.....	9
Main Door.....	11
Interior of Machine.....	13
Brewer Zone.....	15
Brewer Assembly.....	17
Complete Piston 9oz S-A and Rod S-A.....	19
Filter Paper Support S-A.....	21
Hot Water Tank S-A.....	23
Double Outlet Valve.....	25
Canister.....	27

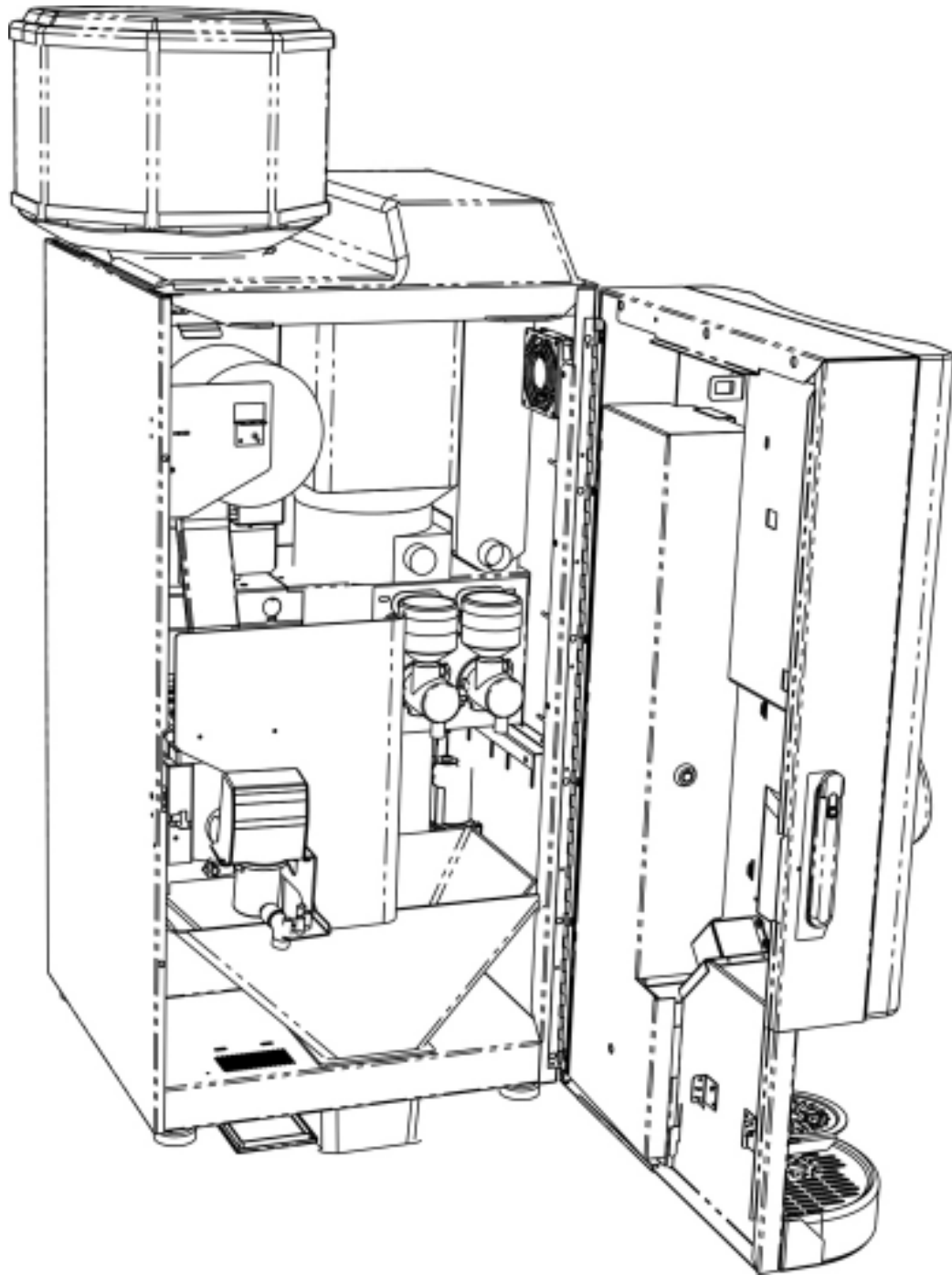
External View



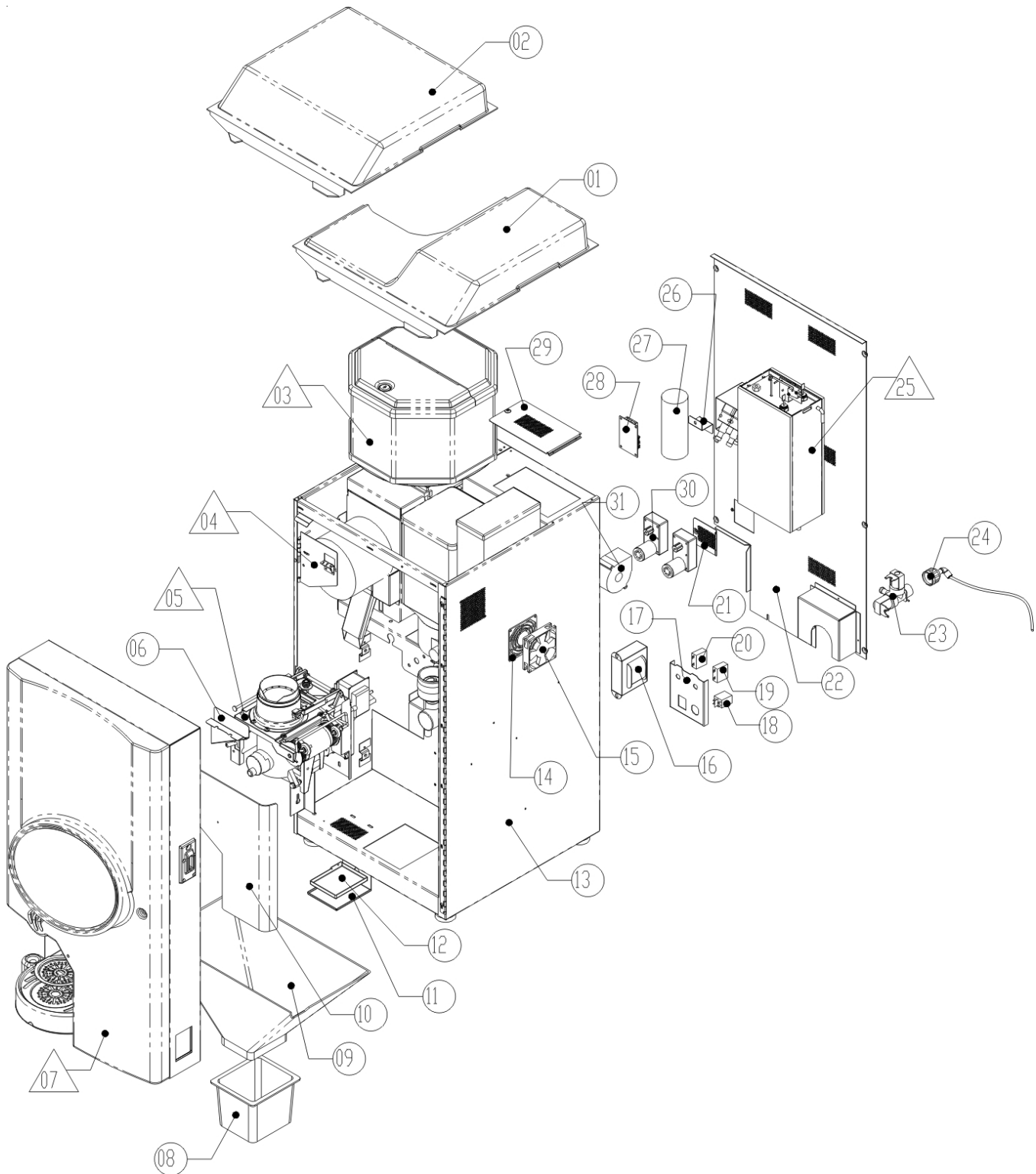
Rear View



Internal View



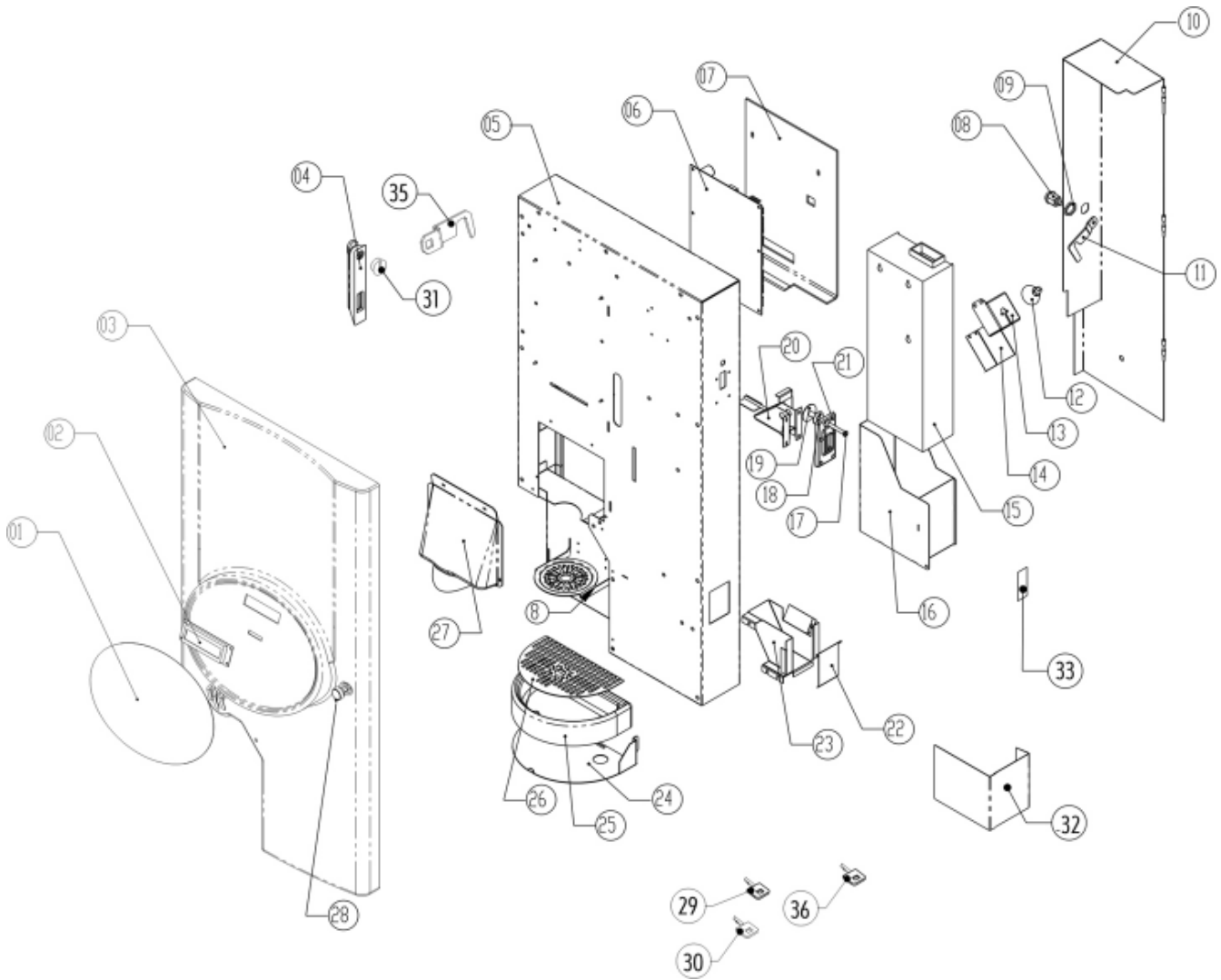
Avalon Triple-B 2006 general machine



PARTS BOOK *AVALON Galleria*

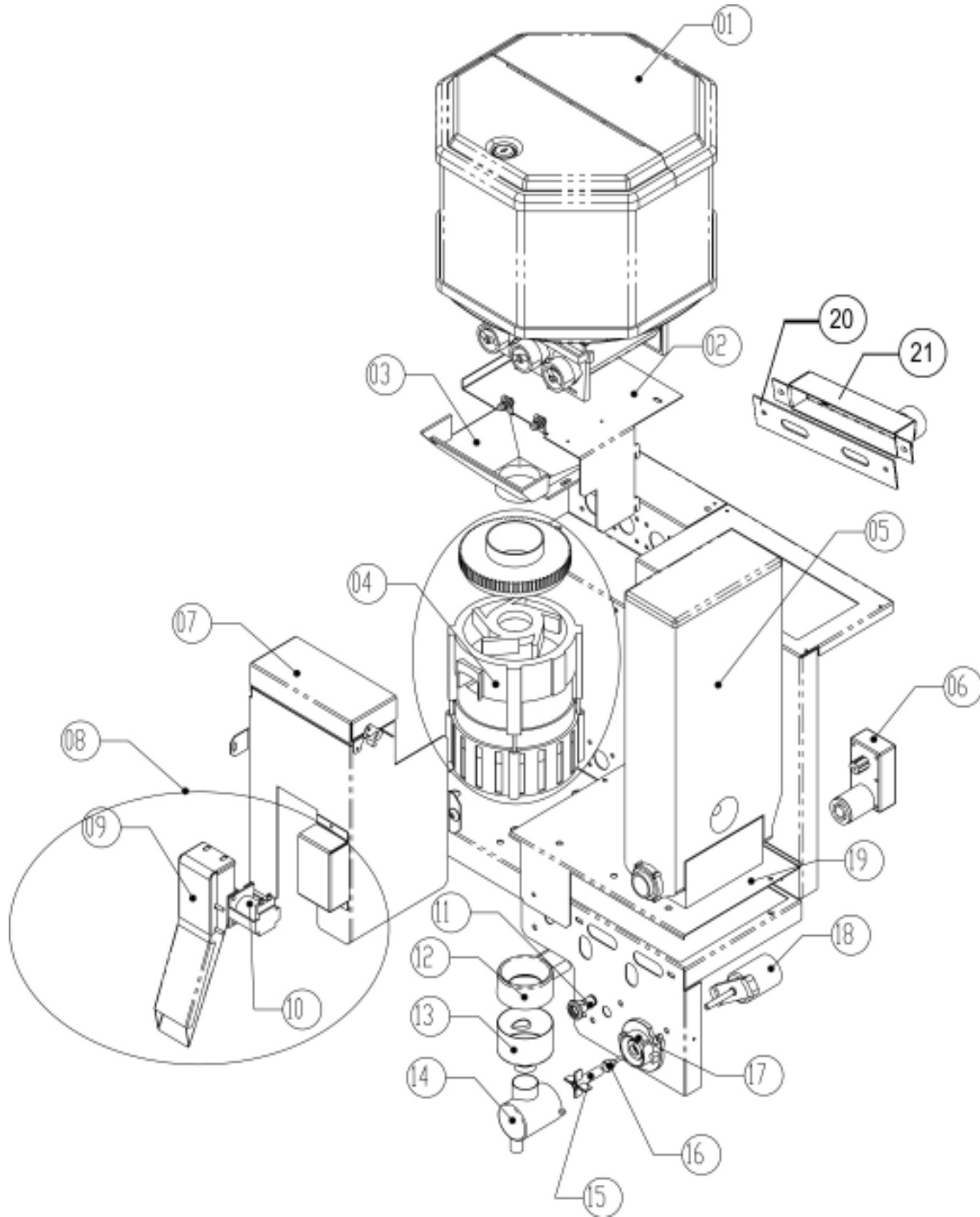
No.	Part Number	Description	Qty
1.	05CAB24	Triple beans hood	1
2.	05CAB16	Plastic hood	1
3.	04CAN01	3 beans canister	1
4.	05ASS02	Paper filter rod S-A	1
5.	06CAB22	Platinum brewer S-A	1
6.	05CAB19C	Front panel bracket	1
7.		Assembled door	1
8.	PECAB17	Square chute	1
9.	05CAB25	Plastic chute	1
10.	05CAB19A	Front panel	1
11.	05CAB11	Overflow drip tray	1
12.	05CAB21	Plastic tray	1
13.	05CAB01	Black cabinet	1
14.	96ELC30	Fan guard	1
15.	04ASS07	Thin fan S-A	1
16.	05ELC09	Transformer with 2 secondary exits	1
17.	05ASS45	Electronic panel S-A	1
18.	96ELC07	On/off switch	1
19.	96ELC13	Breaker 15 amp	1
20.	96ELC14	Breaker 5 amp	1
21.	05CAB27	Access door for fan	1
22.	05CAB02	Back panel	1
23.	01TAN04	Solenoid water inlet valve	1
24.	01TAN05-3/8	3/8" adaptor for solenoid valve	1
25.	05ASS16	Hot water tank S-A	1
26.	PECAB03	Tank guard	1
27.	98MOT03-60	Bean grinder capacitor 60 micro farad	1
28.	03TAN03-P	Thermostat electronic board	1
29.	05CAB12	Access door for tank	1
30.	04MOT01	24V ingredient motor	4 or 5
31.	05ASS08	Blower S-A	1

Main Door



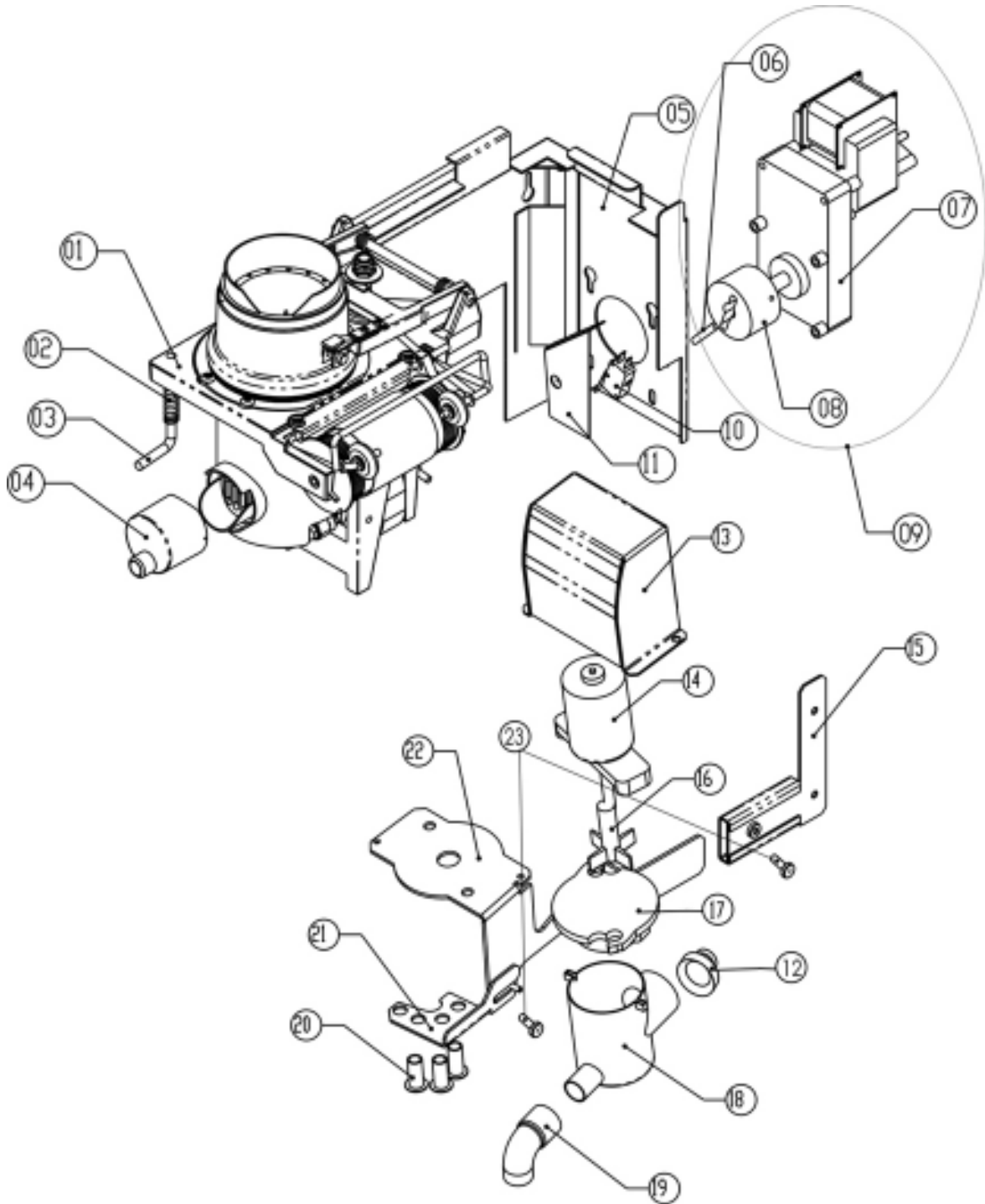
No.	Part Number	Description	Qty
1.	05DOR20-J	Yellow fascia	1
2.	96DOR25	LCD screen	1
3.	05DOR26	Membrane and flat cable	1
4.	05DOR26A-R	English membrane overlay for Quad	1
	05DOR26A-X	English membrane overlay for Triple-B	1
5.	05DOR02	Yellow drip tray support	1
6.	05CAB17-J	Yellow drip tray	1
7.	05CAB10	Grill	1
8.	05ASS07	Light bracket S-A	1
9.	05DOR19	Halogen light	1
10.	96DOR13	Coin return	1
11.	96DOR14	Coin return door	1
12.	UGDOR04	Boite a monnaie	1
13.	05DOR42	Panel for money return	1
14.	05DOR41	Coin insert blocker	1
15.	UGDOR17	Metallic coin insert	1
16.	UGDOR16	Arm for coin insert	1
17.	UGDOR18	Metallic coin insert	1
18.	96DOR19-A	Coin reject plate washer	1
19.	96DOR18	Coin reject pin	1
20.	96HAR38	Retaining ring 3/8"	1
21.	99HAR13	Shoulder washer for slot money	1
22.		Lock nut	1
23.	05DOR03	Inner door lock 13mm (4001)	1
24.	05DOR06	Latch main door	1
25.	2040 GX	Coin changer (American)	1
	2030 CGX	Coin changer (Canadian)	1
26.	UGDOR32	Interior door	1
27.	05DOR32	Lexan plate for electronic board	1
28.	05ELN01	24V main board	1
29.	UGDOR01	Main door	1
30.	05DOR06	Latch main door	1
31.	PEDOR03	Main door lock (13mm)	1
32.		Lock nut	1
33.	05DOR18	Lexan light	1
34.	05DOR05	Cup stand	1
35.	PEDOR30	Key for 13mm lock (R32687)	1
36.	05DOR30	Inner door key (4000)	1
37.	96ASS19	Key holder S-A	1

Interior of Machine



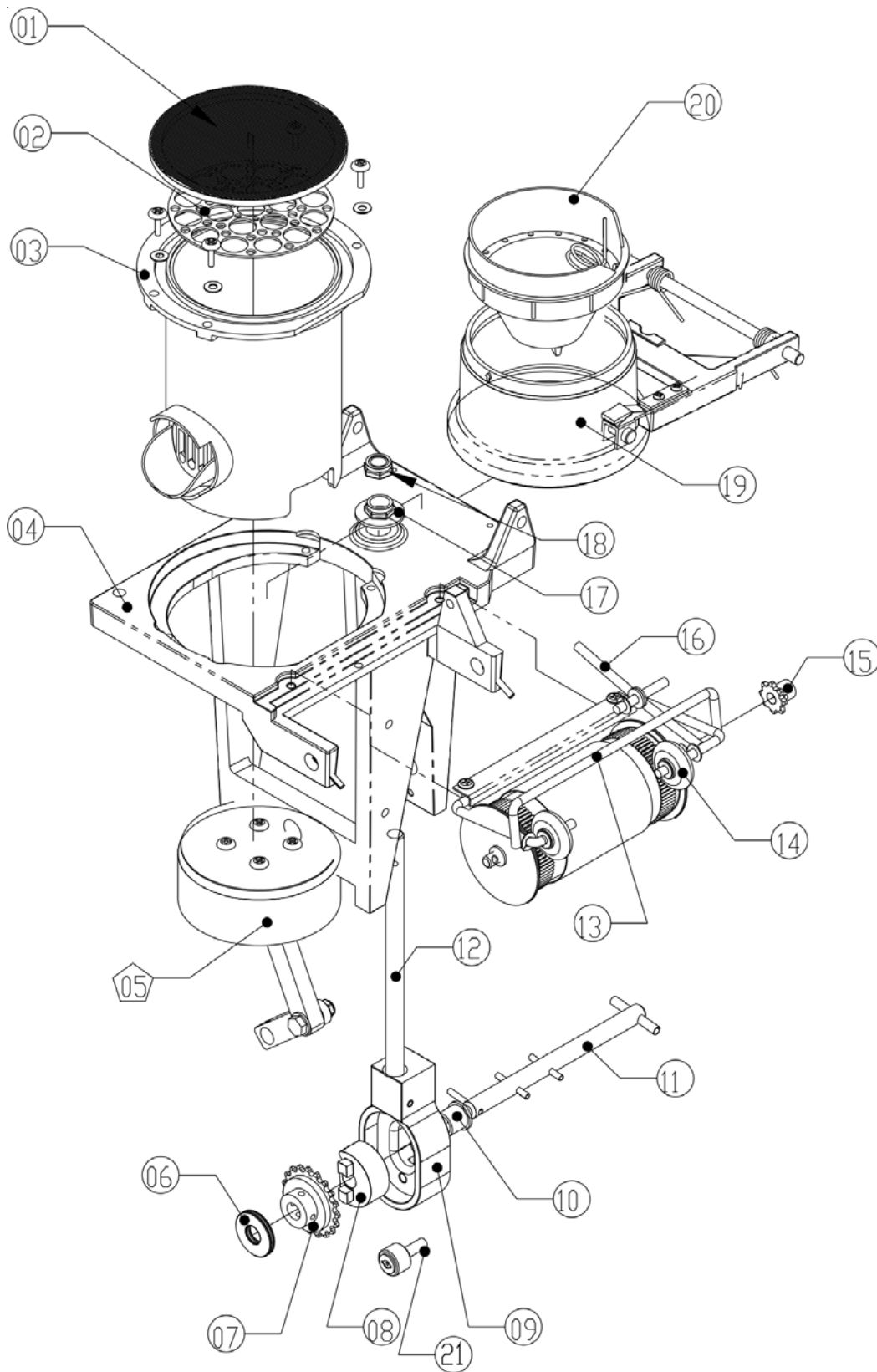
No.	Part Number	Description	Qty
1.	04CAN01	3 beans canister	1
2.	05CAB13	3 beans canister's shelf	1
3.	PECAN22	Beans plastic chute	1
4.	PEASS05	Grinder S-A	1
5.	05CAN01	Canister 78mm x 380mm	1
6.	04MOT01	24V ingredient motor	4 or 5
7.	05CAB15	Grinder and chute protector	1
8.	05ASS03	Solenoid chute S-A	1
9.	02CAB02	Coffee chute	1
10.		24V solenoid (kit)	1
11.	PECHO11	Bowl adaptor	2
12.	PECHO12	Funnel cover	2
13.	03CHO03	Inlet water funnel 6mm, grey, plastic	2
14.	03CHO04	Whipping chamber, grey, plastic	2
15.	03CHO02	Impeller, grey, plastic	2
16.	03CHO07	Pillar, grey, plastic	4
17.	03CHO01	Whipper base S-A, grey, plastic	2
18.	PECHO05	Whipping motor with amp plug 24VDC	2
19.	05CAB38	Removable shelf	1
20.	05CAB37	Cahoutchouc plate	1
21.	05CAB06	Aeration cage AVALON 2006	1

Brewer Zone



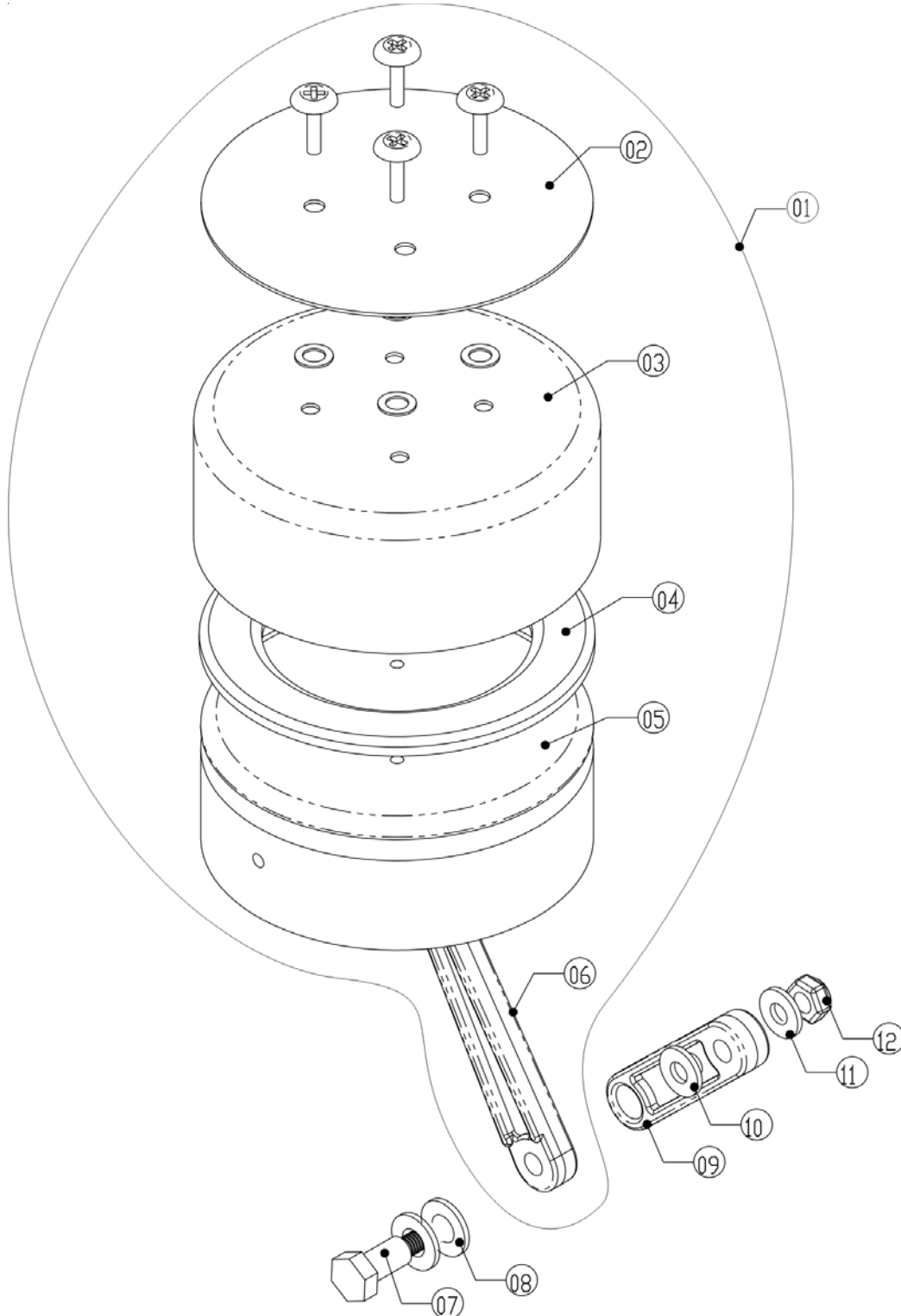
No.	Part Number	Description	Qty
1.	06CAB22	Platinum brewer S-A	1
2.	96BRM02A	Latch spring	1
3.	96BRM10	Latch	1
4.	04BRE78	Injected spout	1
5.	05BRM11	Hoses support	1
6.	05BRM12	Coffee nozzle	1
7.	05BRM13	Cap for coffee nozzle	1
8.	PEBRM08	Hoses support extension	3
9.	96HAR164	Bushing	1
10.	96BRM06	Switch protector	1
11.	96ELC03	Coupling switch (brewer)	1
12.	96BRM01P	Platinum brewer bracket	1
13.	96BRM05-I	Coupling (dog drive)	1
14.	96HAR40	Coiled spring pin 1/8" x 1 1/2"	1
15.	96BRM03	Brewer motor	1
16.	96ASS22	Brewer motor S-A	1

Brewer Assembly



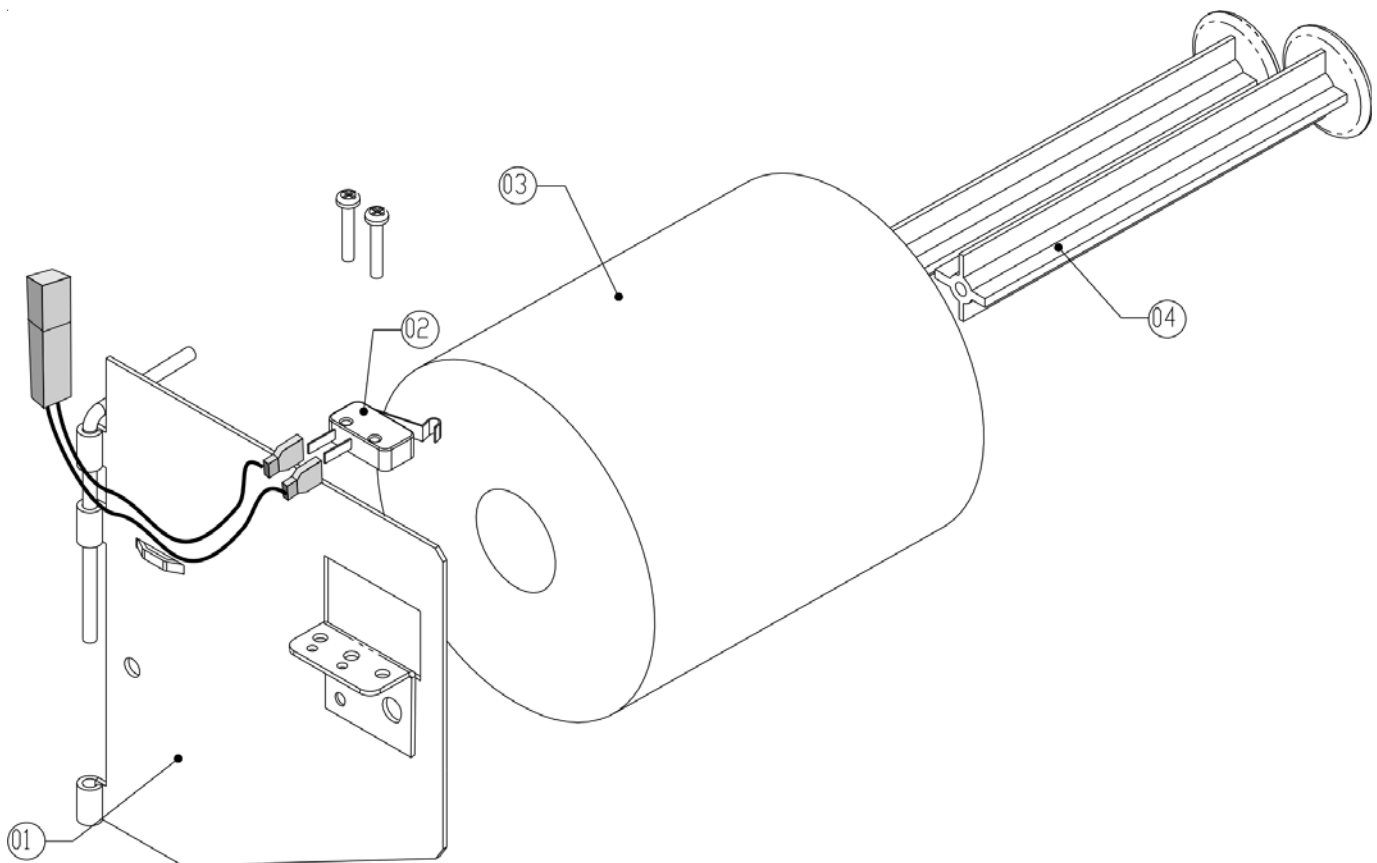
No.	Part Number	Description	Qty
1.	99BRE55R	Screen and seal	1
2.	99BRE54R	Screen support	1
3.	99BRE52R	9oz cylinder	1
4.	99BRE51R	Platinum main support	1
5.	98SAS137-I	Complete 9oz. piston and rod S-A injected	1
6.	96HAR104	Flat washer 0.390 X 1.00 X 0.062	1
7.	98SAS100	Clutch sprocket S-A	1
8.	SBBRE030	Cam	1
9.	SBBRE029	Cam box	1
10.	96HAR105	Large bushing	1
11.	98SAS108	Main shaft S-A	1
12.	99BRE25R	Platinum vertical rod	1
13.	99SAS134	Yoke S-A	1
14.	06SAS109	Wheel S-A with insert	1
15.	SBBRE071	Tape drum shaft sprocket	1
16.	99BRE74R	Platinum lift bar	1
17.	98BRE57	Adjusting nut, 3/8 – 24	1
18.	96HAR115	Nylon lock nut, 3/8 – 24	1
19.	99BRE65R	Platinum brew chamber	1
20.	98BRE64	Funnel	1
21.	98BRE28	Bearing	1

Complete Piston 9oz S-A and Rod S-A



No.	Part Number	Description	Qty
1.	98SAS137-I (includes #2 to #6)	Complete 9oz. piston and rod S-A injected	1
2.	98BRE38	Top plate	1
3.	98BRE39	Teflon seal	1
4.	98BRE41	Piston o'ring	1
5.	98BRE42-I	Piston 9oz. injected	1
6.	98BRE43-I	Piston lever injected	1
7.	96HAR109	Crank arm shoulder screw	1
8.	96HAR125	Flat washer 0.5 x 0.265 x 0.03	1
9.	98BRE35-I	Injected crank arm	1
10.	96HAR108	Flat washer 0.39 x 1 x 0.062	1
11.	96HAR108	Flat washer 0.39 x 1 x 0.062	1
12.	96HAR102	Nylon lock nut 10-24	1

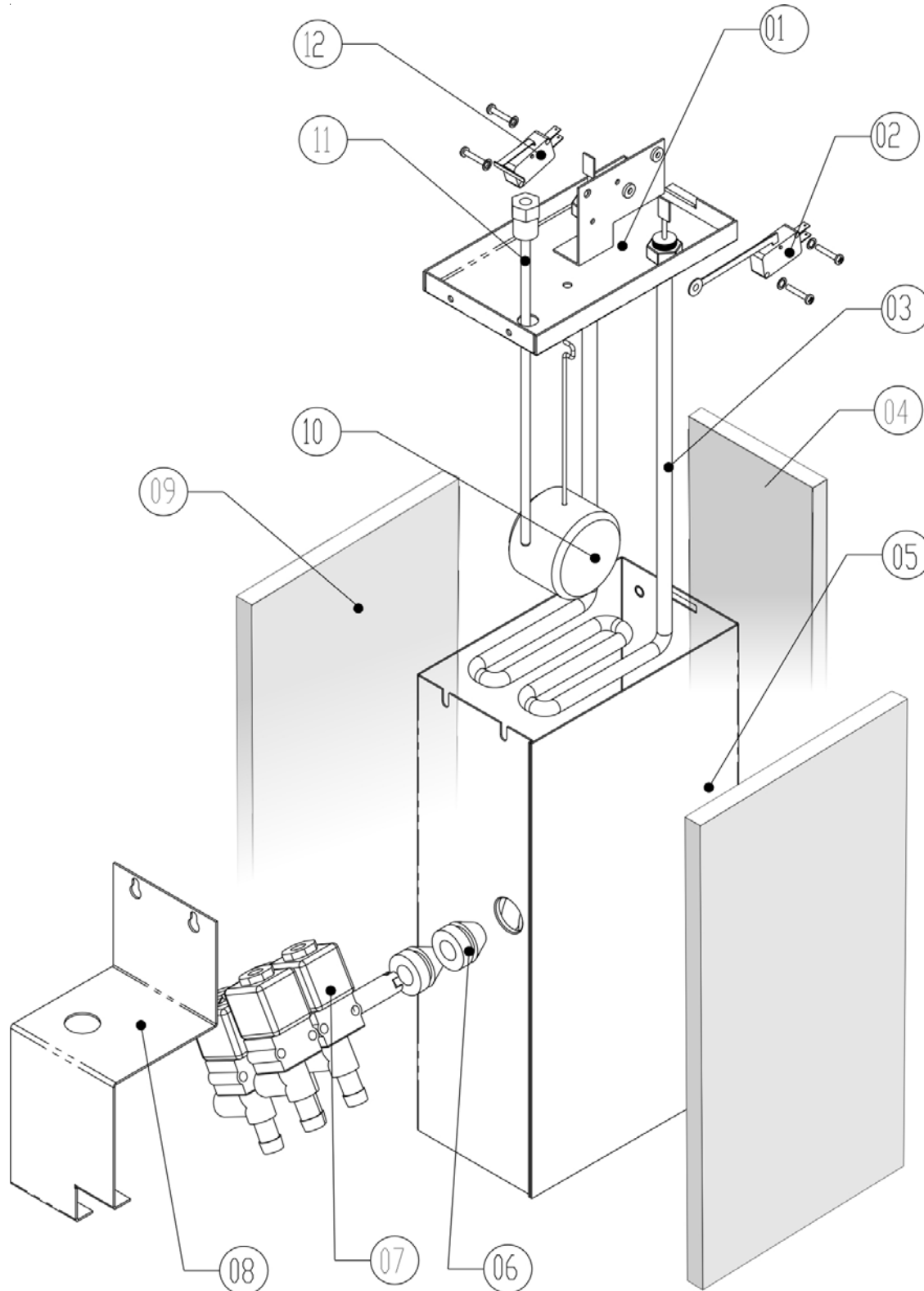
Filter Paper Support S-A



PARTS BOOK AVALON *Galleria*

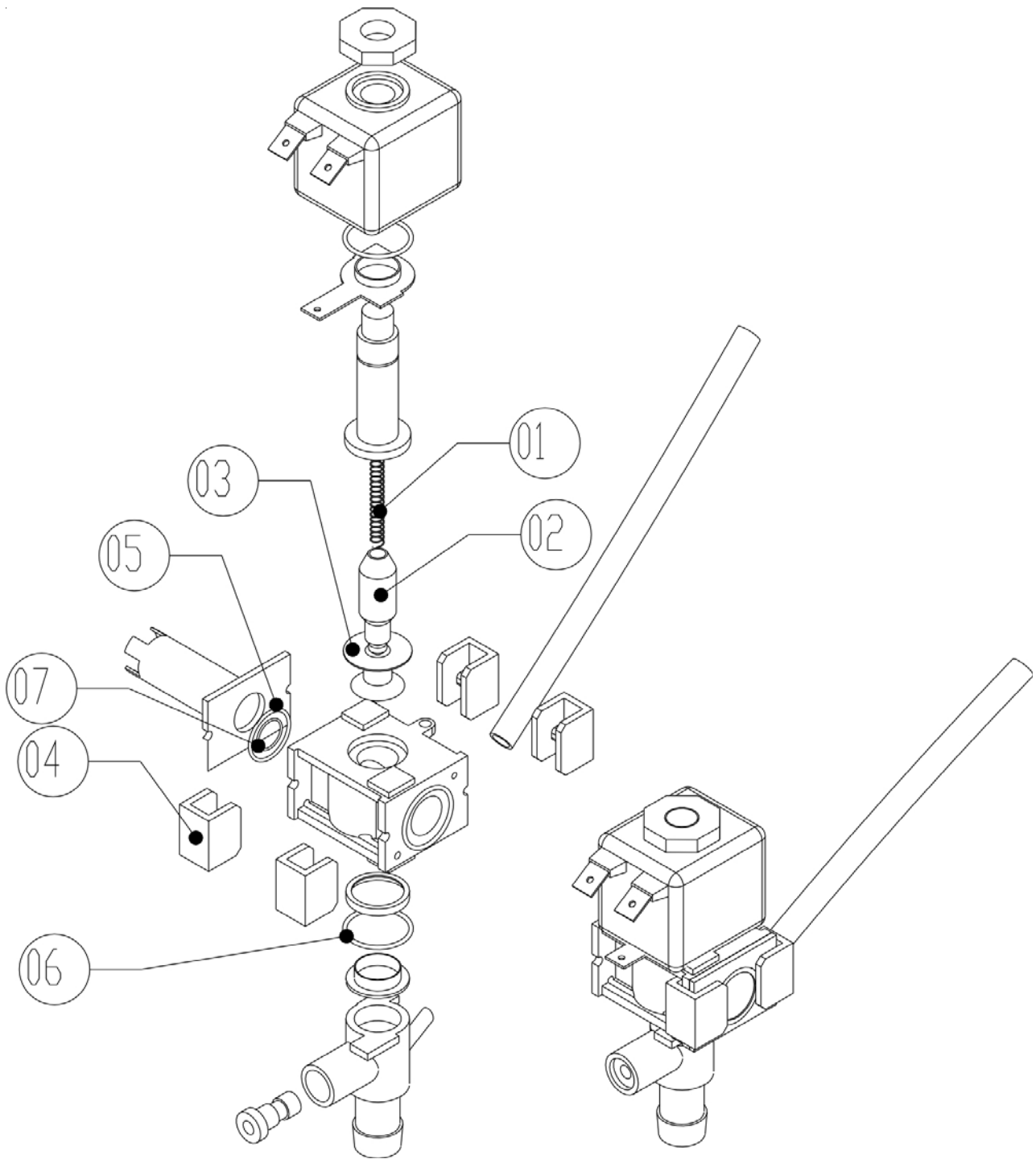
No.	Part Number	Description	Qty
1.	05ASS02	Paper filter rod S-A	1
2.	PEELC32	Paper filter switch	1
3.	99CAB29R	Platinum paper filter rod	2
4.	03CAB06	Injected filter paper rod	1

Hot Water Tank S-A



No.	Part Number	Description	Qty
1.	PETAN02	Tank cover	1
2.	96ASS09	Water level switch S-A	1
3.	PETAN03	Element 1250W	1
4.	PETAN21	Front insulator 11 x 3 1/2	1
5.	PETAN01	Hot water tank	1
6.	PETAN05	Conical mounting seal 8" for valve DN8	1
7.	PETAN07B	Double outler valve	2
8.	05CAB23	Valve support	1
9.	PETAN20	Side insulator 11 1/2 x 6 1/4	2
10.	96ASS15	Hot water tank float S-A	1
11.	03TAN03	Temperature probe	1
12.	96ELC06	Heater safety switch	1

Double Outlet Valve



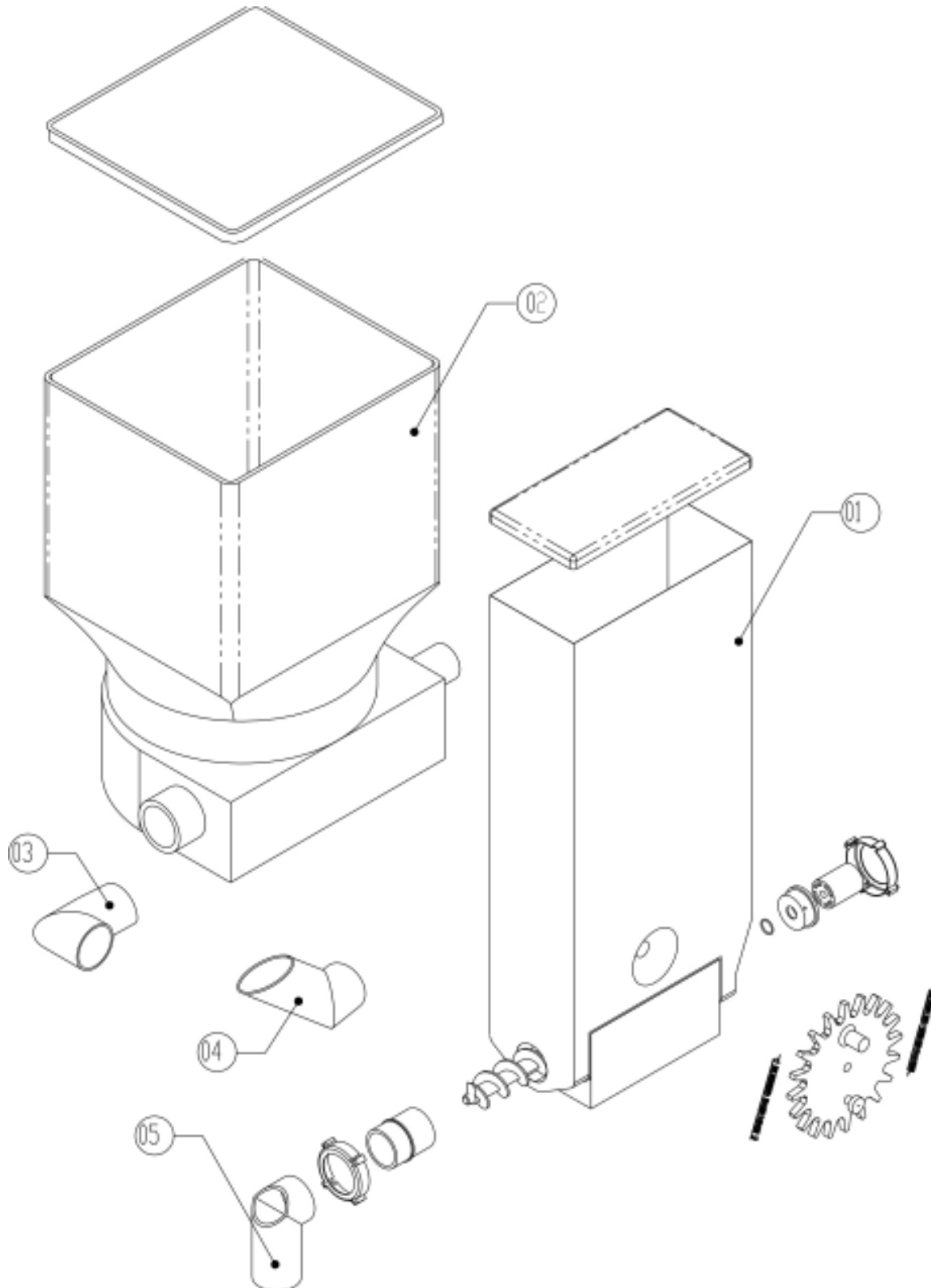
PETAN45

Valve replacement kit

Includes:

<u>No.</u>	<u>Description</u>	<u>Qty</u>
1.	Nucleus spring 0.41KG	1
2.	Plunger	1
3.	Valve membrane	1
4.	Manifold clip valve	1
5.	O'Ring 0110 – 2 x 15 Red silicone	1
6.	O'Ring 0110 – 2 x 11 Red silicone	1
7.	O'Ring 2056 Red silicone	1

Canister



AV3B06

Part Number	Description
04CAN01	3 beans canister
05CAN05C	Short double canister 160 x 315mm
05CAN01	Canister 78 x 380mm
PECAN21	Ventilated elbow 37 x 51mm (x2)

AVQ06

No.	Part Number	Description	Qty
1.	05CAN01	Coffee and soluble #2 canisters 78 x 380mm	3
2.	05CAN05	Double soluble #1 canister 160 x 380mm	1
3.	05CAN03	Coffee #1 elbow	1
4.	05CAN04	Coffee #2 elbow	1
5.	PECAN21	Ventilated elbow 37 x 51mm	2