



PARTS BOOK



PARTS BOOK
AVALON La Petite-X





Table of contents

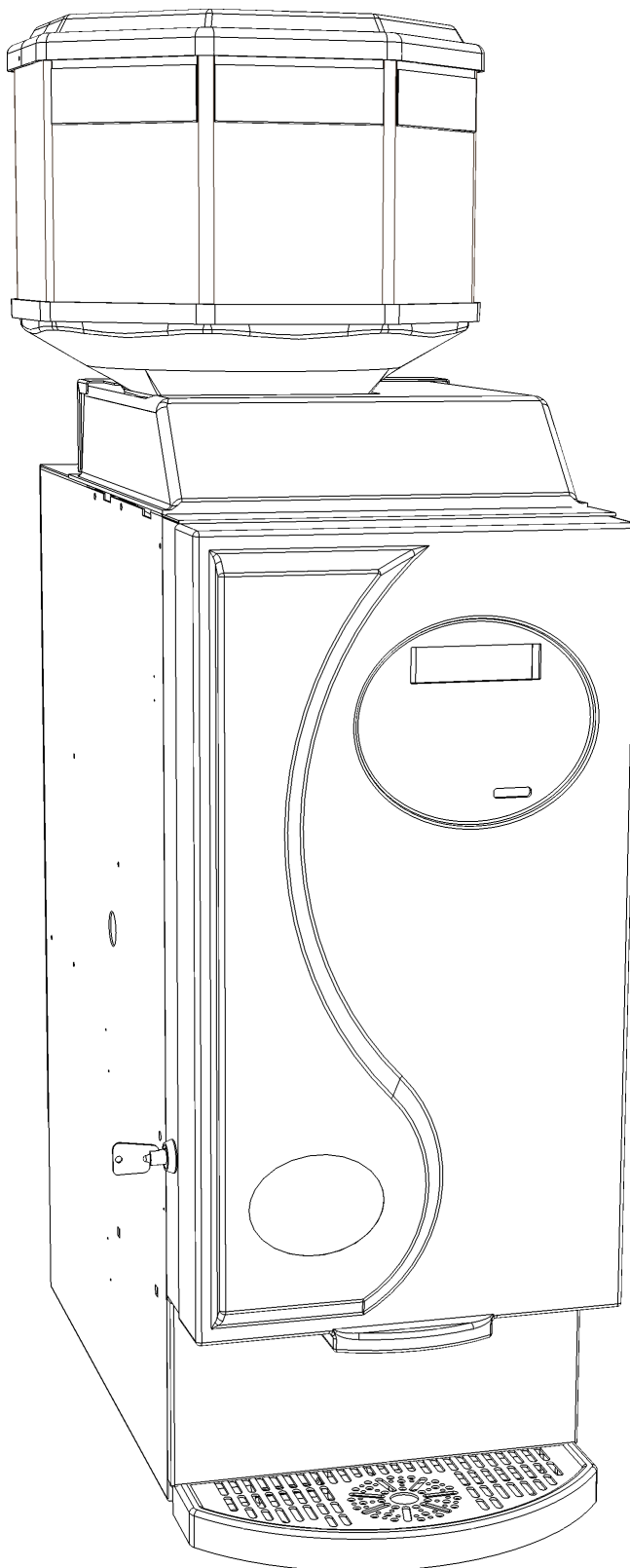
External view	5
Rear view	6
Internal view	7
Petit-X general machine	8
Main Door	10
Interior of Machine	12
Platinum brewer S-A (06CAB22)	14
“H” frame with brew chamber platinum S-A (06SAS136)	16
Cam housing S-A (SBSAS1135)	18
Piston & cylinder S-A (06SAS101)	20
Complete piston 9 oz and rod S-A injecte (98SAS137-I)	22
Yoke S-A (platinum) (06SAS134)	24
Platinum brewer bracket S-A (PEASS20)	26
Modified grinder S-A (08ASS05)	28
24V solenoide chute S-A (PEASS03-2)	30
Canister for coffee 3 beans S-A (PEASS26)	32
3 beans shelf S-A Avalon (PEASS01-2)	34
GFCI electric pannel S-A (PEASS45-2)	36
Water tank S-A (PEASS16-X/R)	38
Improved water tank lid S-A (09ASS18)	40
Switch paper bracket S-A (PEASS02-3)	42
Overflow support & motor’s protection S-A (PEASS46-2)	44
Overflow tray S-A (PEASS30)	46
Canisters (PECAN09C & PECAN01C)	48
Wipper assembly	48
Canister (PECAN09C & PECAN01C)	49
Coin box kit La Petite S-A (PEASS04-2)	50
Accessories	52
Hardware	54
Tubing	57

PARTS BOOK
AVALON La Petite-X



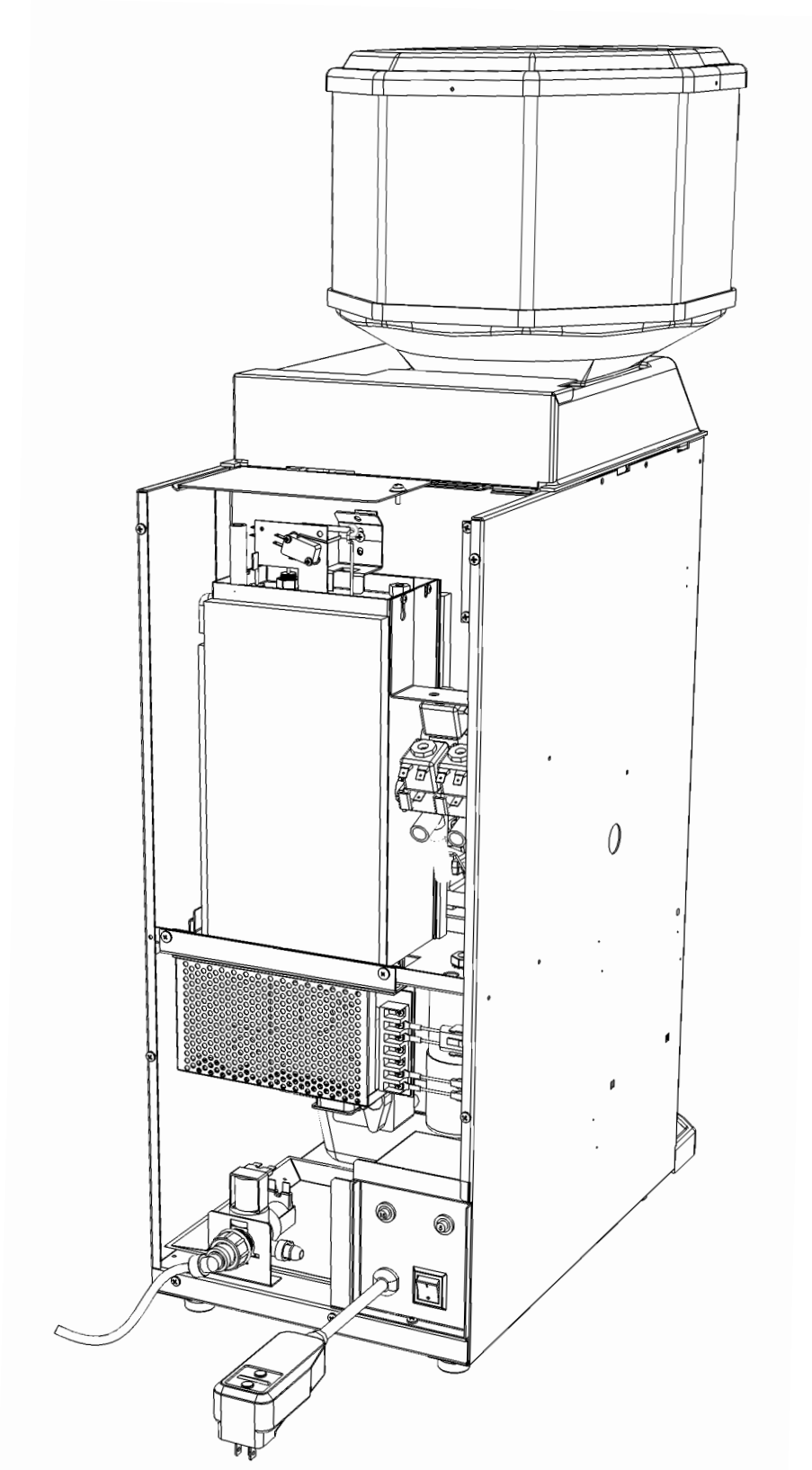


External view



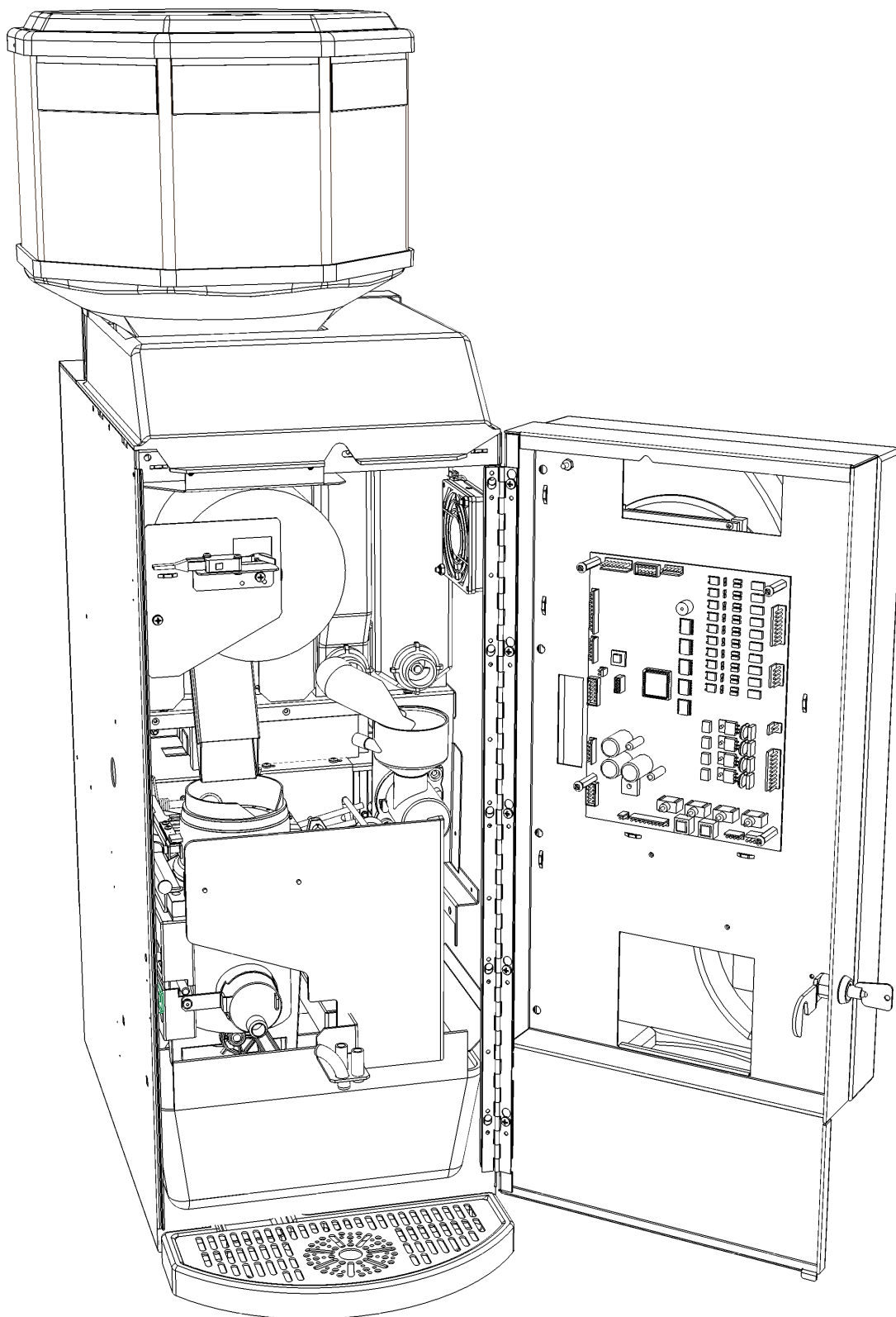


Rear view



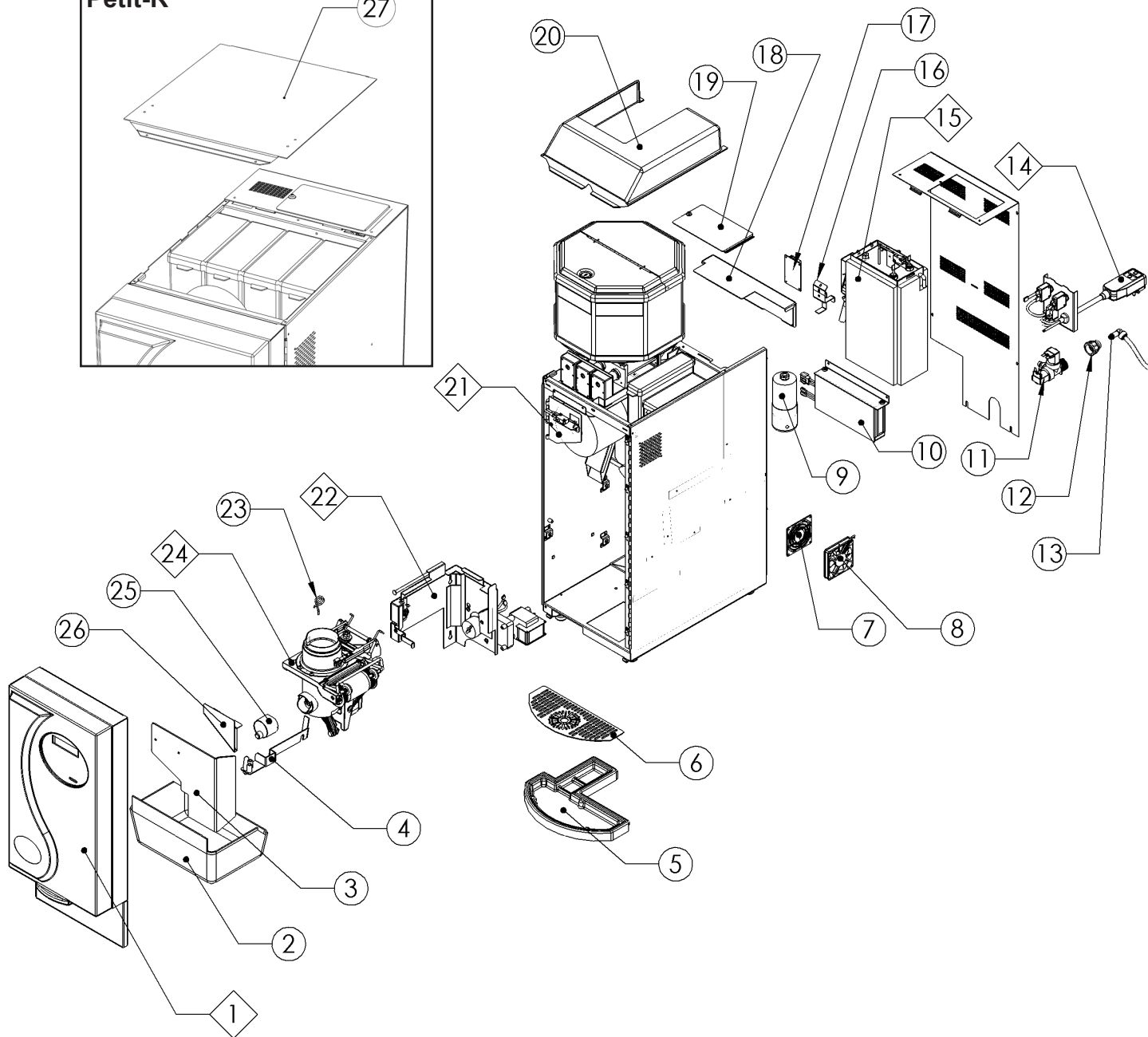
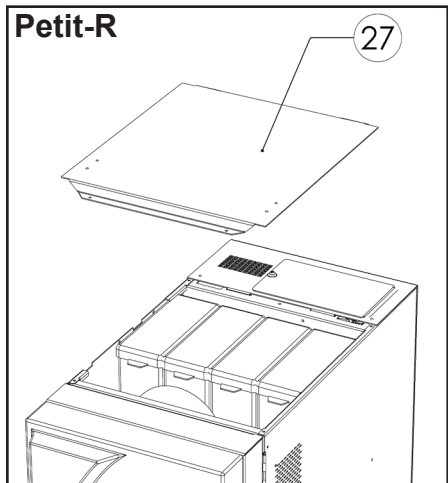


Internal view





Petit-X general machine



These parts are showing in details in the following pages. (See next page for more details)



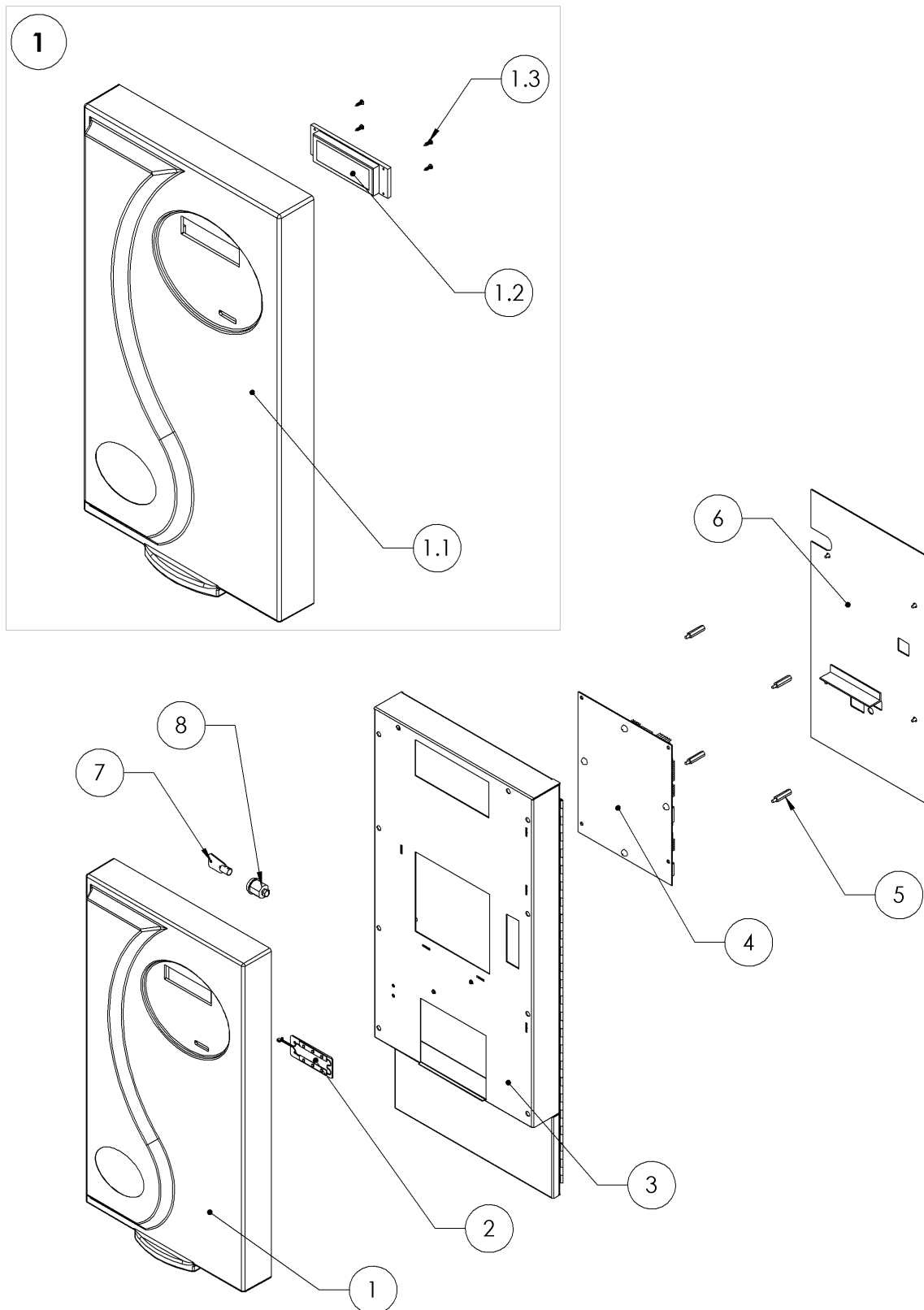
No.	Numéro de pièce	Description	Qté	◇
1		Assembled Door	1	P.10
2	PECAB15	Waste basket	1	
3	PEASS19	Front panel S-A	1	
4	PEBRM12	Simplified hoses support	1	
5	PECAB08	Black drip tray	1	
6	PECAB09	Liquid dispenser grill	1	
7	96ELC30	Fan guard	1	
8	04ASS07	Thin fan (15 mm) S-A	1	
9	98MOT03-60	Bean grinder capacitor 60 micro farad	1	
10	PEASS07	27v dc power supply S-A	1	
11	01TAN04	Double solenoid water inlet valve	1	
12	01TAN05	Fitting 3/8" for solenoid valve 110v	1	
13	03TAN27	Inlet fitting elbow 3/8" to 1/4" plastic	1	
14	PEASS45-2	GFCI electric pannel S-A	1	P.36
15	PEASS16-X	Water tank S-A 3 beans	1	P.38
16	06CAB03	Tank support	1	
17	03TAN03-P	Electronic thermostat board	1	
18	PECAB38	Plastic hood retainer	1	
19	PECAB07	Back pannel trap	1	
20	PECAB33	3 beans plastic top	1	
21	PEASS02-3	Retrofit paper filter rod S-A	1	P.42
22	PEASS20	Brewer bracket S-A	1	P.26
23	02BRE01	Hoses support for brew chamber	1	
24	06CAB22	Brewer S-A	1	P.14
25	04BRE78	Injected spout	1	
26	05CAB19C	Front pannel bracket for brewer	1	

Petit-R				
27	PECAB04	Flat metal hood	1	

◇ See page number for
assembly details.



Main Door

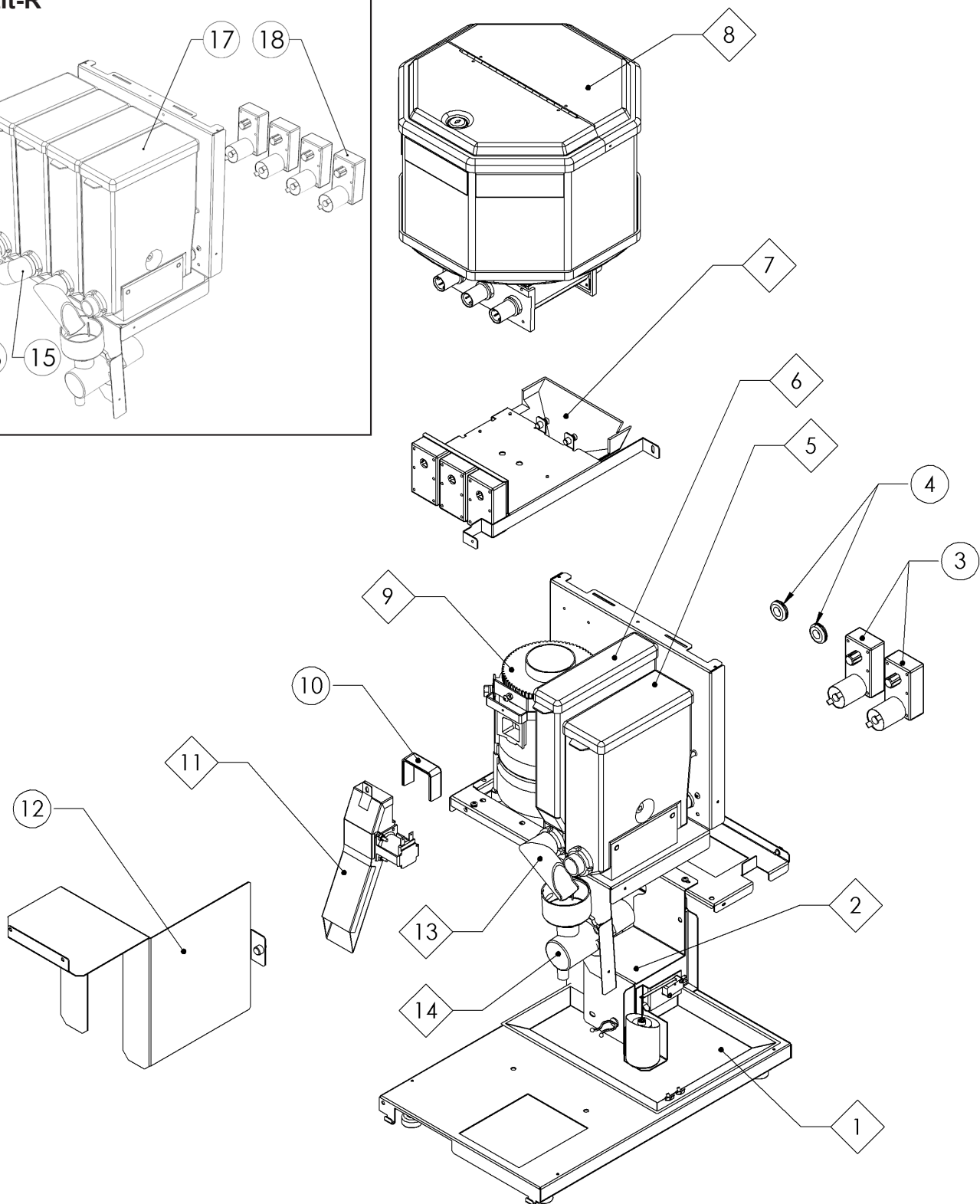
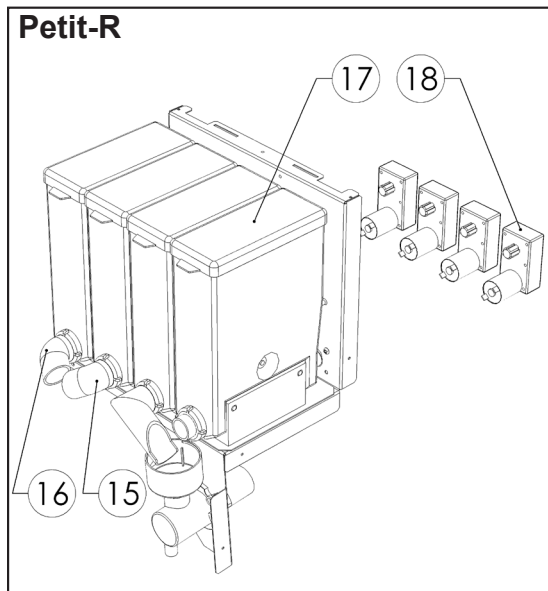




No.	Numéro de pièce	Description	Qté
1	PEASS10AL	Brushed aluminium fascia S-A	1
1.1	PEDOR20AL	Brushed aluminum La Petite fascia	1
1.2	96DOR25	LCD screen	1
1.3	10HAR16	ScREW # 4 x 3/8" Pan Ph SS	4
2	09ASS01	Blue leds bracket S-A	1
3	PEDOR01	Principal door	1
4	08ELN01-3	Main board	1
5	96HAR29	Fixation posts 6-32 x 1" long	4
6	PEDOR10	Lexan (board protector) La Petite	1
7	PEDOR30	Key (#r32687)	1
8	PEDOR03	Lock 13 mm (#r32687)	1



Interior of Machine





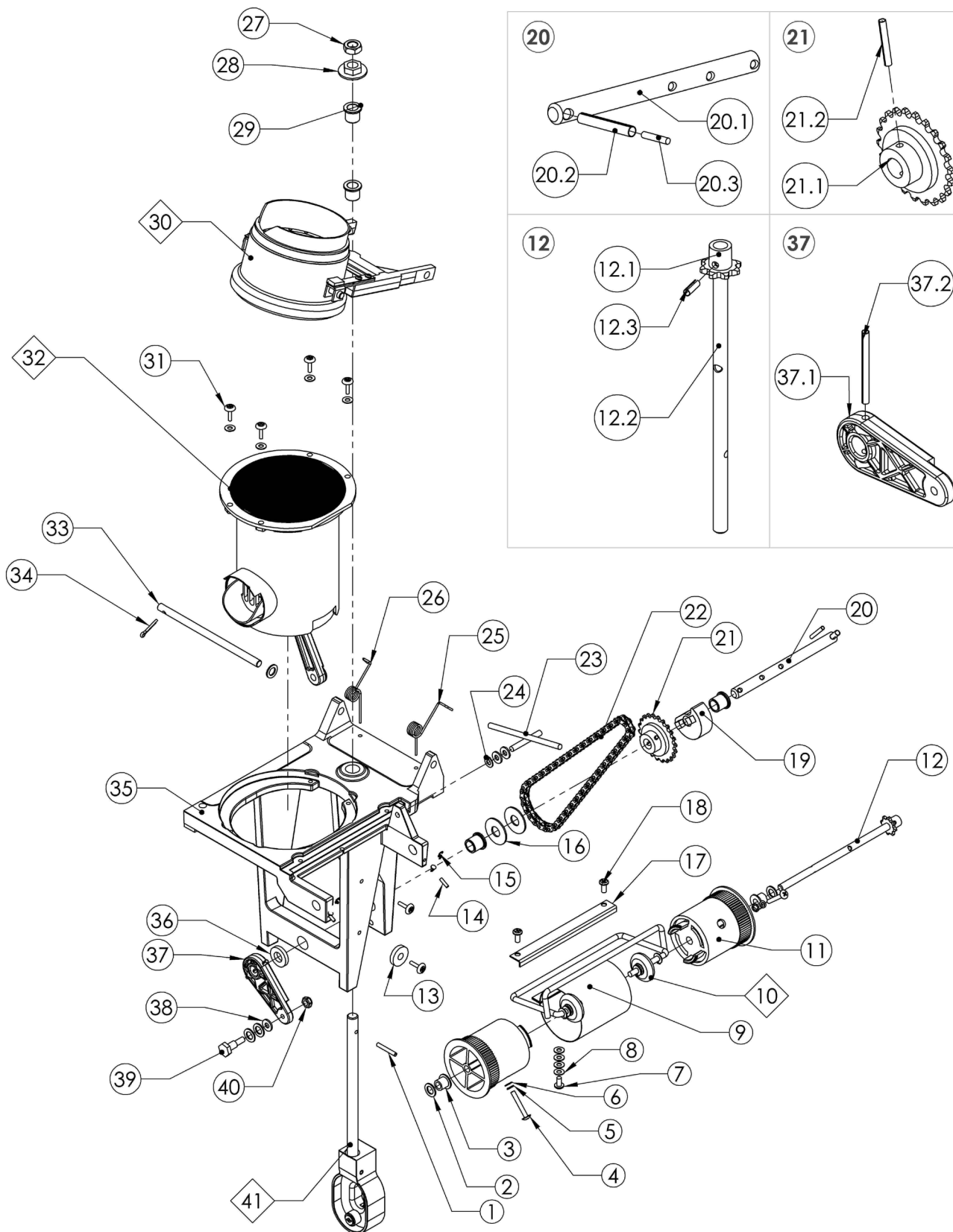
No.	Numéro de pièce	Description	Qté	◇
1	PEASS30	Overflow tray s-a	1	P.46
2	PEASS46-2	Overflow support motor protect. S-A	1	P.44
3	04MOT01	24V ingredient motor	2	
4	PEHAR12	Rubber grommet 1/2 x 13/16 x 5/16	2	
5	PECAN01C	Canister 67 mm X 164 mm X 220 mm	1	P.48
6	PECAN09C2	Canister 42 mm X 180 mm X 256 mm	1	P.48
7	PEASS01-2	La Petite 3 beans shelf S-A	1	P.34
8	PEASS26	Canister for coffee 3 beans S-A La Petit	1	P.32
9	08ASS05	Modified grinder S-A	1	P.28
10	07ASS107	5 1/4" (133 mm) "u" shape seal S-A	1	
11	PEASS03-2	La Petite 24V DC solenoid chute S-A	1	P.30
12	PECAB42-2	Grinder protector La Petite	1	
13	PECAN11	Elbow 38 x 70 mm right	1	P.48
14		Wipper assembly	1	P.48

Petit-R

15	08CAN02	135° short elbow	1	
16	08CAN03	135° long elbow	1	
17	PECAN01	Canister 67 mm x 164 mm x 242 mm	4	
18	04MOT01	24v ingredient motor	4	



Platinum brewer S-A (06CAB22)





No.	Numéro de pièce	Description	Qté	◇
1	96HAR103	Spring pin 1/8 x 7/8 SS	2	
2	96HAR125	Flat washer .265 x .500 x .030 SS	5	
3	96HAR117	Main frame small bushing	2	
4	08HAR02	Screw 6-32 x 1" Truss Ph. SS	2	
5	06HAR116	Spring washer #6 SS	2	
6	96HAR10	Tooth lockwasher #6	2	
7	96HAR126	Screw 8-32 x 5/16" Pan Ph. SS	1	
8	96HAR124	Flat washer #8 .170 x .375 x .032 SS	8	
9	98BRE76	Tape drum guide band	1	
10	06SAS134	Yoke S-A (platinum)	1	P.24
11	99BRE75R-I	Injected tape drum	2	
12	SBSAS0104-I	Drum shaft S-A injected	1	
12.1	SBBRE071	Tape drum shaft sprocket	1	
12.2	99BRE73R-I	Platinum extended tape drum shaft	1	
12.3	SBHAR121	Slotted spring pin 1/8" x 3/8" SS	1	
13	96HAR164	Shoulder washer (# 121c)	1	
14	96HAR113	Spring pin 3/32 x 5/8	2	
15	98BRE05	Extension spring Platinum	2	
16	96HAR104	Flat washer .390 x 1.00 x .047 SS	2	
17	99BRE06R	Platinum yoke retaining plate	1	
18	96HAR101	Screw 8-32 x 3/8" Round Ph. SS	2	
19	SBBRE030	Cam	1	
20	98SAS108	Main shaft S-A	1	
20.1	98BRE47	Main shaft	1	
20.2	96HAR110	Spring pin 3/16 x 1 1/4 SS	1	
20.3	96HAR111	Taper pin #4/0 x 3/4 SS	1	
21	SBSAS0100	Clutch sprocket S-A	1	
21.1	SBBRE031	Clutch sprocket	1	

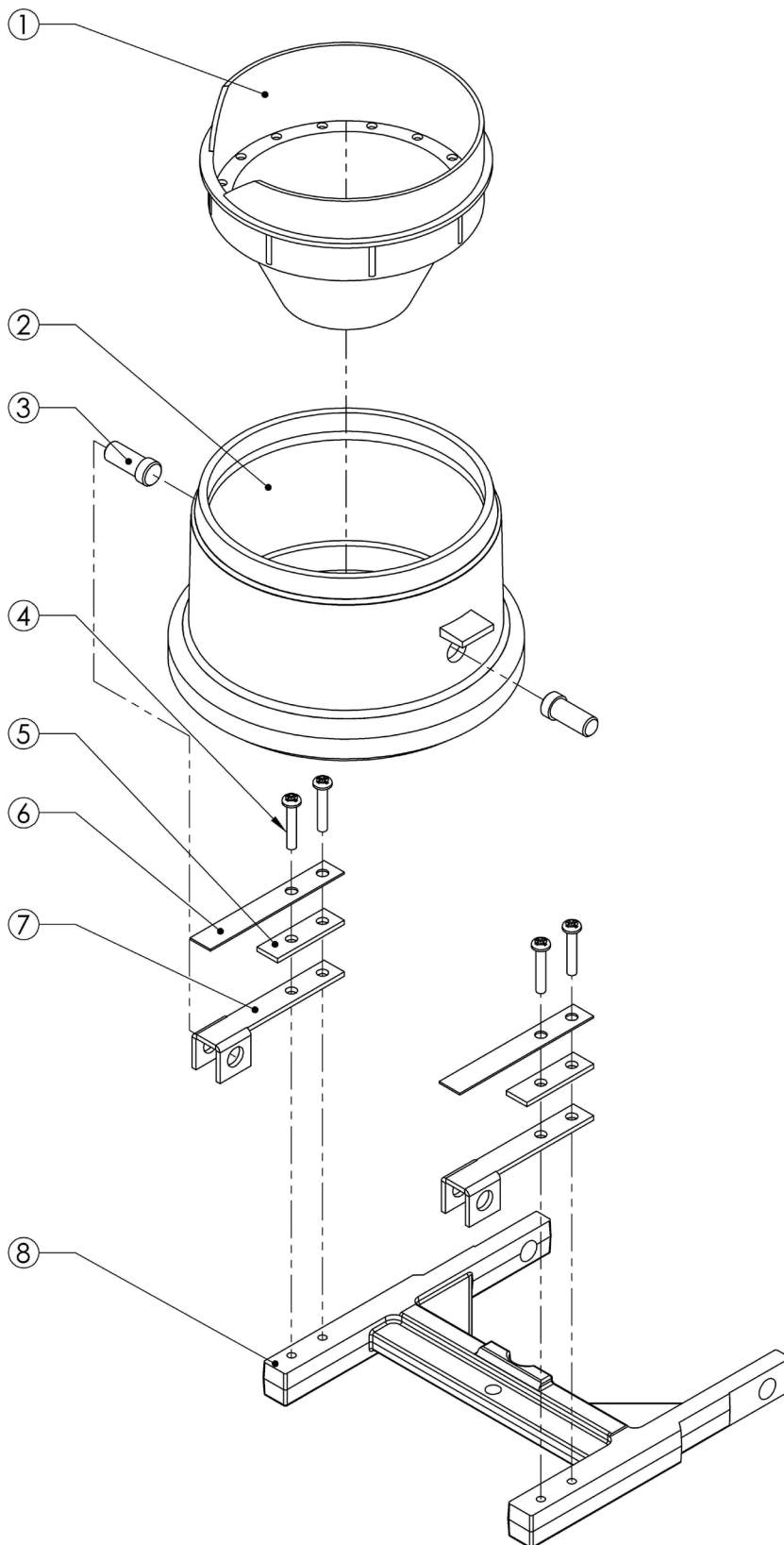


21.2	96HAR103	Spring pin 1/8 x 7/8 SS	1	◇
22	SBBRE009	Chain 68 pitches connecting link include	1	
23	99BRE74R	Platinum lift bar	1	
24	96HAR100	Retaining ring 3/16 (zinc)	1	
25	98BRE68	Right side lift spring (Platinum)	1	
26	98BRE67	Left side lift spring (Platinum)	1	
27	96BRE56	Nut 3/8"-24 x 7/32" thick SS	1	
28	98BRE57	Adjusting nut 3/8-24 (Platinum)	1	
29	96HAR105	Large bushing	4	
30	06SAS136	"H" frame with brew chamber platinum S-A	1	P.16
31	96HAR49	Screw 8-32 x 1/2" Truss Ph. SS	6	
32	06SAS101	Piston & cylinder S-A	1	P.20
33	98BRE69	H-frame shaft	1	
34	96HAR116	Cotter pin 3/32 x 1/2" SS	1	
35	99BRE51R	Platinum principal support	1	
36	10BRE01	UHMW flat washer .380 x .750 x .130	1	
37	98SAS103-I	Crank arm S-A injected	1	
37.1	98BRE35-I	Injected crank arm	1	
37.2	96HAR40	Coiled spring pin 1/8" x 1 1/2" (SS 420)	1	
38	96HAR108	Flat washer .203 x .437 x .032 SS	3	
39	10BRE02	Shoulder screw	1	
40	96HAR102	Hex 10-24 locknut nylon insert & SS	1	
41	SBSAS1135	Cam housing S-A	1	P.18





“H” frame with brew chamber platinum S-A (06SAS136)

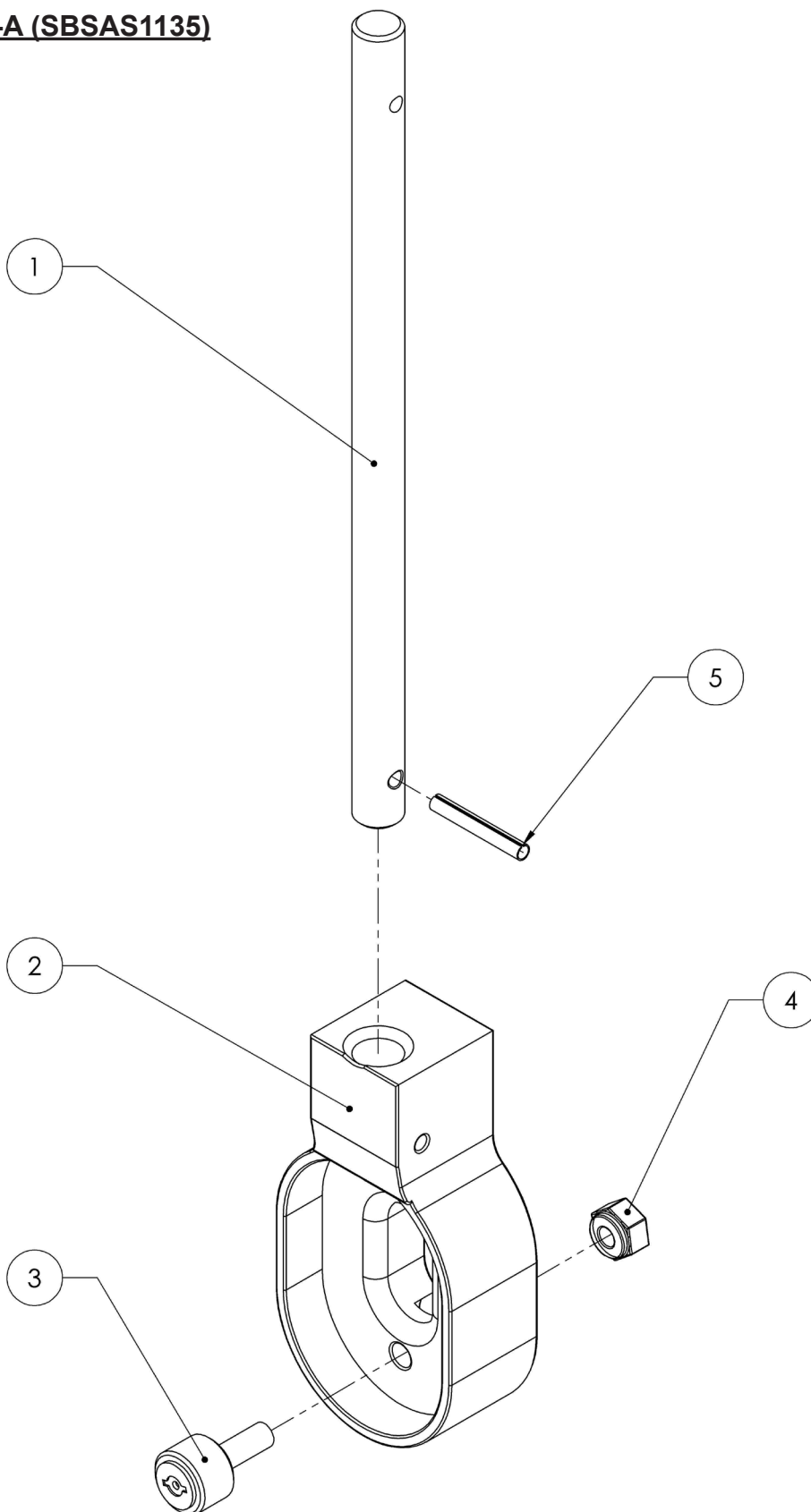




No.	Numéro de pièce	Description	Qté
"H" frame with brew chamber platinum S-A (06SAS136)			
1	98BRE64	Funnel Avalon-Petite	1
2	99BRE65R	Platinum brew chamber	1
3	98BRE63	Pin pressure spring (Platinum)	2
4	96HAR114	Screw 6-32 x 5/8" Pan. Ph. SS	4
5	98BRE61	Superior plate (Platinum)	2
6	01BRE59	Spring plate	2
7	98BRE58	Pressure spring, H-frame	2
8	99BRE66	Brewer H-frame (platinum)	1



Cam housing S-A (SBSAS1135)

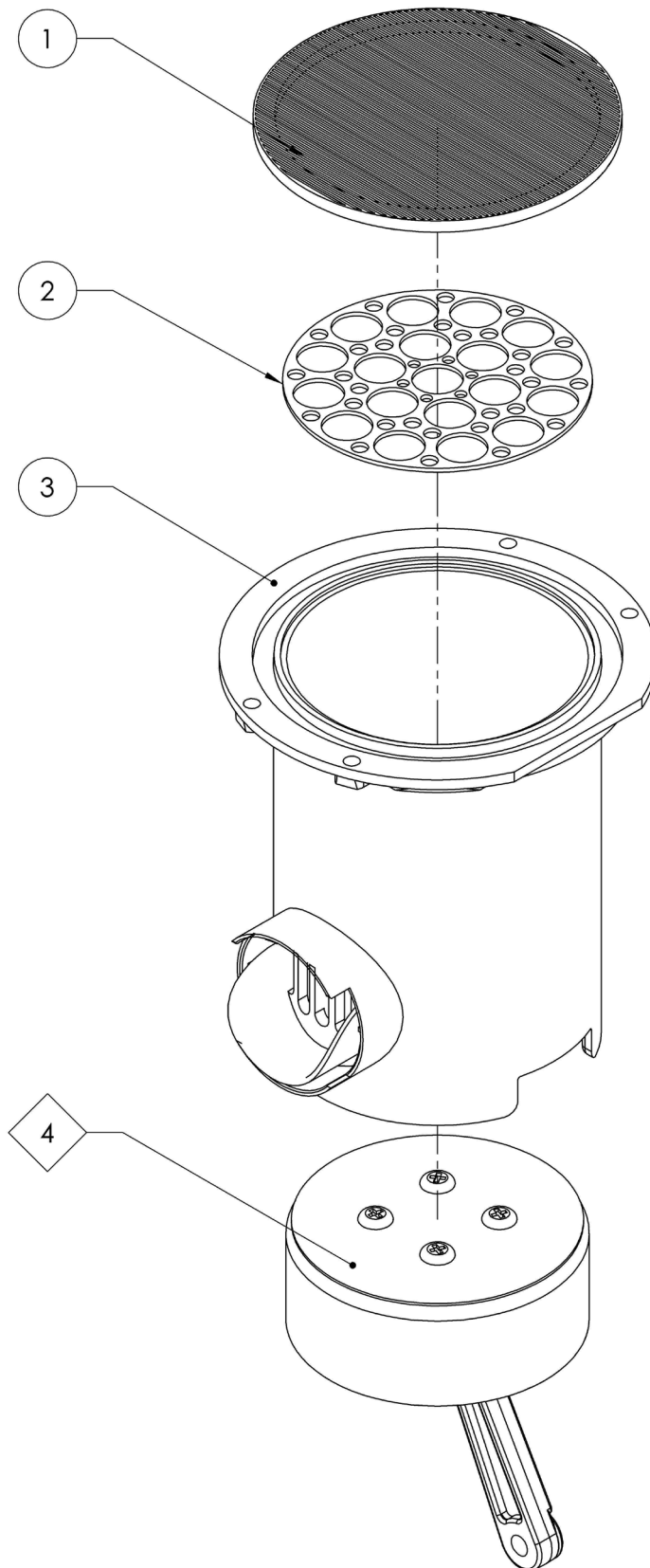




No.	Numéro de pièce	Description	Qté
Cam housing S-A (SBSAS1135)			
1	SBBRE125	Vertical rod	1
2	SBBRE029	Cam box	1
3	98BRE28	Cam follower (Platinum)	1
4	96HAR45	Nylon lock nut 10-32 Hex SS	1
5	96HAR103	Spring pin 1/8 x 7/8 SS	1



Piston & cylinder S-A (06SAS101)

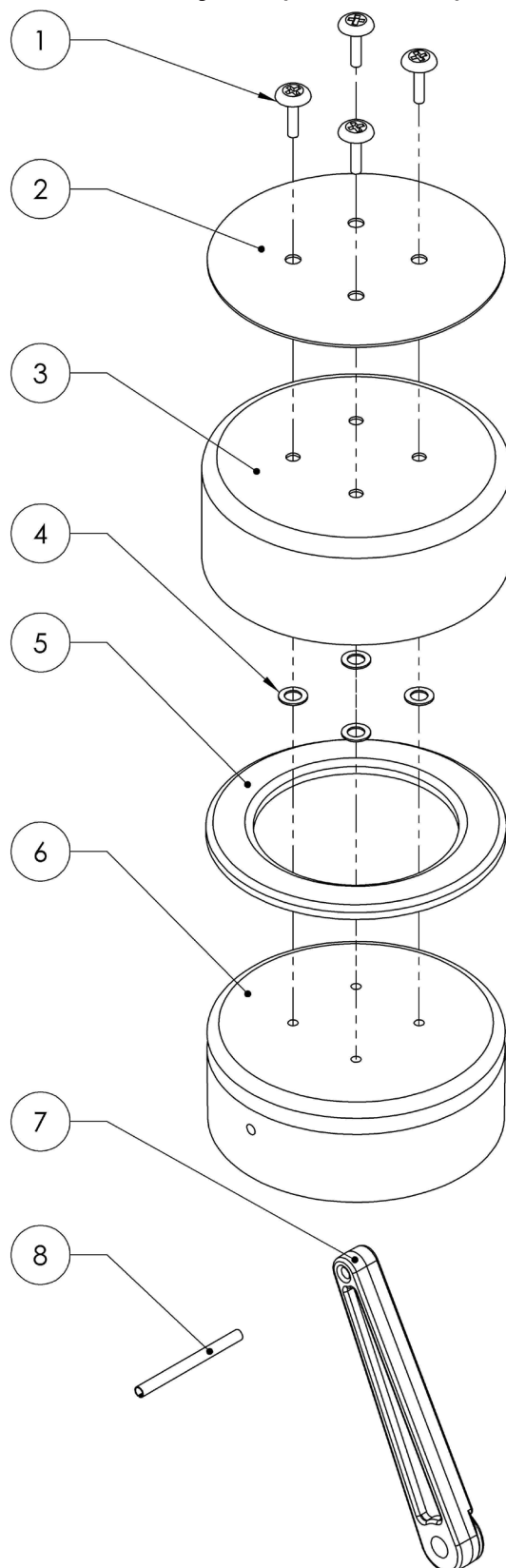




No.	Numéro de pièce	Description	Qté	◇
Piston & cylinder S-A (06SAS101)				
1	99BRE55R	Platinum screen and seal	1	
2	99BRE54R	Platinum screen support	1	
3	99BRE52R	Platinum 9 oz cylinder	1	
4	98SAS137-I	Complete piston 9 oz and rod S-A injecte	1	P.22



Complete piston 9 oz and rod S-A injecte (98SAS137-I)

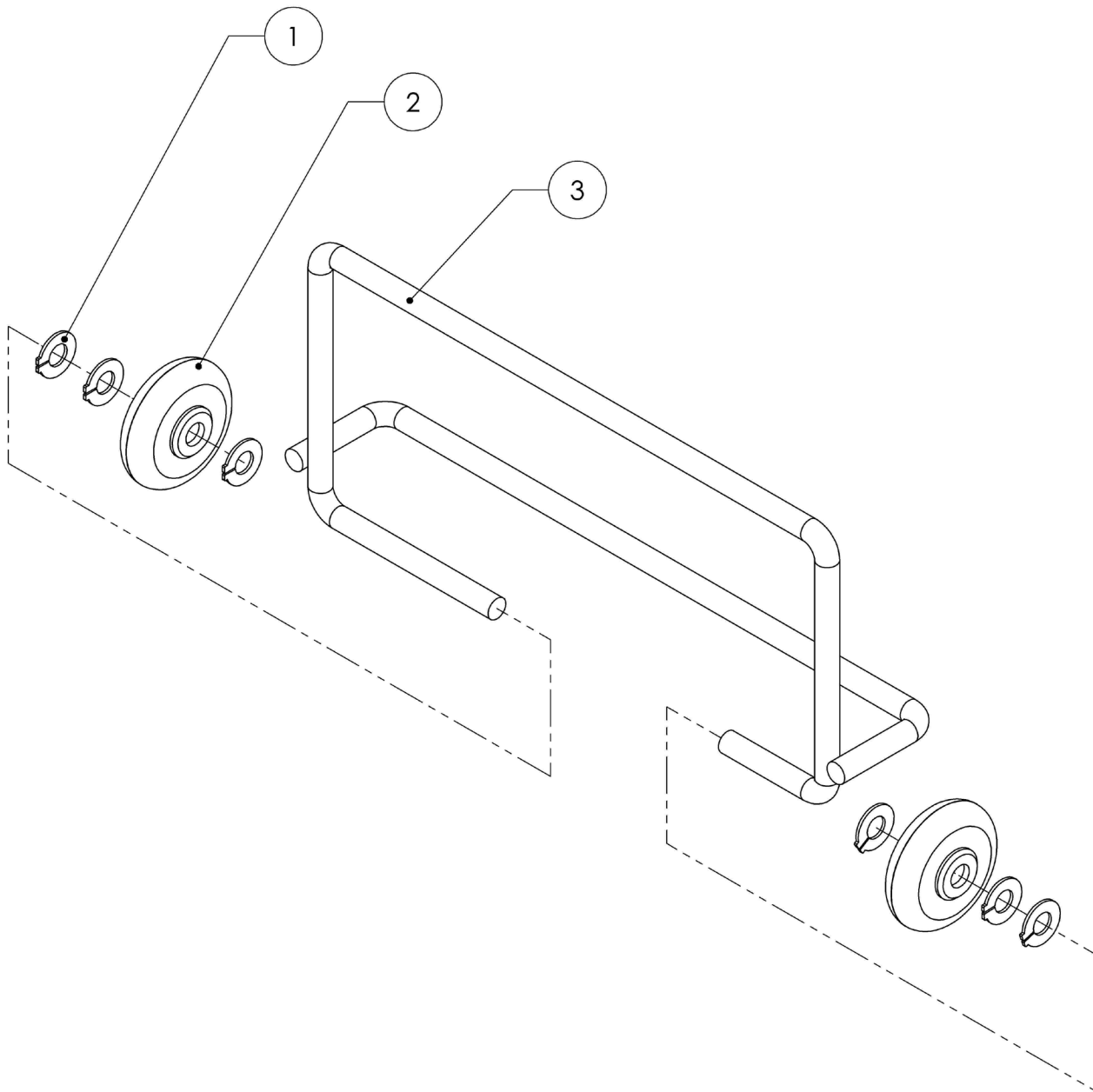




No.	Numéro de pièce	Description	Qté
Complete piston 9 oz and rod S-A injecte (98SAS137-I)			
1	96HAR106	Screw #8 x 1/2 tapped Truss Ph. SS	4
2	98BRE38	Top plate (Platinum)	1
3	98BRE39	Teflon seal	1
4	96HAR107	Viton o'ring .188 x .312 x .062"	4
5	98BRE41	Piston o'ring (Platinum)	1
6	98BRE42-I	Piston 9 oz injected	1
7	98BRE43-I	Piston lever injected	1
8	96HAR40	Coiled spring pin 1/8" x 1 1/2" (SS 420)	1



Yoke S-A (platinum) (06SAS134)

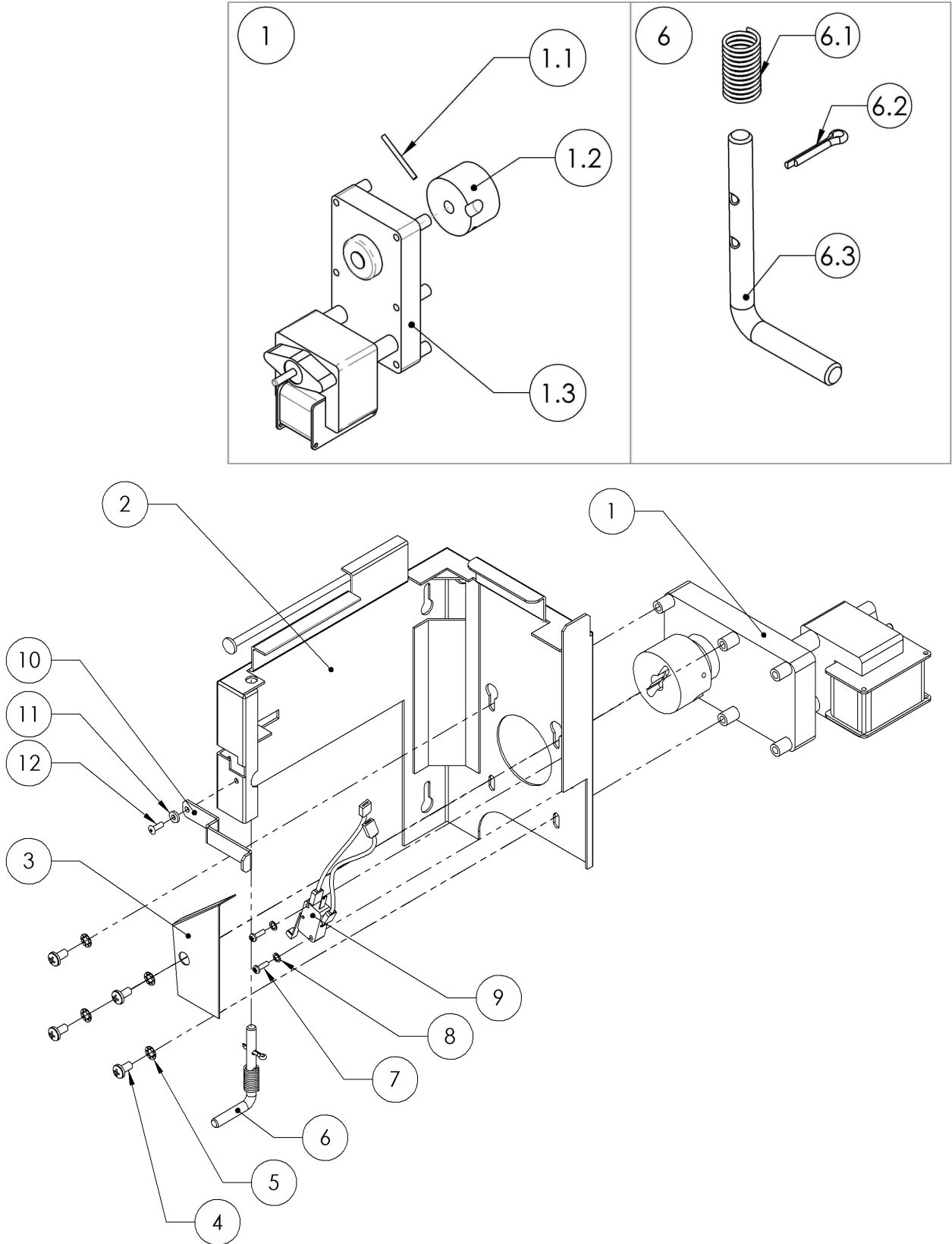




No.	Numéro de pièce	Description	Qté
Yoke S-A (platinum) (06SAS134)			
1	96HAR100	Retaining ring 3/16 (zinc)	6
2	06BRE04	Tape advance wheel	2
3	99BRE02R	Platinum yoke	1



Platinum brewer bracket S-A (PEASS20)

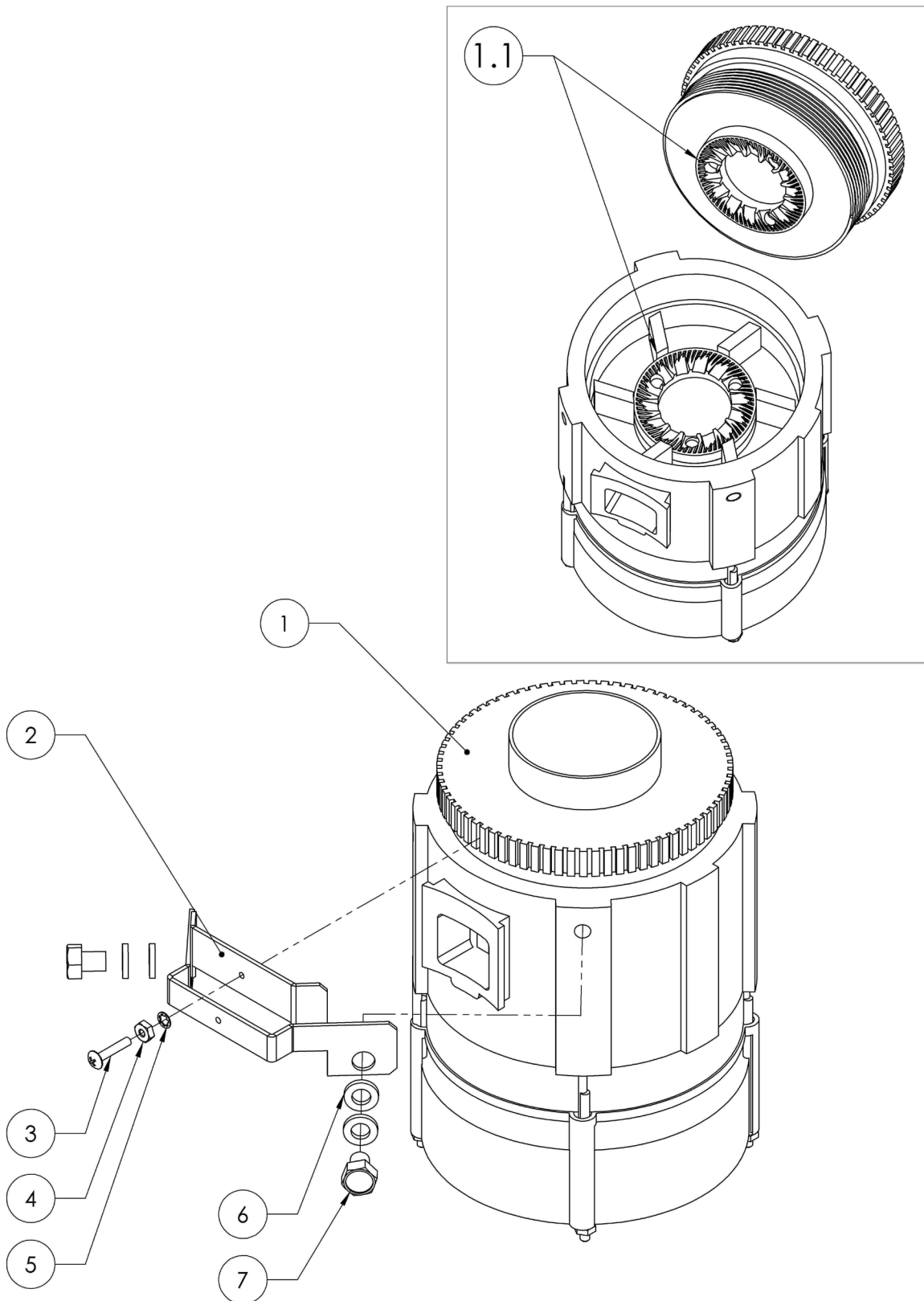




No.	Numéro de pièce	Description	Qté
Platinum brewer bracket S-A (PEASS20)			
1	96ASS22	Brewer motor S-A	1
1.1	96HAR40	Coiled spring pin 1/8" x 1 1/2" (SS 420)	1
1.2	96BRM05	Coupling and spring pin(dog driver) kit	1
1.3	96BRM03	Brewer motor	1
2	PEBRM01	Platinum brewer bracket	1
3	96BRM06	Switch protector	1
4	96HAR56	Screw 10-32 x 3/8" Pan Ph. SS	4
5	96HAR19	Tooth lockwasher #10	4
6	96ASS03	Lock S-A (brewer)	1
6.1	96BRM02A	Latch spring	1
6.2	96HAR116	Cotter pin 3/32 x 1/2" SS	1
6.3	96BRM10	Latch	1
7	96HAR02	Screw 4-40 x 3/4" Pan Ph. SS	2
8	96HAR04	Tooth lockwasher #4	2
9	06ASS03	Cam switch S-A with 2 wires	1



Modified grinder S-A (08ASS05)

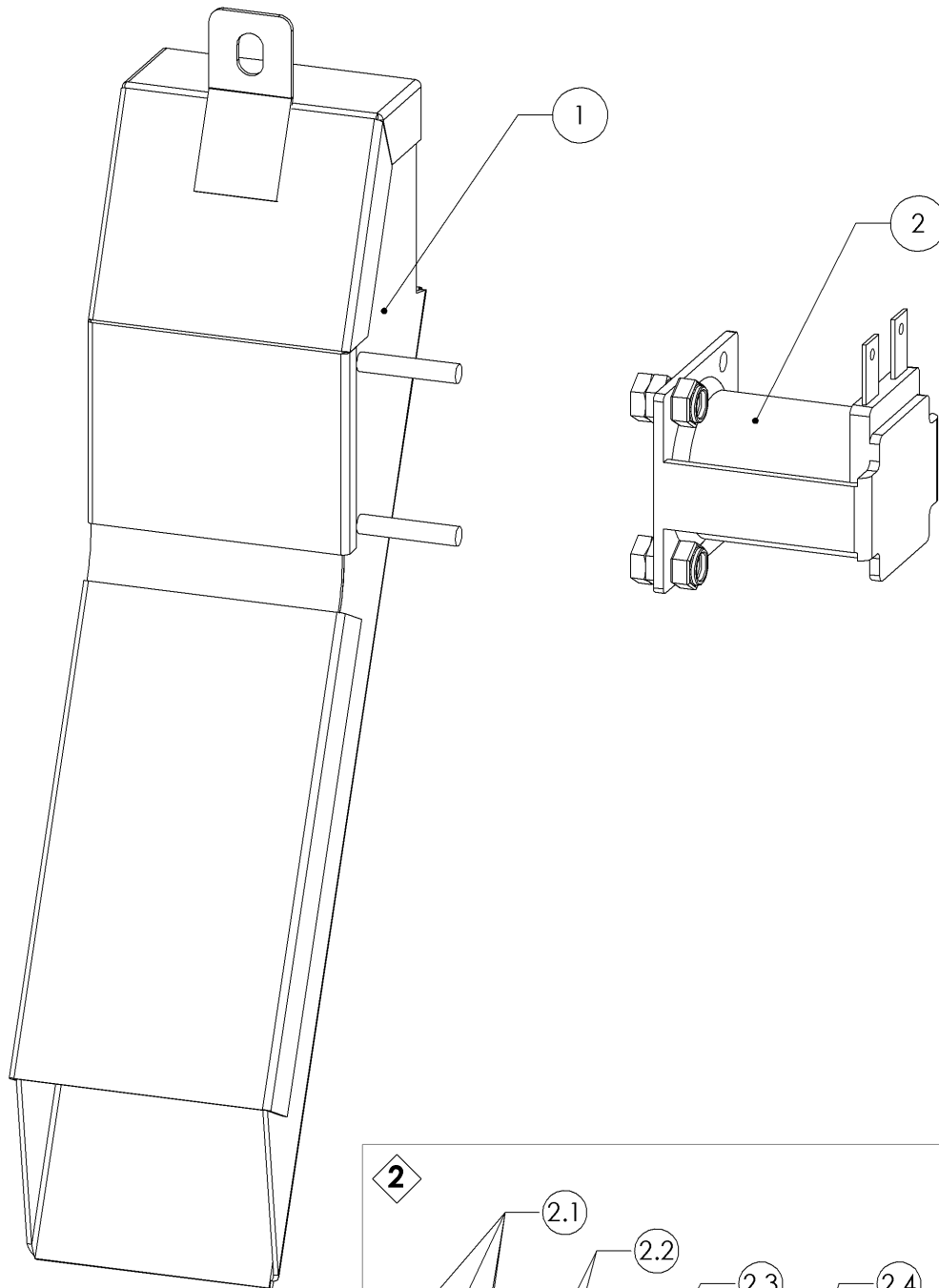




No.	Numéro de pièce	Description	Qté
Modified grinder S-A (08ASS05)			
1	98MOT02M	Short studs modified grinder motor	1
1.1	98MOT04-2	Bean grinder knives (pair)	2
2	07CAB06	Stopper for grinder	1
3	PEHAR07	6-32 x 3/4" Screw Truss Ph. SS	1
4	96HAR09	6-32 Nut Hex SS	1
5	96HAR10	Tooth lockwasher #6	1
6	98HAR03	Spring washer 5/16" x 9/16" SS	4
7	98HAR02	Hexagonal nut 8mm x 1.25 x 10 mm	2



24V solenoide chute S-A (PEASS03-2)

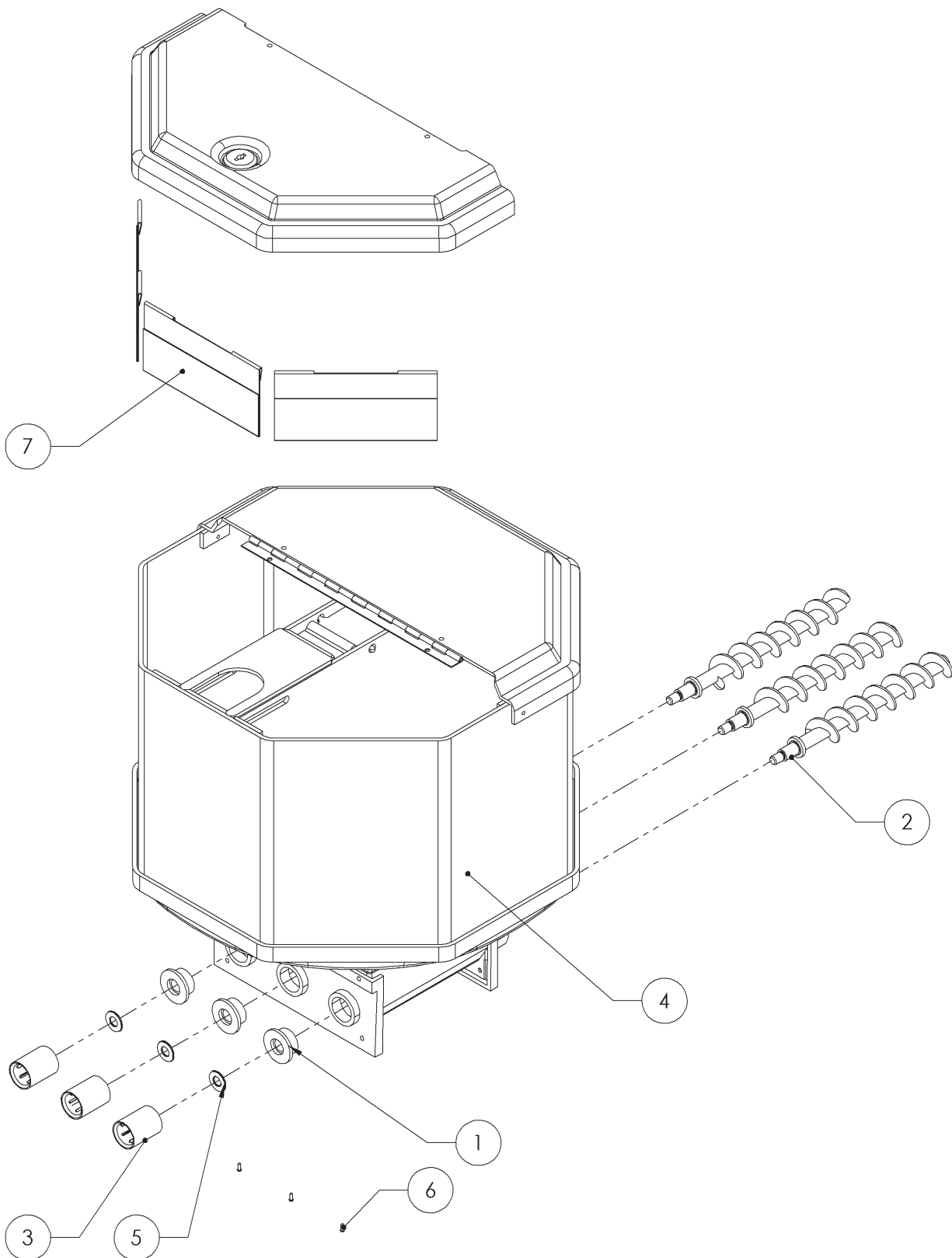




No.	Numéro de pièce	Description	Qté
24V solenoide chute S-A (PEASS03-2)			
1	PECAB59	Coffee chute	1
2	05ACC03	24V DC solenoide kit	1
2.1	96HAR09	6-32 Nut Hex SS	4
2.2	96HAR44	Nylon lock nut 6-32	2
2.3	PETAN15	Plunger DSV11C DC	1
2.4	96TAN40	Spring plunger DSV11 8 OZ	1
2.5	PETAN14	Solenoid DSV11C DC 24V 11W	1



Canister for coffee 3 beans S-A (PEASS26)

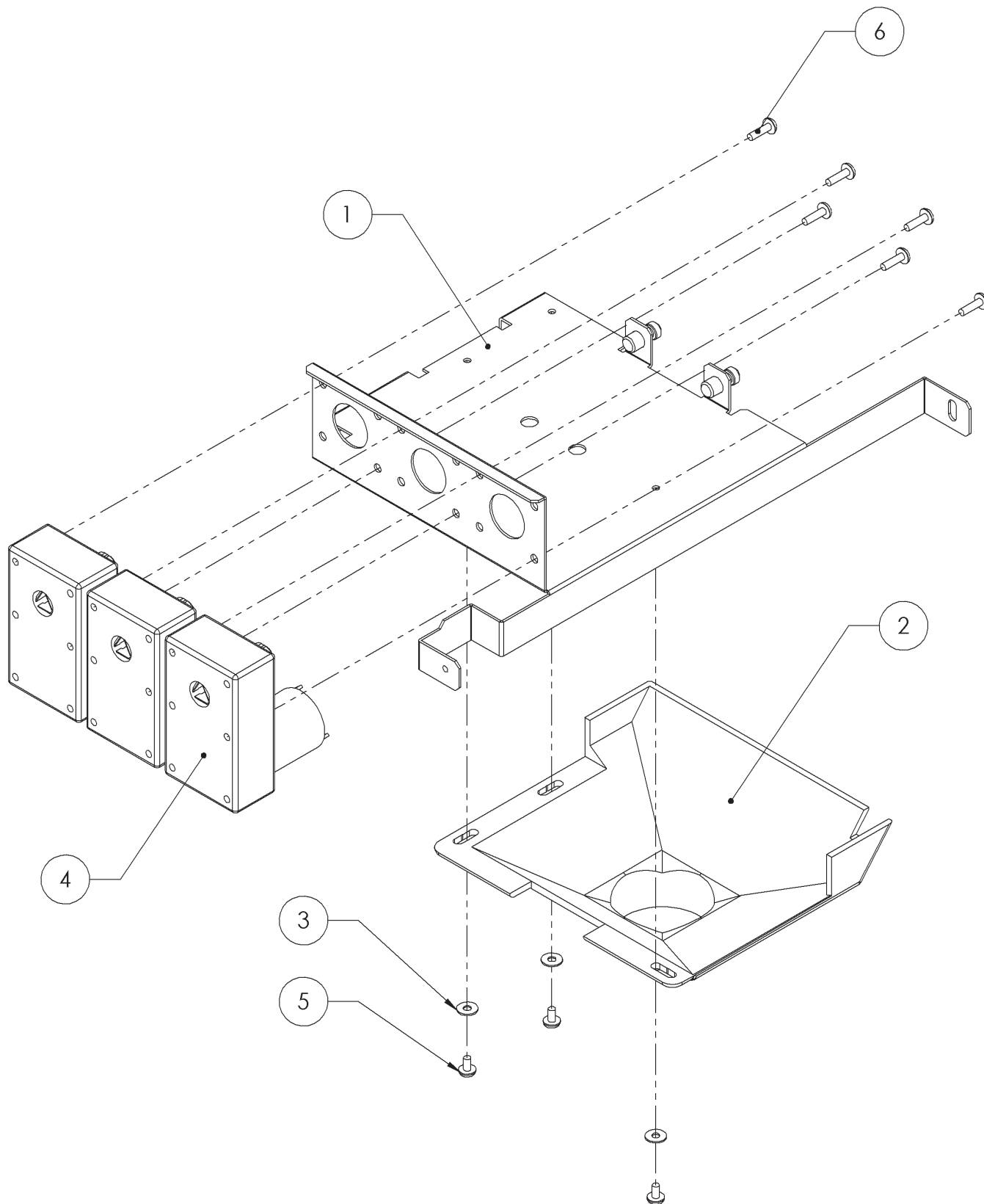




No.	Numéro de pièce	Description	Qté
Canister for coffee 3 beans S-A (PEASS26)			
1	03CAN105	Whole bean hopper bushing	3
2	03CAN02C	Auger assembly 166mm long	3
3	03CAN03	Plastic auger coupling	3
4	04CAN01	3 beans canister's	1
5	96HAR42	Flat washer .285 x .625 x .045 SS	3
6	07HAR02	Vis fausse type "U" 3/16" Rond	3
7	04ACC01	Identification stickers stand for 3b	3



3 beans shelf S-A Avalon (PEASS01-2)

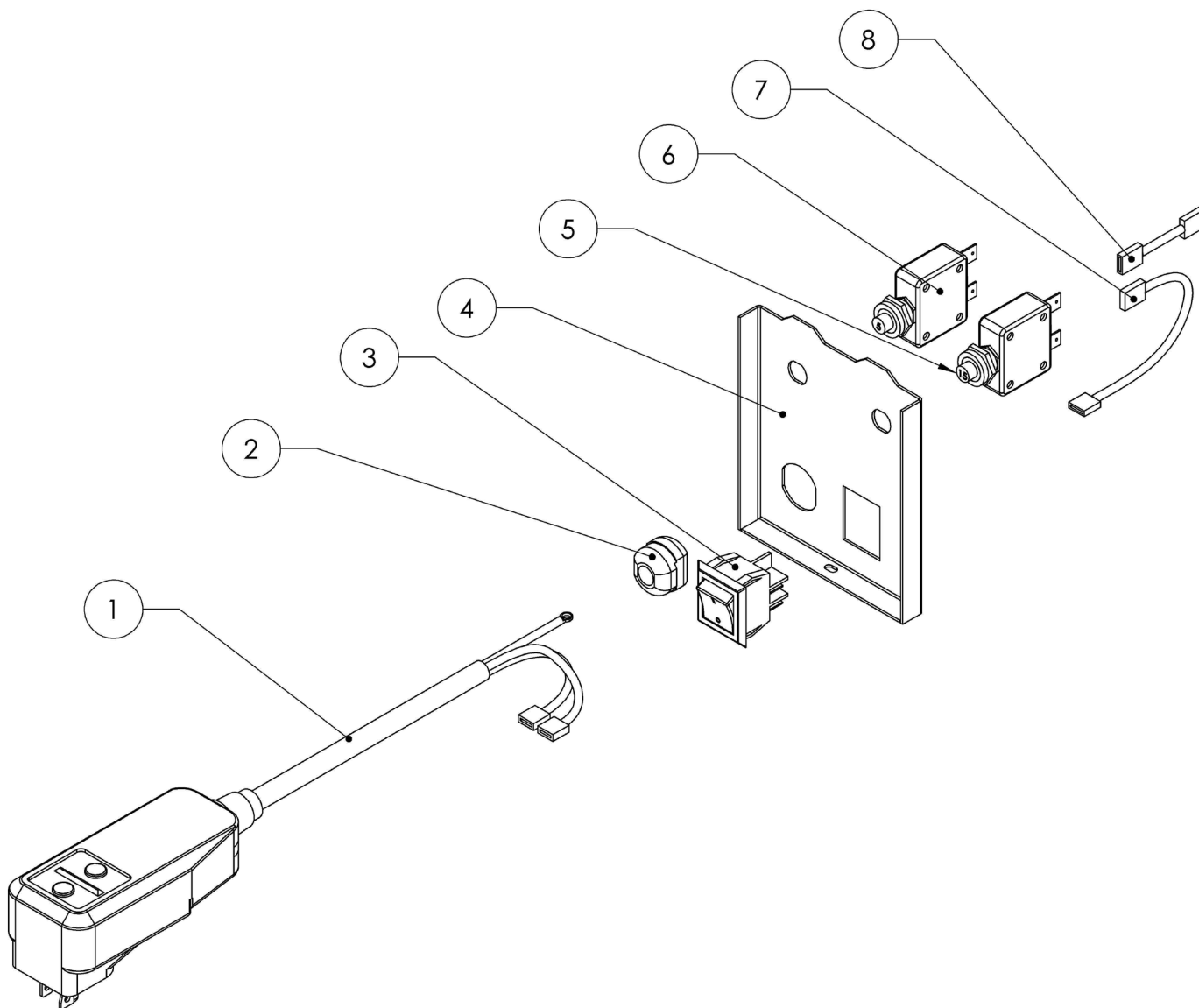




No.	Numéro de pièce	Description	Qté
3 beans shelf S-A Avalon (PEASS01-2)			
1	PECAB58	La Petite 3 beans shelf	1
2	PECAN22	La Petite beans plastic chute	1
3	96HAR73	Flat washer .150 x .375 x .032 #6 SS	3
4	04MOT01	24V Ingredient motor	3
5	96HAR05	6-32 x 1/4" Truss Ph SS	3
6	96HAR07	Screw 6-32 x 1/2" Truss Ph SS	6



GFCI electric panel S-A (PEASS45-2)

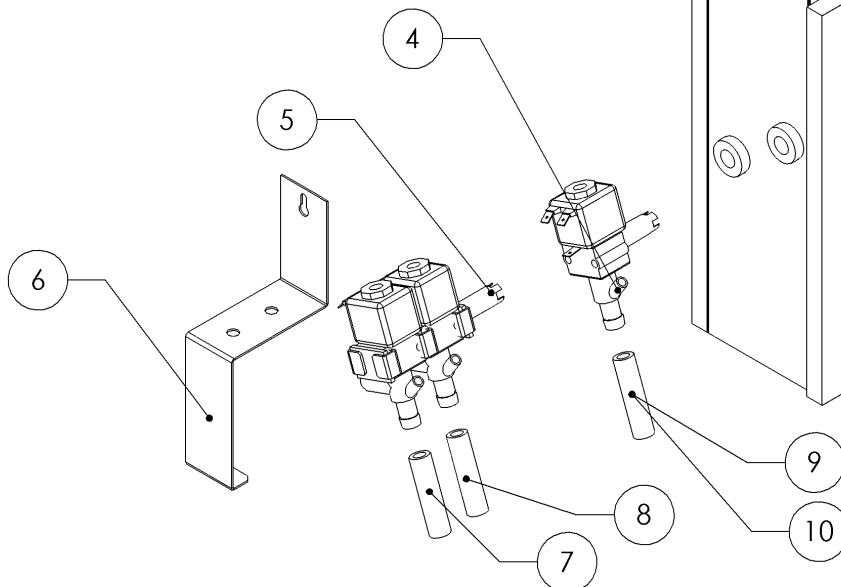
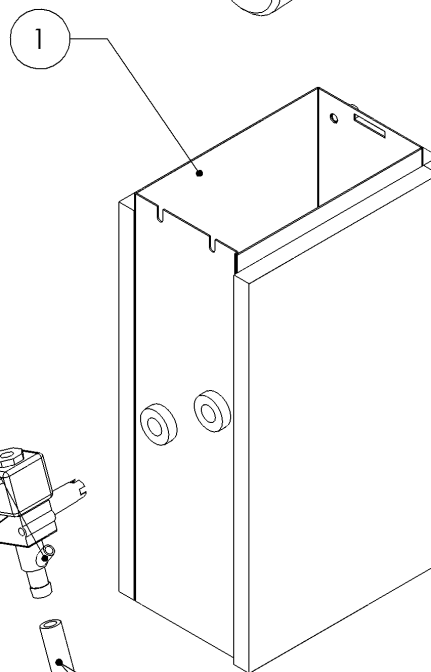
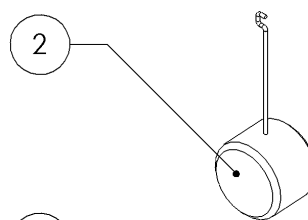
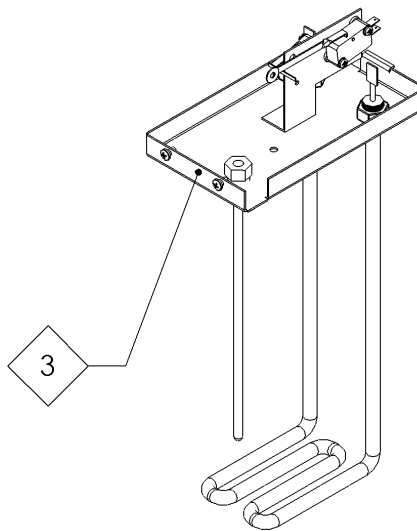
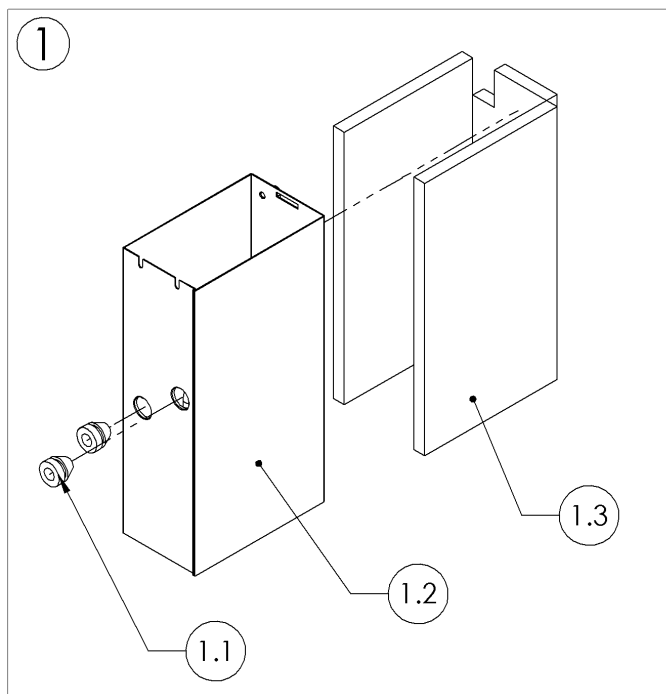




No.	Numéro de pièce	Description	Qté
GFCI electric pannel S-A (PEASS45-2)			
1	07ELC01	Power cable	1
2	03HAR32	Strain relief bushing (black) for power	1
3	96ELC07	On/Off switch	1
4	PECAB02-2	Box electric door	1
5	96ELC13	Breaker 15 amp	1
6	96ELC14	Breaker 5 amp	1
7	03ELC23-A	#30 wire 14ga black 4"	1
8	03ELC23-B	#31 wire 14ga black 4"	1



Water tank S-A (PEASS16-X/R)



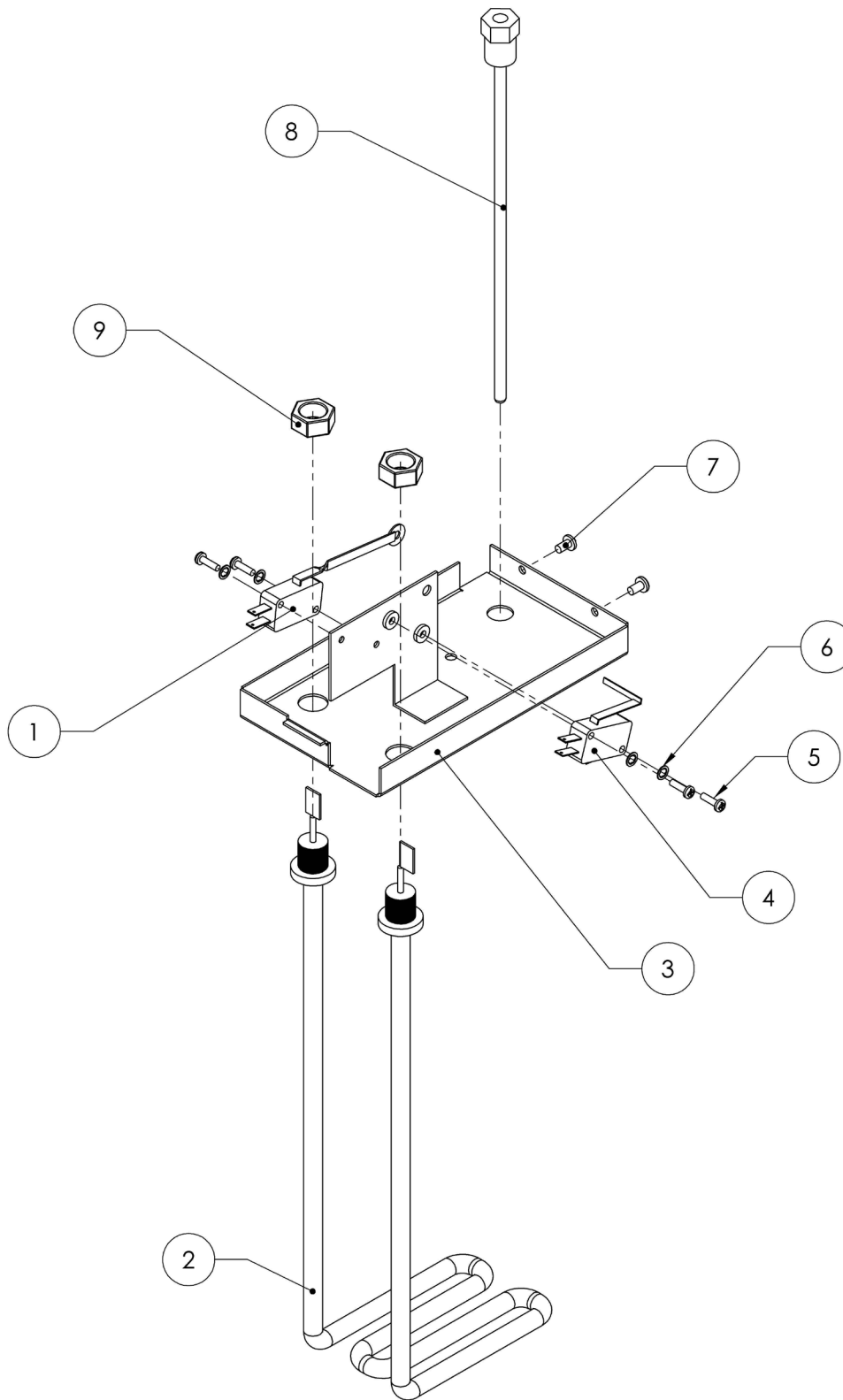


No.	Numéro de pièce	Description	Qté	◇
Water tank S-A (PEASS16-X/R)				
1	07ASS08	3 sides isolated tank S-A	1	
1.1	PETAN05	Conical mounting seal "8" for valve DN8	2	
1.2	08TAN03	3 sides insulant	1	
1.3	08TAN04	Hot water tank with diffuser	1	
2	96ASS15	Hot water tank float S-A	1	
3	09ASS18	Improved water tank lid S-A	1	P.40
4	PETAN07A	Single outlet valve	1	
5	PETAN07B	Double outlet valve	1	
6	PECAB25	Valve support	1	
7	PETAN28	Hose 28"	1	
8	PETAN11	Outlet water chocolat/vanill hose 12" 1/2	1	
9	PETAN37	Small brown hose coffee 15"	1	

Petit-R				
10	PETAN33	Small brown coffee hose 13"	1	



Improved water tank lid S-A (09ASS18)

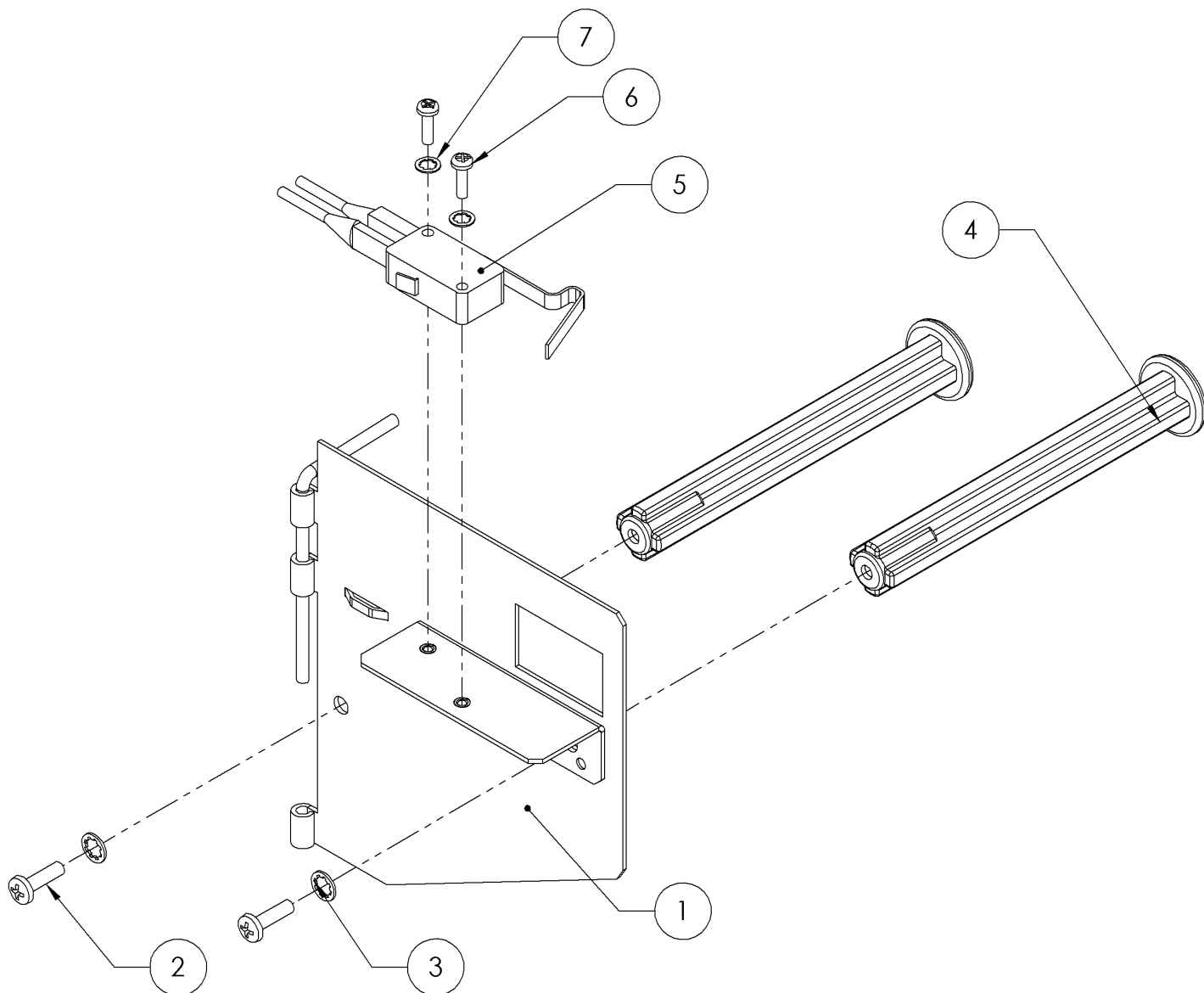




No.	Numéro de pièce	Description	Qté
Improved water tank lid S-A (09ASS18)			
1	96ASS09	Water level switch S-A	1
2	PETAN03	Element 1250w short	1
3	09TAN02	Short hot water tank lid	1
4	96ELC06	Heater safety switch S-A	1
5	96HAR01	Screw 4-40 x 5/8" Pan Ph. SS	4
6	96HAR04	Tooth lockwasher #4	4
7	SBHAR51	Screw 6-32 x 1/4" Pan Ph SS	2
8	03ASS01	Probe and connector S-A	1
9	96TAN05	Nut 1/2"-20 SS Thin	2



Switch paper bracket S-A (PEASS02-3)

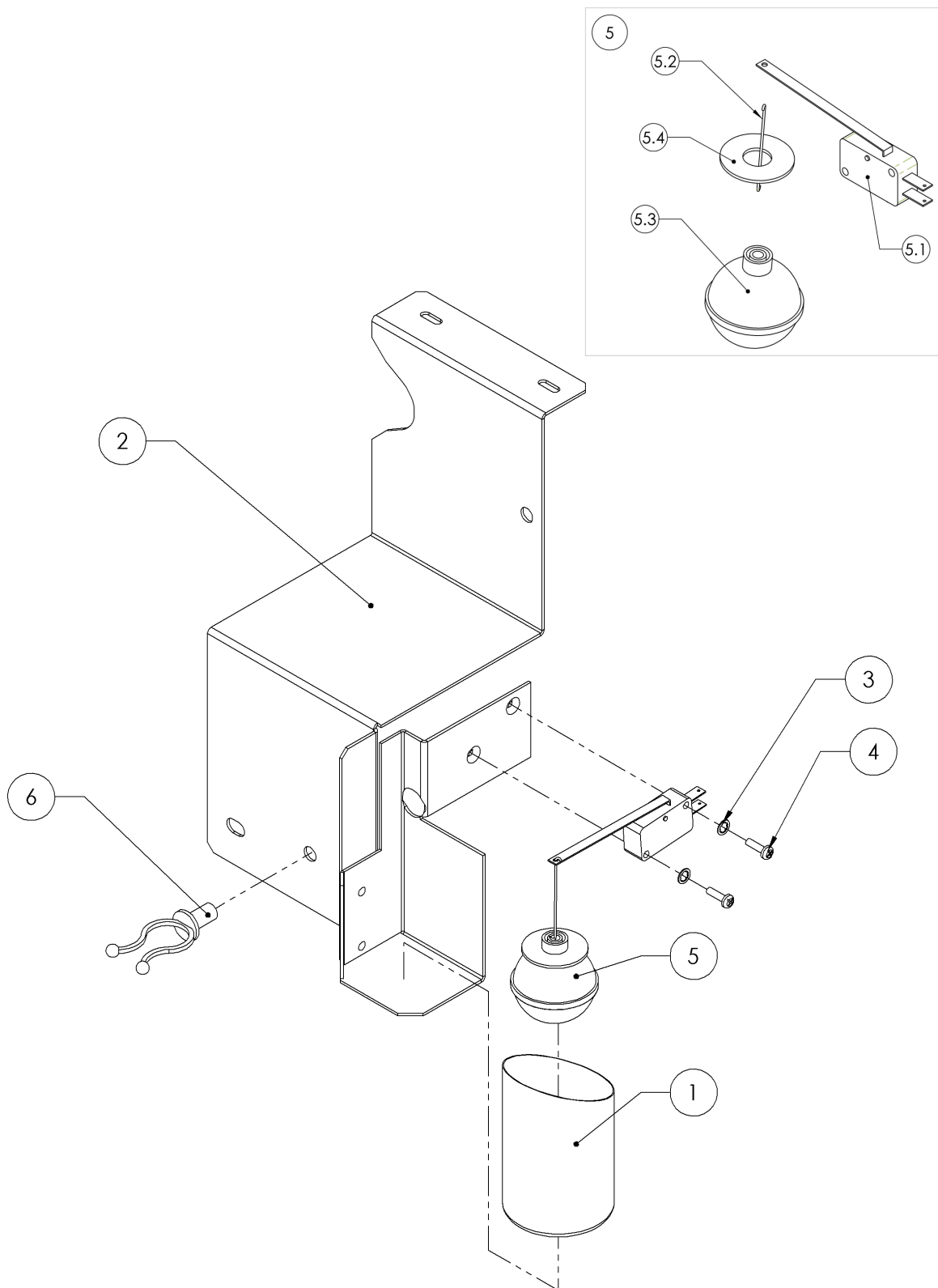




No.	Numéro de pièce	Description	Qté
Switch paper bracket S-A (PEASS02-3)			
1	05CAB04	Bracket paper filter	1
2	03HAR04	Screw #10 x 1/2" Pan Ph. High-Low zinc	2
3	05HAR04	Lockwasher internal ring #8 SS	2
4	03CAB06	Injected filter paper rod	2
5	09ASS04	Paper switch + wires S-A	1
6	96HAR01	Screw 4-40 x 5/8" Pan Ph. SS	2
7	96HAR04	Tooth lockwasher #4	2



Overflow support & motor's protection S-A (PEASS46-2)

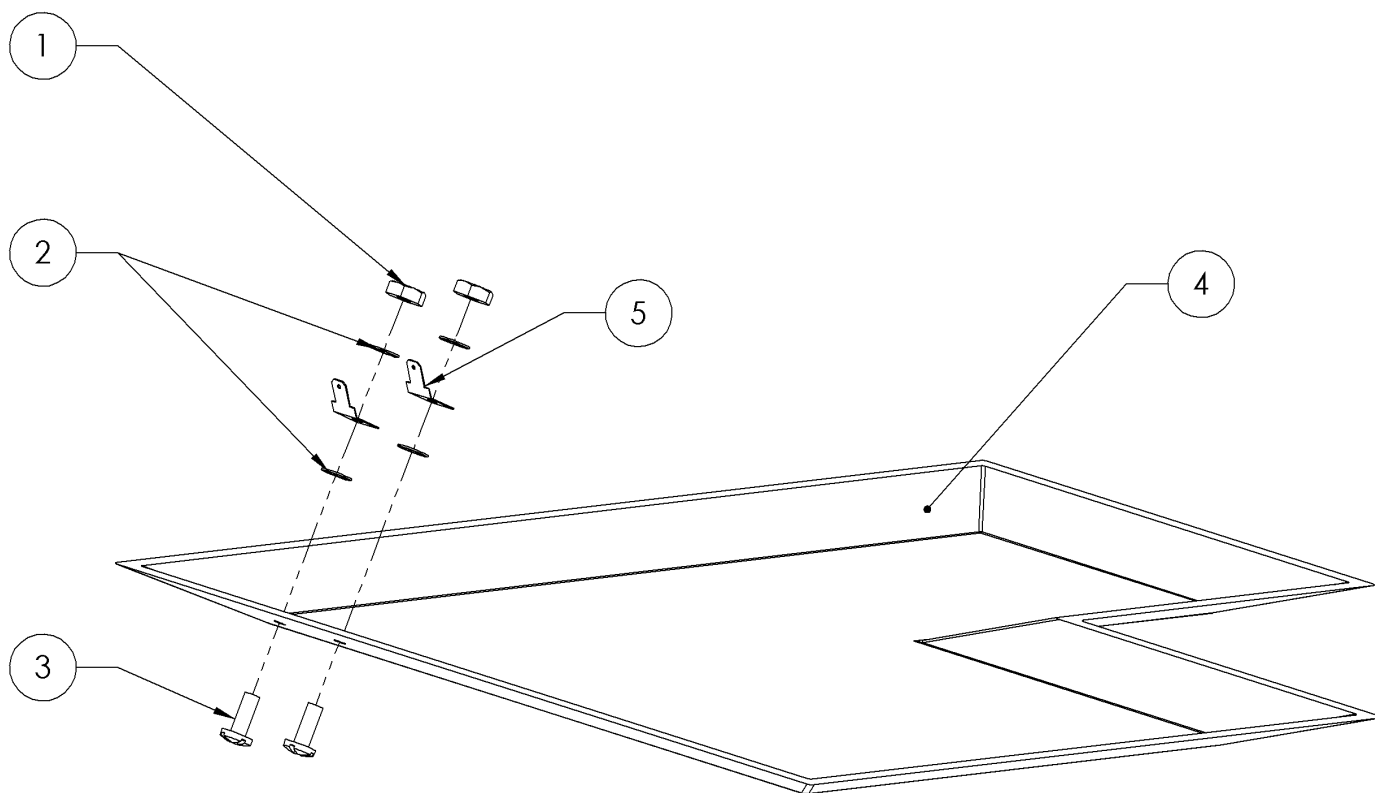




No.	Numéro de pièce	Description	Qté
Overflow support & motor's protection S-A (PEASS46-2)			
1	96TAN19	Overflow cup	1
2	PECAB06-2	Overflow braket + motor's protection	1
3	96HAR04	Tooth lockwasher #4	2
4	96HAR01	Screw 4-40 x 5/8" Pan Ph. SS	2
5	96ASS17	Overflow float S-A	1
5.1	96ELC04	Overflow safety switch S-A	1
5.2	96TAN20	Float hook stainless rod	1
5.3	96TAN18	Small float	1
5.4	96HAR104	Flat washer .390 x 1.00 x .047 SS	1
6	96HAR27	Decklips	1



Overflow tray S-A (PEASS30)



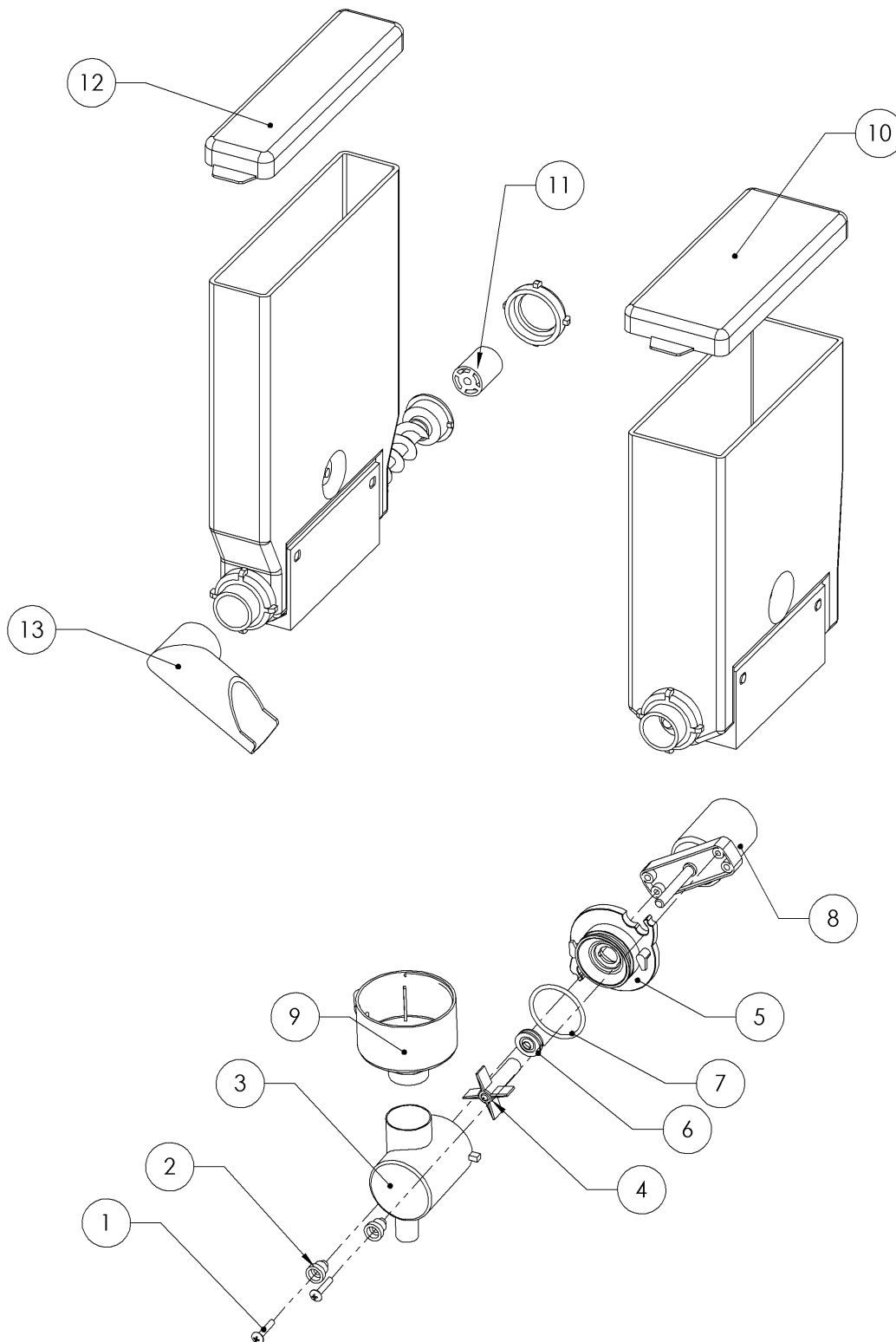


No.	Numéro de pièce	Description	Qté
Overflow tray S-A (PEASS30)			
1	96HAR09	6-32 Nut Hex SS	2
2	96HAR10	Tooth lockwasher #6	4
3	96HAR05	6-32 x 1/4" Truss Ph. SS	2
4	PECAB24	Overflow drip tray	1
5	96HAR77	Quick fit rivet 45 degrees	2



Canisters (PECAN09C & PECAN01C)

Wipper assembly

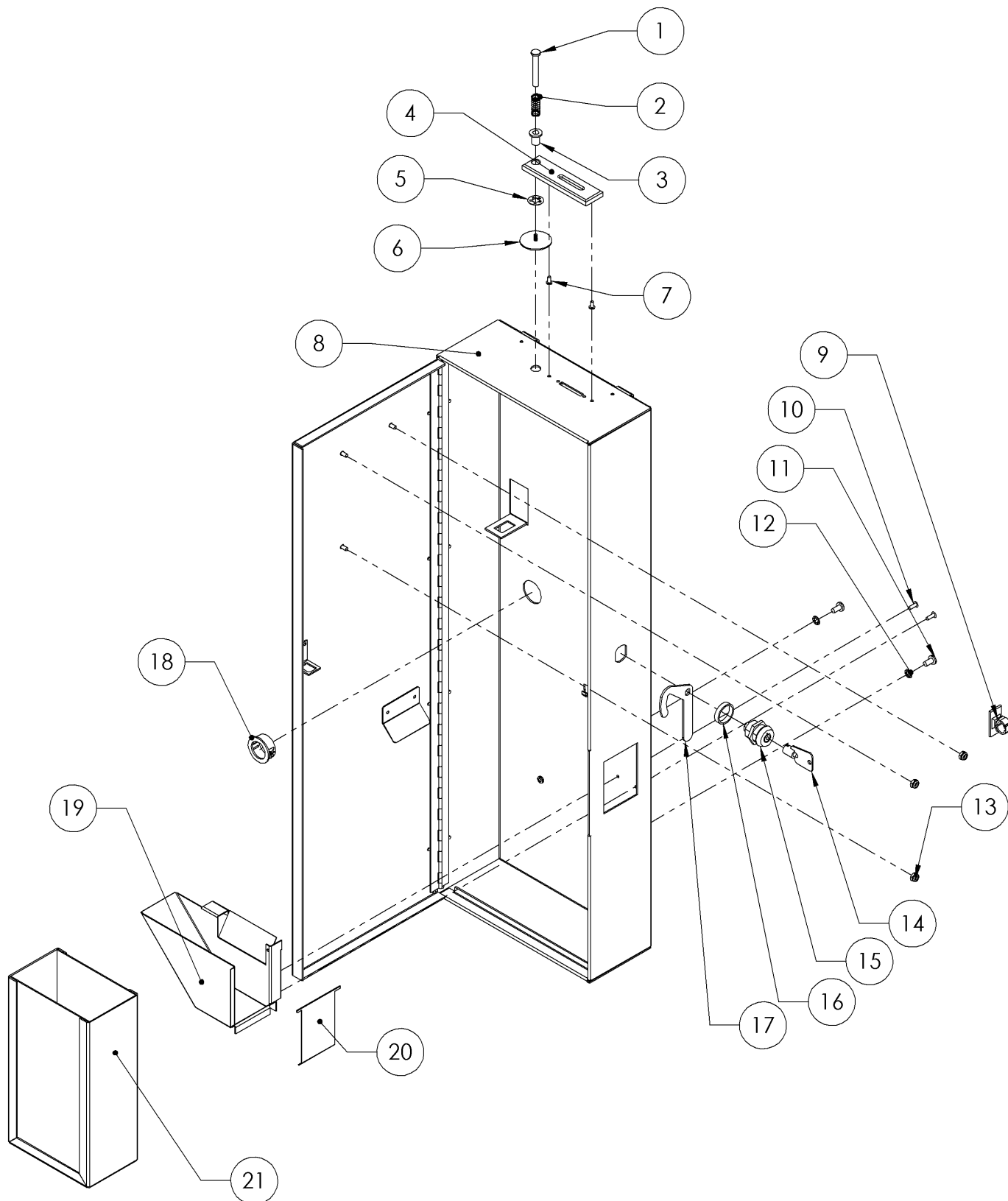




No.	Numéro de pièce	Description	Qté
Canister (PECAN09C & PECAN01C)			
Whipper assembly			
1	PEHAR07	6-32 x 3/4" Screw Truss Ph. SS	2
2	03CHO07	Pillar whipper base	2
3	03CHO04	Whipping chamber	1
4	03CHO02	Whipper impeller	1
5	03CHO01	Whipper base S-A	1
6	03CHO06	Blender base seal	1
7	03CHO09	Black blender base seal	1
8	PECHO05	24V whipping motor with amp plug	1
9	03CHO03	Inlet water funnel 6mm	1
10	PECAN03	67 x 164 mm canister lid	1
11	03CAN03	Plastic auger coupling	2
12	PECAN05	42 x 180 mm canister lid	1
13	PECAN11	Elbow 38 x 70 mm right	1



Coin box kit La Petite S-A (PEASS04-2)

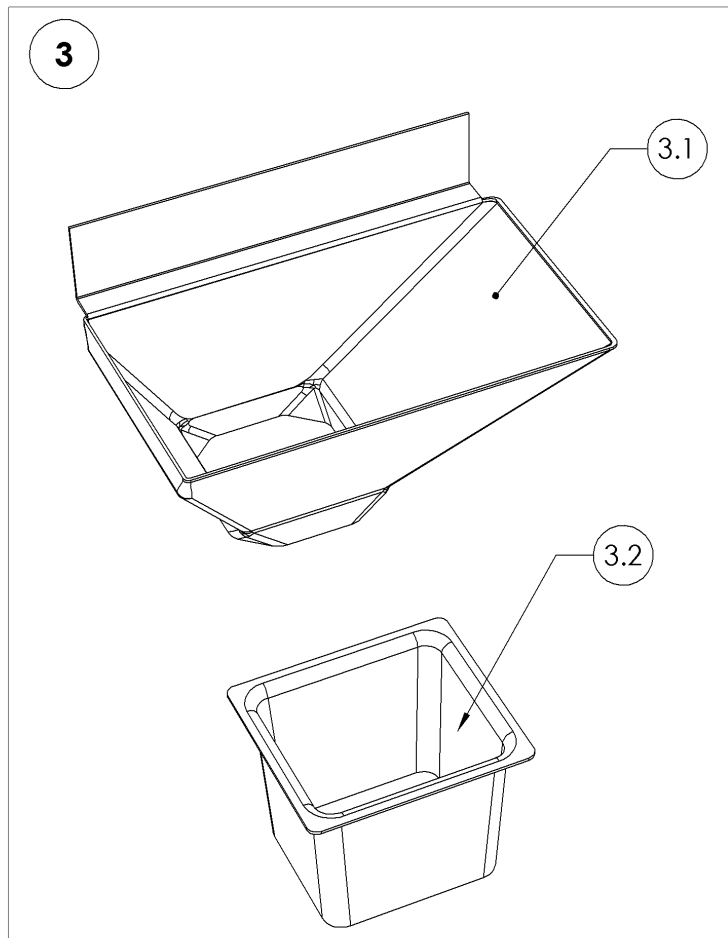
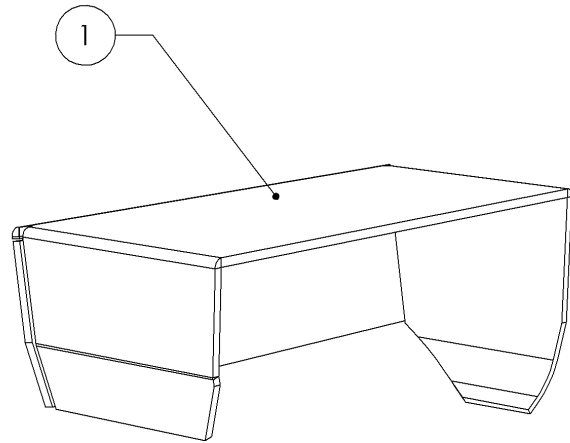
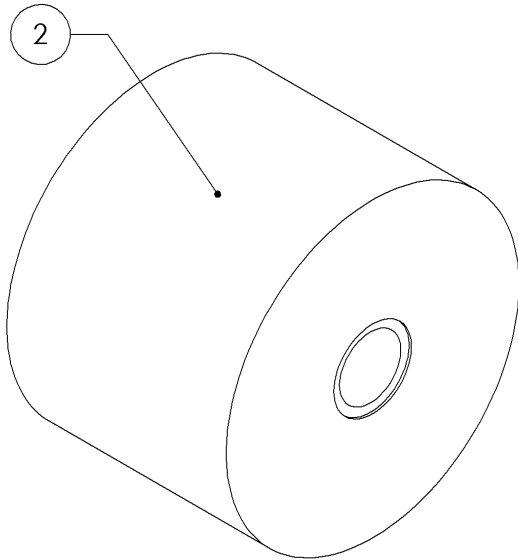




No.	Numéro de pièce	Description	Qté
Coin box kit La Petite S-A (PEASS04-2)			
1	96DOR18	Coin reject pin	1
2	PECAB36	Coin return la petite spring	1
3	99HAR13	Shoulder washer for slot money	1
4	PECAB27	Coin insert la petite	1
5	96HAR38	5/16" ID pushnut	1
6	96DOR19	Coin reject plate kit	1
7	96HAR74	Screw # 4 x 1/4" Pan PH SS	2
8	PECAB18	Change kit box	1
9	96DOR22	Plastic hook	1
10	96HAR33	1/8" x 3/8" ss rivet	2
11	96HAR56	Screw 10-32 x 3/8" Pan PH SS	2
12	96HAR19	Tooth lockwasher #10 (internal)	2
13	96HAR44	Nylon lock nut 6-32	3
14	96DOR31	Interior door key (#8601)	1
15	PEDOR08	Lock coin box assy kit la petite #8601	1
16	05DOR08	Lock spacer 5 mm	1
17	07CAB02	Double action latch	1
18	96HAR31	Snap bushing 1" with hole	1
19	PECAB20	Coin cup return	1
20	96DOR14	Coin return door	1
21	PECAB22	Change box	1



Accessories





No.	Numéro de pièce	Description	Qté
1	08CAB05	Protector beans's funnel	1
2	99CAB29R	Avalon filter paper roll 106 platinum	1
3	05ACC04	Chute kit	1
3.1	PECAB16	Chute La Petite	1
3.2	PECAB17	Square chute	1



Hardware

Numéro de pièce	Description
03HAR04	screw #10 x 1/2" pan ph high-low zinc
03HAR30	drain hose plug (1/4 i.d.)
03HAR32	strain relief bushing (black) for power
05HAR04	lockwasher internal ring #8 ss
06HAR02	nylon washer .140 x .312 x .062
06HAR09	nylon hose clamp (ho 08)
06HAR116	spring washer #6 ss
07HAR10	threaded anti-vibration mount
08HAR02	screw 6-32 x 1" truss ph ss
08HAR17	6-32 x 3/16" pan ph ss screw
96DOR19-A	coin reject plate washer
96DOR19-B	machine screw 6-32 x 1/4" ph ss
96HAR01	screw 4-40 x 5/8" pan ph ss
96HAR04	tooth lockwasher #4 (internal)
96HAR05	6-32 x 1/4" truss ph ss
96HAR06	screw 6-32 x 3/8 long-truss ph. ss
96HAR07	screw 6-32 x 1/2" truss ph ss
96HAR09	6-32 nut hex stainless
96HAR10	tooth lockwasher #6 (internal)
96HAR100	retaining ring 3/16 (zinc)
96HAR101	screw 8-32 x 3/8" round ph ss
96HAR102	hex 10-24 locknut nylon insert & ss
96HAR103	spring pin 1/8 x 7/8 ss
96HAR104	flat washer .390 x 1.00 x .047 ss
96HAR105	large bushing
96HAR106	screw #8 x 1/2 tapped truss ph ss
96HAR107	viton o'ring .188 x .312 x .062"
96HAR108	flat washer .203 x .437 x .032 ss
96HAR11	screw,8-32 x 3/8" truss ph ss
96HAR110	spring pin 3/16 x 1 1/4 ss
96HAR111	taper pin #4/0 x 3/4 ss
96HAR113	spring pin 3/32 x 5/8
96HAR114	screw 6-32 x 5/8" pan ph ss
96HAR116	cotter pin 3/32 x 1/2" ss
96HAR117	main frame small bushing



96HAR124	flat washer #8 .170 x .375 x .032 ss
96HAR125	flat washer .265 x .500 x .030 ss
96HAR126	screw 8-32 x 5/16" pan ph ss
96HAR13	hexagonal nut 8-32 ss
96HAR15	tooth lockwasher #8 (externe)
96HAR164	shoulder washer (# 121c)
96HAR19	tooth lockwasher #10 (internal)
96HAR26	nylon hose clamp 2323 (white)
96HAR27	decklips
96HAR28	fixation posts 6-32 x 1/4" long
96HAR29	fixation posts 6-32 x 1" long
96HAR31	snap bushing 1" with hole
96HAR33	1/8" x 3/8" ss rivet
96HAR35	rubber plug bumper button type (door)
96HAR38	5/16" id pushnut
96HAR40	coiled spring pin 1/8" x 1 1/2" ss 420
96HAR44	nylon lock nut 6-32
96HAR45	nylon lock nut 10-32 hex ss
96HAR49	screw 8-32 x 1/2" truss ph ss
96HAR56	screw 10-32 x 3/8" pan ph ss
96HAR58	mta-100 type terminal amp 640440-2 red
96HAR73	flat washer .150 x .375 x .032 #6 ss
96HAR74	screw # 4 x 1/4" pan ph ss
96HAR77	quick fit rivet 45 degrees
98HAR02	hexagonal nut 8mm x 1.25 x 10 mm
98HAR03	spring washer 5/16" x 9/16" ss
98HAR86	nut 4mm 0.70 zinc gr: 8.8
99HAR13	shoulder washer for slot money
PEHAR01	thread-rolling screw 6-32 x 1/4 pan ph z
PEHAR02	thread rolling screw 8-32 x 3/8 pan ph z
PEHAR06	screw 6-32 x 3/16 ss pan hd ph tooth loc
PEHAR07	6-32 x 3/4" truss ph ss
PEHAR12	rubber grommet 1/2 x 13/16 x 5/16
PEHAR15	thread roll screw ph pan zinc 6-32 x 3/8
SBHAR121	slotted spring pin 1/8" x 3/8" ss
SBHAR51	screw 6-32 x 1/4" pan ph ss



10BRE02	shoulder screw
10BRE01	uhmw flat washer .380 x .750 x .130
10HAR05	mini amp male connector 26-22 ga
10HAR01	3/8" stainless hose clamp
05DOR08	lock spacer 5 mm
98HAR07	screw # 8 x 3/8" pan ph ss
96TAN05	Nut 1/2"-20 SS thin
05HAR07	Machine screw 6-32 x 1/2" Ph. SS
06HAR03	6-32 x 3/8" screw washer face thumb
07HAR02	Vis fausse type "u" 3/16" Ronde SS



Tubing

Numéro de pièce	Bulk tube #	Description	Longueur
06TAN02	96VRA09	Hose 3/4" spacer S-A	3/4"
99TAN08	96VRA09	Hose 11 1/4"	11 1/4"
PETAN32	96VRA09	Garbage hose (cap 1/4) 30"	30"
PETAN34	96VRA09	Hot water hose 27"	27"
04TAN10	96VRA09	Outlet water chocolate hose 12 1/8"	12 1/8"
05TAN33	96VRA11	Brown coffee hose 14 3/4 "	14 3/4"
05TAN08	96VRA10	Inlet clear water hose (cross) 17 1/2 "	17 1/2"
05TAN10	96VRA09	S-A hose 13"	13"
05TAN13	96VRA12	Overflow hose (clear pvc) 22 "	22"
05TAN35	96VRA09	S-A hose 16"	16"
UGCAB07	05VRA01	S-A cage fan-y flexible hose 15 3/4	15 3/4"
UGCAB08	05VRA01	S-A y-cages flexible hose 11"	11"
UGTAN10	96VRA09	Soluble #1 outlet hose 15"	15"
UGTAN24	96VRA09	Inlet soluble hose 9"	9"
05TAN02	96VRA11	Ventilation drain hose 17"	17"
06TAN01	96VRA09	Element protector (shipping) 1 1/4"	1 1/4"

Tubing available in bulk

Numéro de pièce	Longueur
96VRA09	100'
96VRA10	100'
96VRA12	100'
05VRA01	164'