

PARTS BOOK



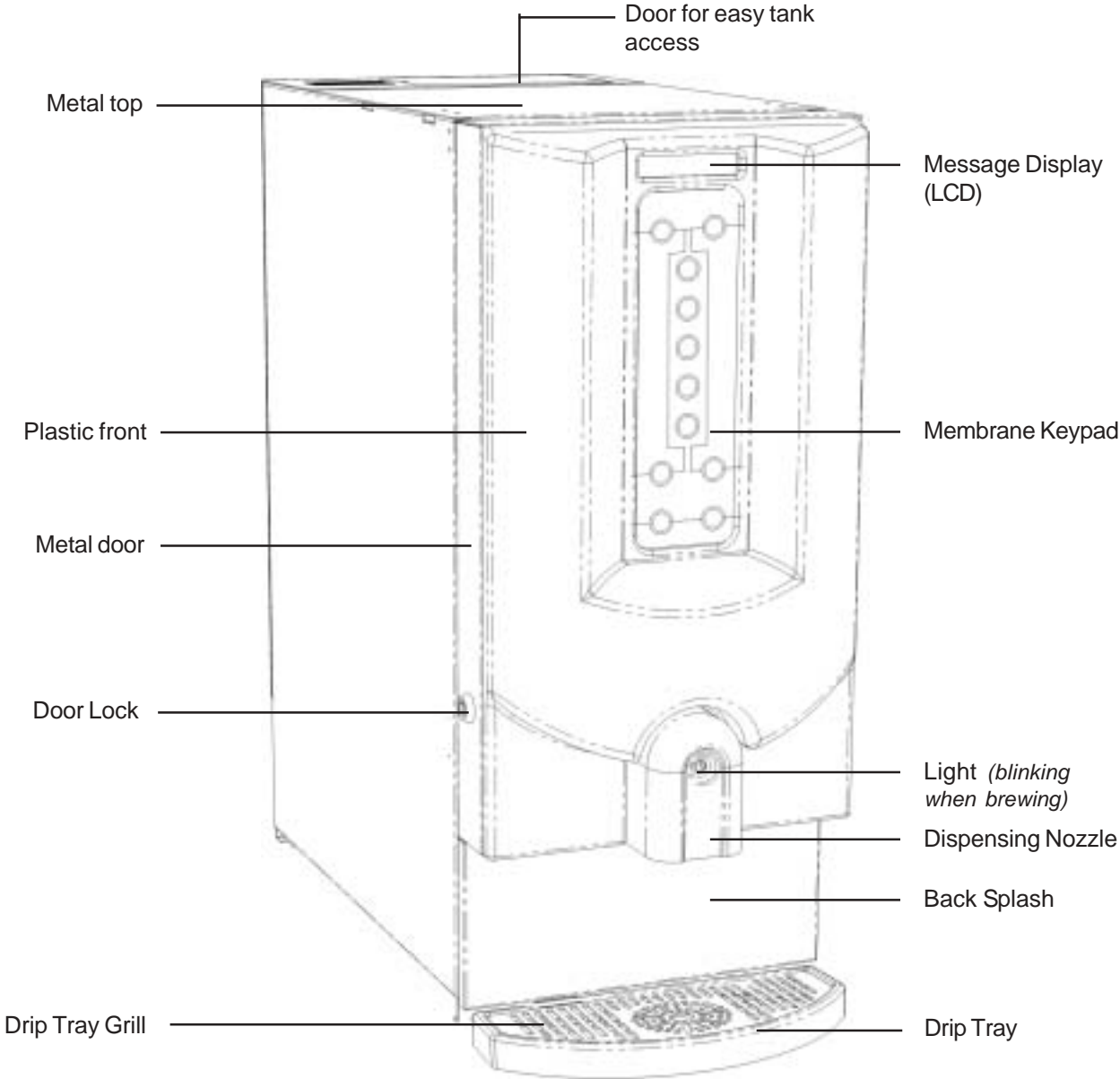
PARTS BOOK AVALON La Petite

Table of contents

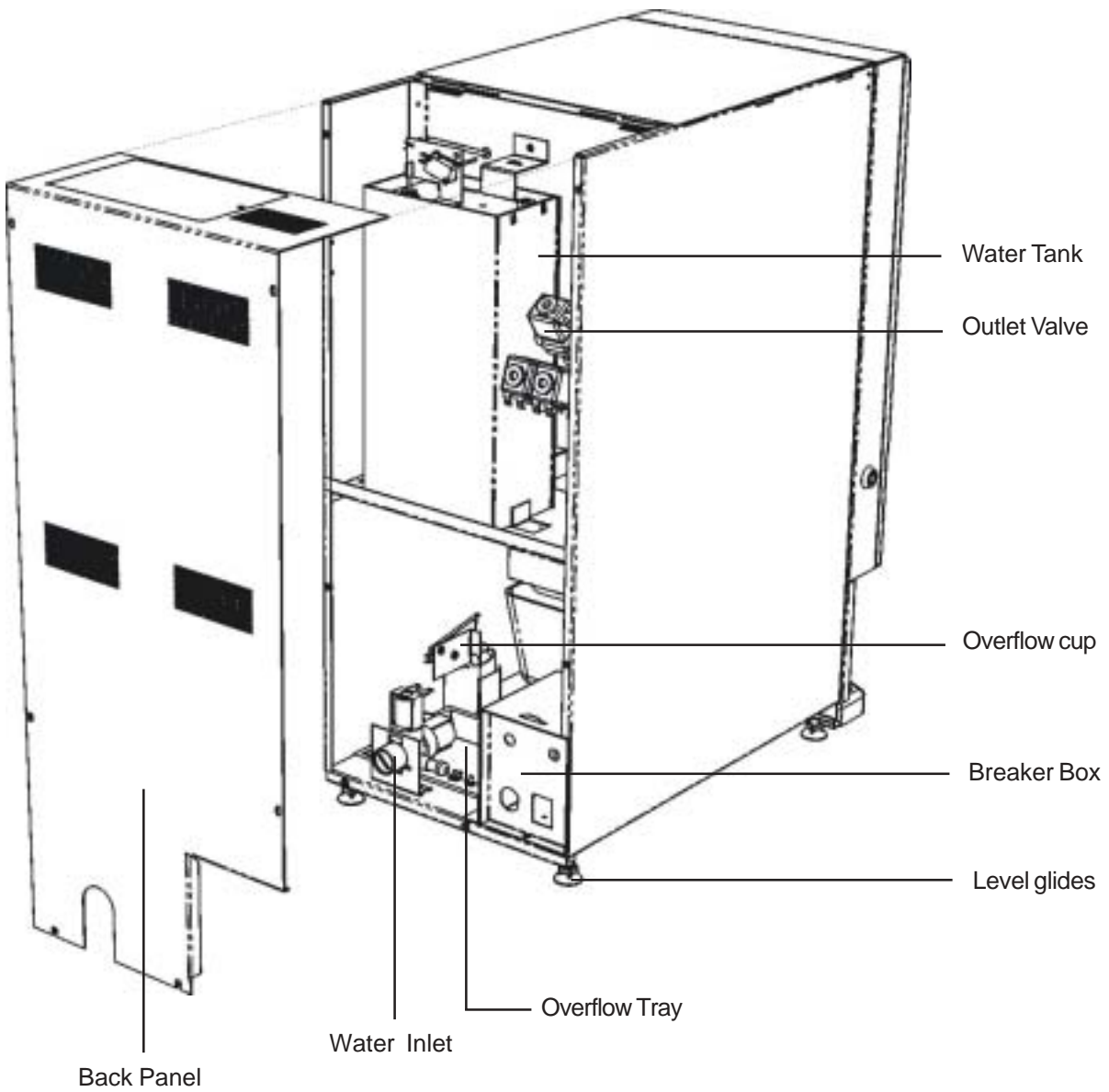
| | |
|--|----|
| External View..... | 5 |
| Rear View..... | 6 |
| Internal View..... | 7 |
| General machine..... | 9 |
| Filter Paper Support S-A..... | 11 |
| Brewer Zone..... | 13 |
| Brewer Assembly..... | 15 |
| Complete Piston 9oz S-A and Rod S-A..... | 17 |
| Main Door..... | 19 |
| Soluble Canister S-A..... | 21 |
| Hot Water Tank S-A..... | 23 |
| Overflow S-A..... | 25 |

PARTS BOOK AVALON La Petite

External View

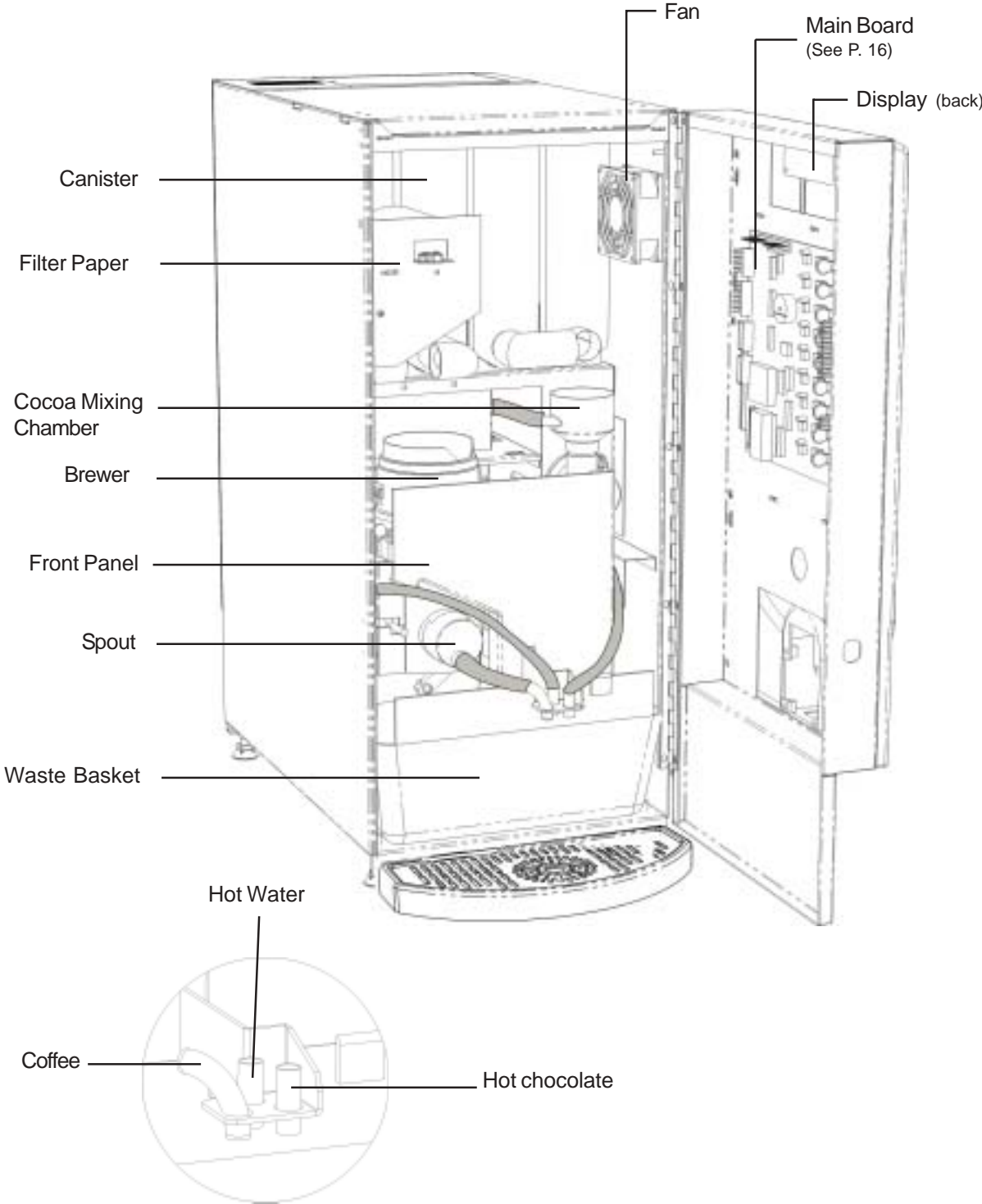


Rear View

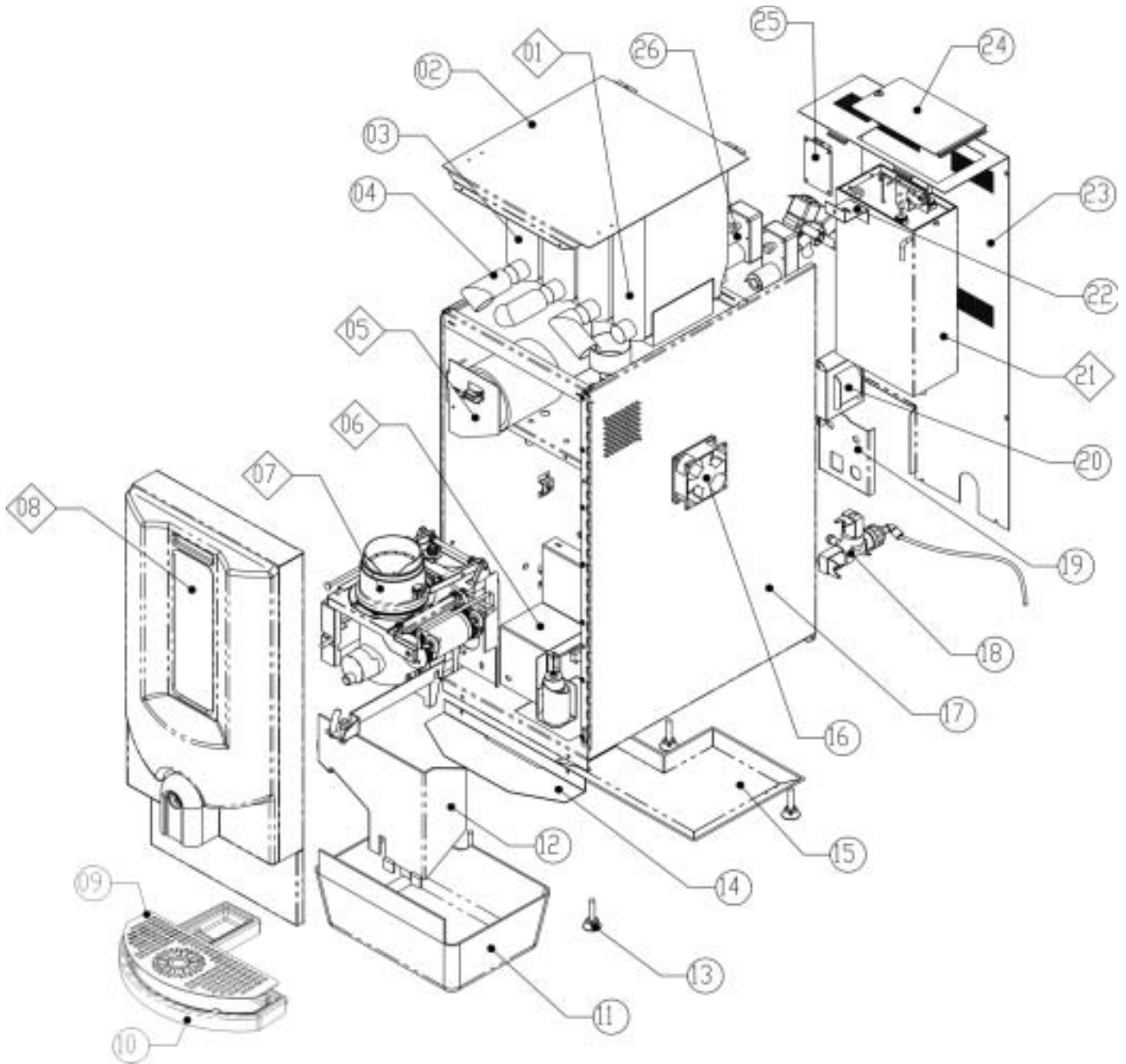


PARTS BOOK AVALON La Petite

Internal View



Avalon La Petite general machine



Items outlined in this view are major Assemblies and indicated with ◊

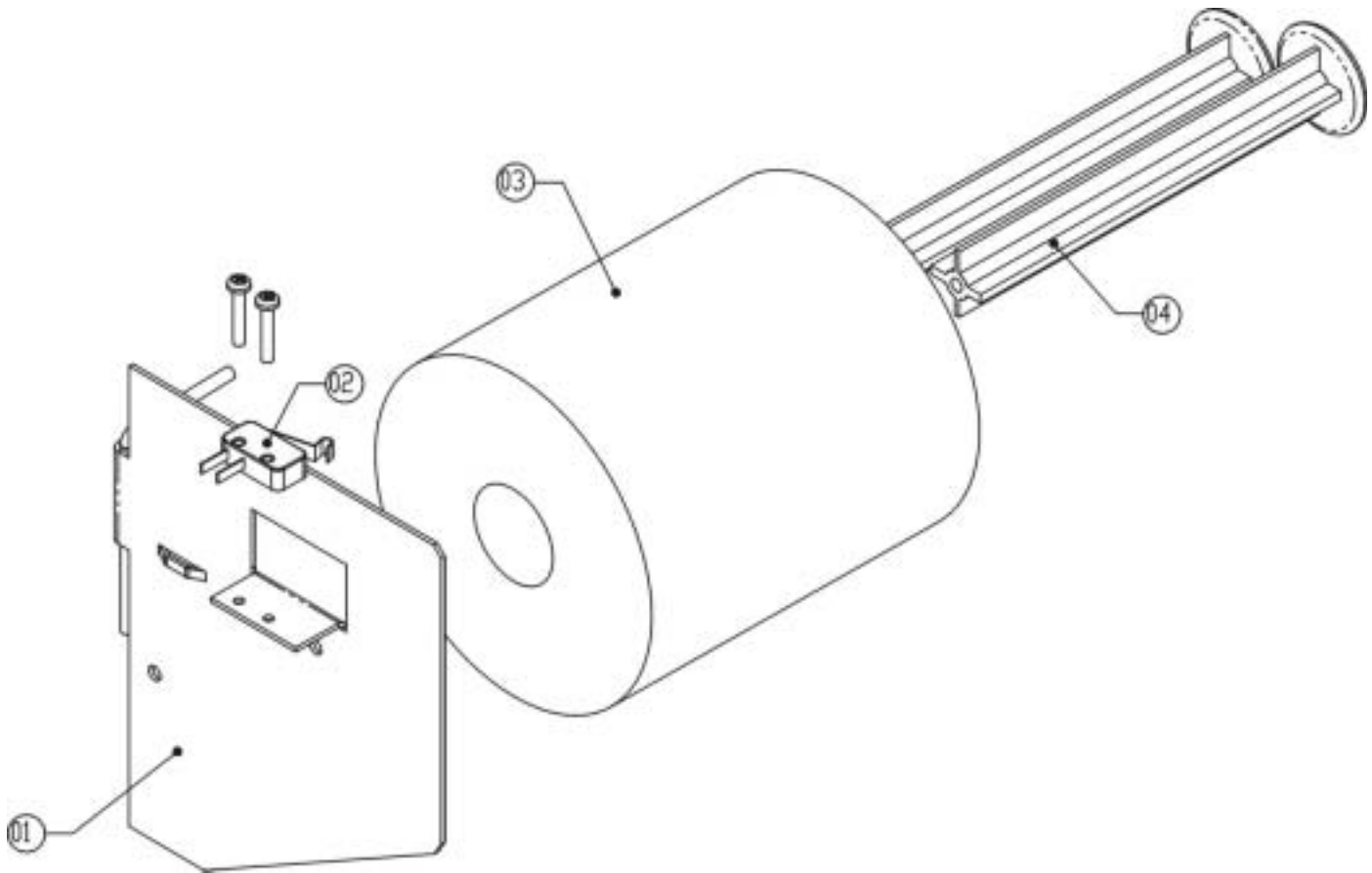
*Please see following pages for sub-assembly details

Avalon La Petite general machine

| No. | Part number | Description | Qty |
|-----|---------------|-------------------------------|-----|
| 1. | xxxxxxxxxxxxx | S-A canister for soluble | 2 |
| 2. | PECAB04 | Flat metal lid | 1 |
| 3. | PECAN01 | Canister 177 x 242 mm | 4 |
| 4. | PECAN02 | Elbow 38 x 70mm | 2 |
| 5. | xxxxxxxxxxxxx | S-A paper filter kit | 1 |
| 6. | xxxxxxxxxxxxx | S-A overflow motor protection | 1 |
| 7. | 99CAB22 | Platinum brewer assembly | 1 |
| 8. | xxxxxxxxxxxxx | S-A door assembly | 1 |
| 9. | PECAB09 | Liquid dispenser grill | 1 |
| 10. | PECAB08 | Drip tray1 | 1 |
| 11. | PECAB15 | Waste basket | 1 |
| 12. | PECAB10 | Front panel | 1 |
| 13. | 01CAB19 | Black glide base | 4 |
| 14. | PECAB23 | Drip tray bracket | 1 |
| 15. | PECAB24 | Overflow drip tray | 1 |
| 16. | 96ELC29 | Fan | 1 |
| 17. | PECAB01 | Metallic cabinet | 1 |
| 18. | 01TAN04 | Solenoid valve 110v | 1 |
| 19. | PECAB02 | Electric box door | 1 |
| 20. | 03ELC01 | Transformer 100va | 1 |
| 21. | PEASS16 | Hot water tank | 1 |
| 22. | PECAB03 | Tank guard | 1 |
| 23. | PECAB05 | Back panel | 1 |
| 24. | PECAB07 | Back panel trap | 1 |
| 25. | 03TAN03-P | Thermostat electronic board | 1 |
| 26. | 04MOT01 | Ingredient motor | 4 |

*See following pages for sub-assembly

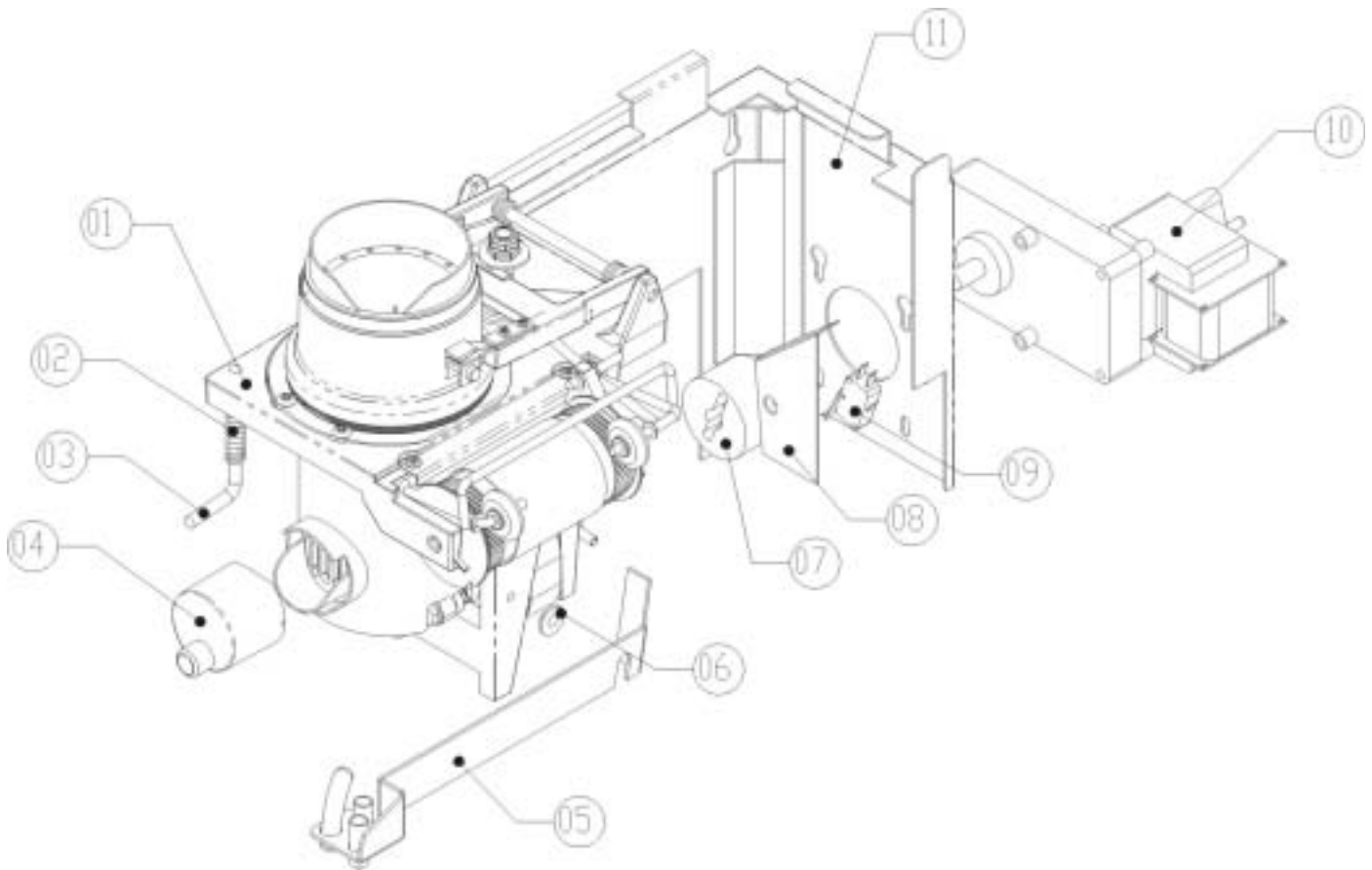
Filter paper support S-A



Filter paper support S-A

| No. | Part number | Description | Qty |
|-----|-------------|---------------------------|-----|
| 1. | PECAB11 | Paper filter rod bracket | 1 |
| 2. | PEELC32 | Paper filter switch | 1 |
| 3. | 99CAB29R | Paper filter | 1 |
| 4. | 03CAB06 | Injected filter paper rod | 2 |

Brewer zone



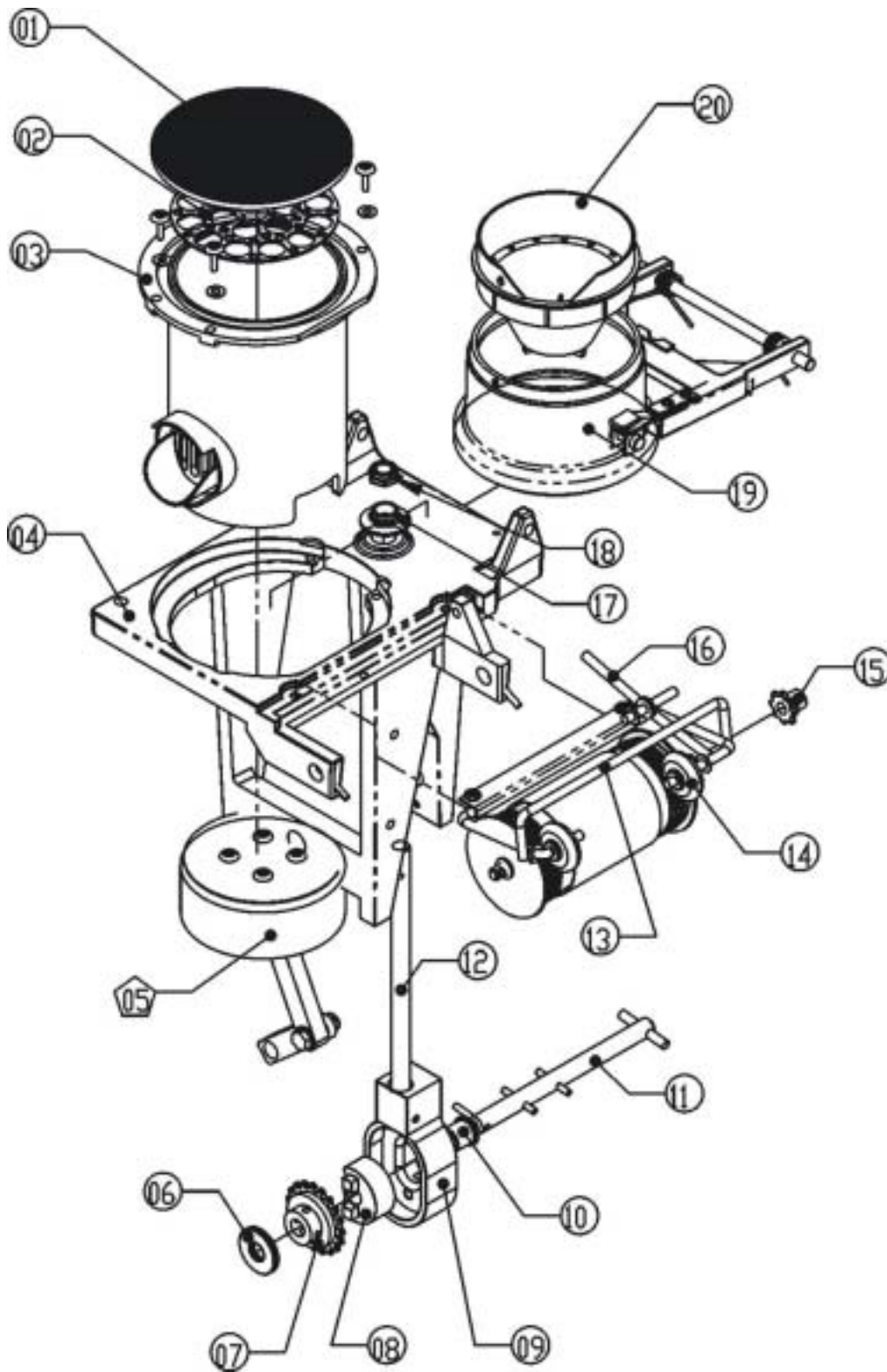
PARTS BOOK AVALON La Petite

Brewer zone

| No. | Part number | Description | Qty |
|-----|-------------|--------------------------|-----|
| 1. | 99CAB22 | Platinum brewer assembly | 1 |
| 2. | 96BRM02A | Latch spring | 1 |
| 3. | 96BRM10 | Latch | 1 |
| 4. | 04BRE78 | Injected spout | 1 |
| 5. | PEBRM11 | Hoses support | 1 |
| 6. | 96HAR64 | Bushing | 1 |
| 7. | 96BRM05 | Coupling (dog driver) | 1 |
| 8. | 96BRM06 | Switch protector | 1 |
| 9. | 96ELC03 | Coupling switch (brewer) | 1 |
| 10. | 96BRM03 | Brewer motor | 1 |
| 11. | PEBRM01 | Brewer bracket | 1 |

*Please see following pages for sub-assembly details

Brewer assembly

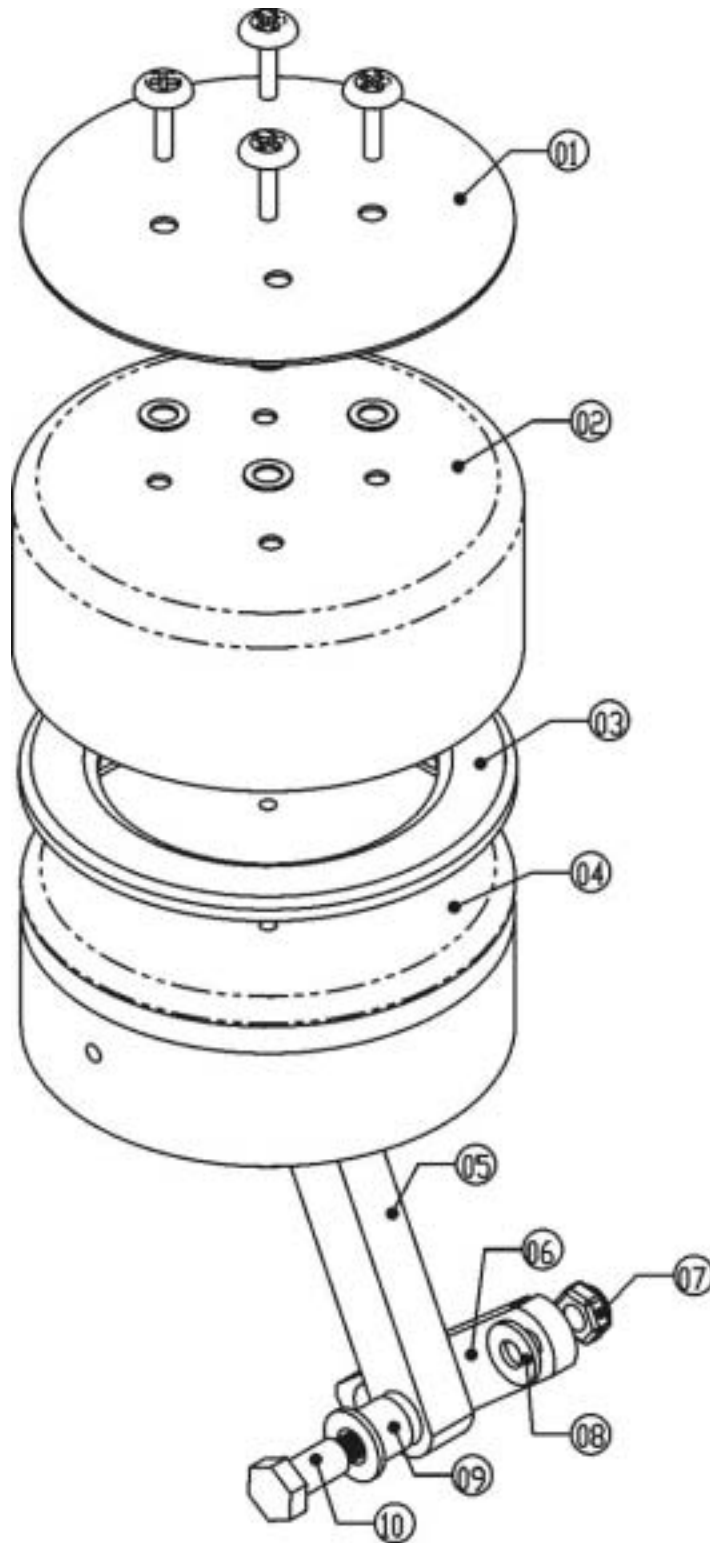


Brewer assembly

| No. | Part number | Description | Qty |
|-----|-------------|-------------------------------------|-----|
| 1. | 99BRE55R | Screen and seal | 1 |
| 2. | 99BRE54R | Screen support | 1 |
| 3. | 99BRE52R | 9 oz cylinder | 1 |
| 4. | 99BRE51R | Main support | 1 |
| 5. | 98BRE42 | Piston 9oz | 1 |
| 6. | 96HAR104 | Flat washer 0.390 X 1.00 X 0.062 | 1 |
| 7. | 98SAS100 | Clutch sprocket S-A | 1 |
| 8 | 98BRE30 | Cam | 1 |
| 9. | 98BRE25 | Vertical rod threaded | 1 |
| 10. | 96HAR105 | Large bearing | 4 |
| 11. | 98SAS108 | Main shaft S-A | 1 |
| 12 | 99BRE25R | Vertical rod | 1 |
| 13. | 99SAS134 | Yoke S-A | 1 |
| 14. | 98SAS109 | Wheel S-A | 2 |
| 15. | 99BRE71R | Sprocket tape drum drill | 1 |
| 16. | 99BRE74R | Lift bar | 1 |
| 17. | 98BRE57 | Adjusting nut 3/8-24 | 1 |
| 18 | 96HAR115 | Lock nut nylon 3/8 x 24 S/S | 1 |
| 19. | 99BRE65R | Brew chamber | 1 |
| 20. | 98BRE64 | Brew chamber funnel | 1 |
| | *98SAS137 | Complete piston 9oz S-A and rod S-A | |
| | *99SAS135 | Cam housing | |
| | *99SAS136 | H-frame with brew chamber | |

*Please see following pages for sub-assembly details

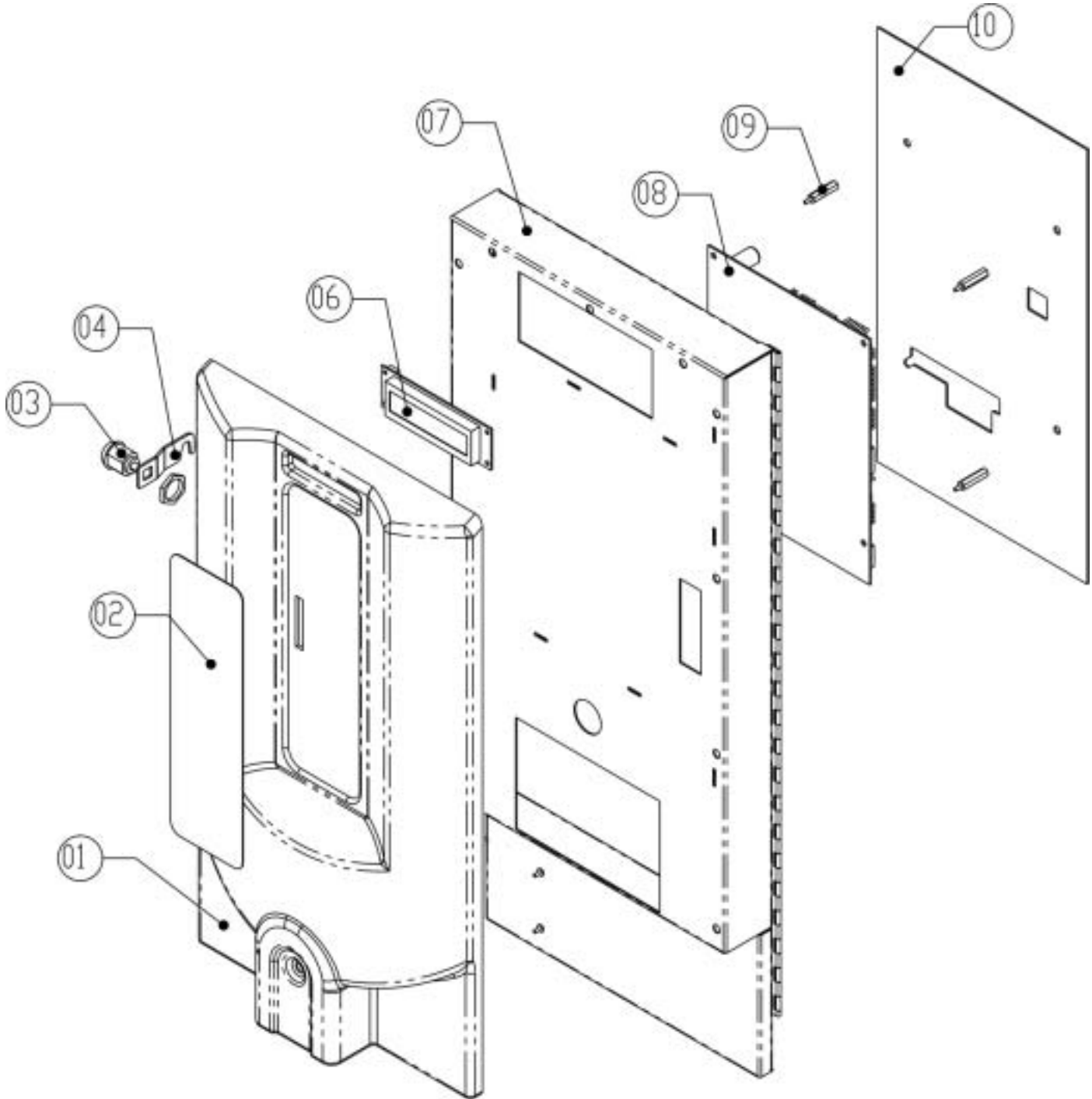
Complete piston 9oz S-A and rod S-A



Complete piston 9oz S-A and rod S-A

| No. | Part number | Description | Qty |
|-----|-------------|--------------------------|-----|
| 1. | 98BRE38 | Top plate | 1 |
| 2. | 98BRE39 | Teflon seal | 1 |
| 3. | 98BRE41 | Piston o'ring | 1 |
| 4. | 98BRE42 | Piston 9oz | 1 |
| 5. | 98BRE43 | Piston lever | 1 |
| 6. | 98BRE35 | Crank arm | 1 |
| 7. | 96HAR102 | Locknut 10/24 | 1 |
| 8 | 96HAR108 | Flat washer 0.203" | 1 |
| 9. | 98BRE86 | Flange bushing in brass | 1 |
| 10. | 96HAR109 | Crank arm shoulder screw | 1 |

Main door

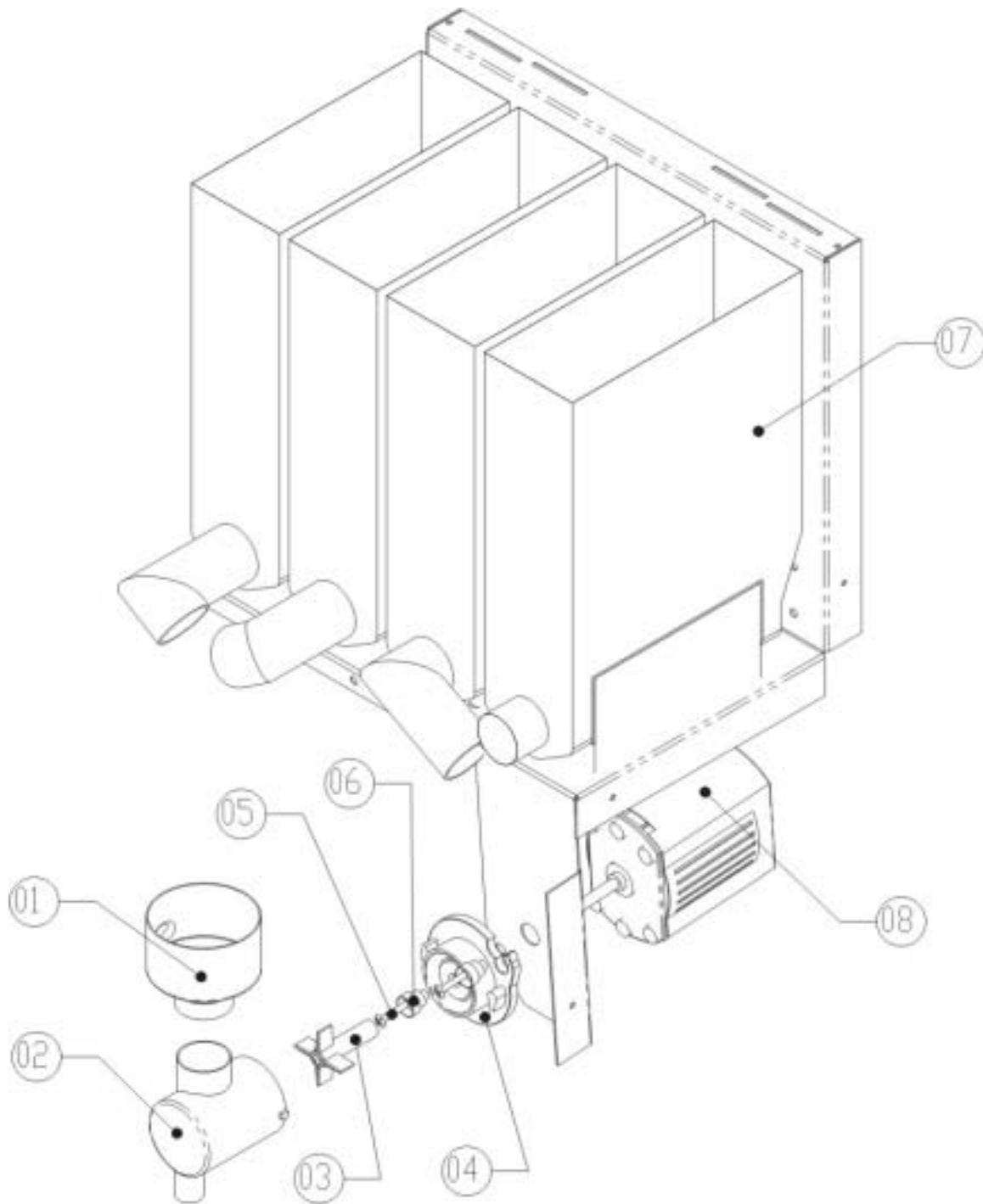


PARTS BOOK AVALON La Petite

Main door

| No. | Part number | Description | Qty |
|-----|-------------|---------------------------|-----|
| 1. | PEDOR20 | Fascia | 1 |
| 2. | 96DOR26 | Membrane & flat cable | 1 |
| 3. | PEDOR03 | Main door lock | 1 |
| 4. | PEDOR02 | Cam (exterior door) | 1 |
| 6. | 03DOR25 | LCD screen | 1 |
| 7. | PEDOR01 | Main door | 1 |
| 8 | PEELN01 | 24v electronic card | 1 |
| 9. | 96HAR29 | Fixation posts 6-32" x 1" | 1 |
| 10. | 03DOR10 | Lexan (board protector) | 1 |
| 11. | PEELC05 | Chrome green led | 1 |

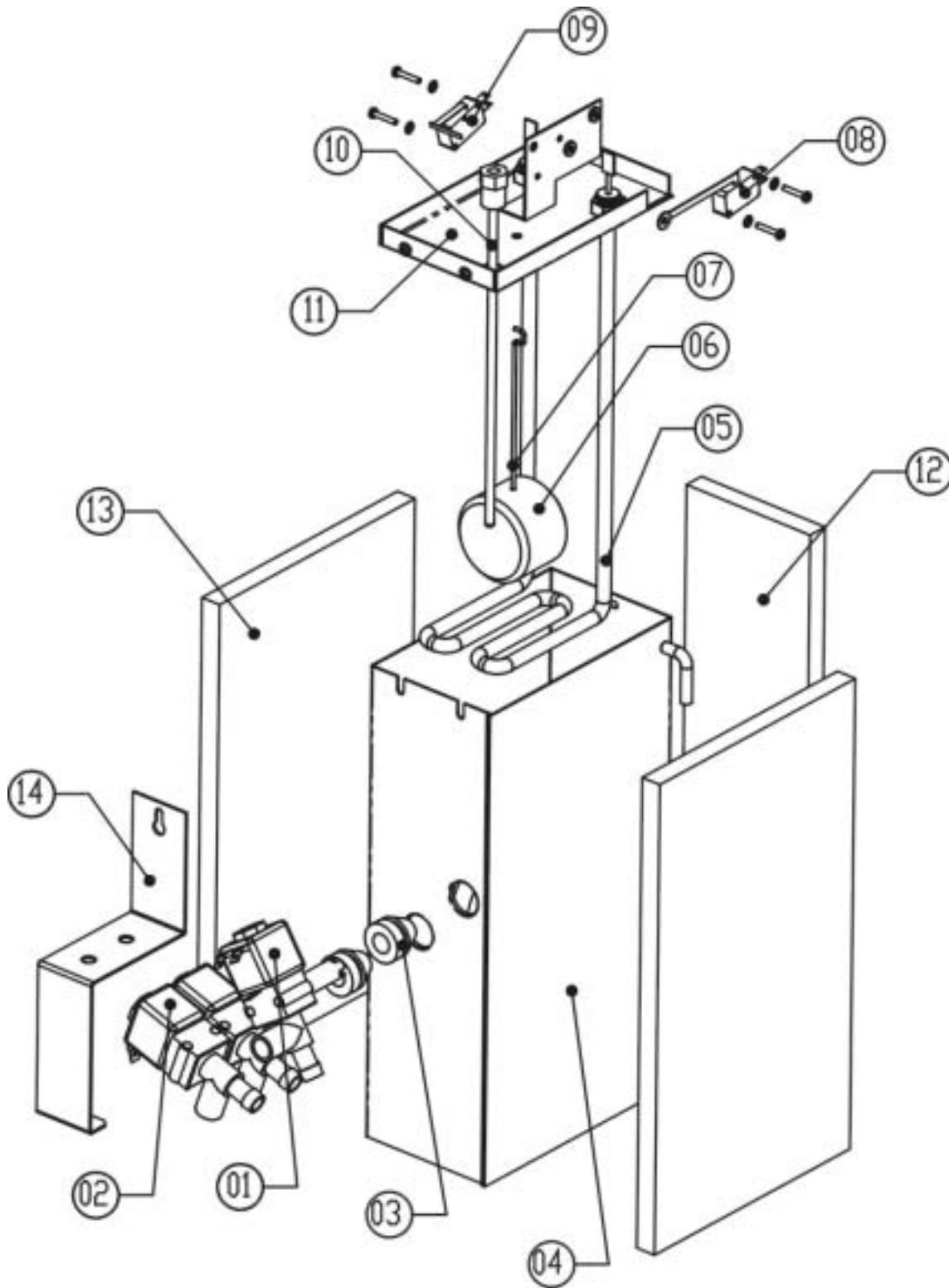
Soluble canister S-A



Soluble canister S-A

| No. | Part number | Description | Qty |
|-----|-------------|---------------------------------------|-----|
| 1. | 03CHO03 | Inlet water funnel 6mm, grey, plastic | 1 |
| 2. | 03CHO04 | Whipping chamber, grey, plastic | 1 |
| 3. | 03CHO02 | Impeller, grey, plastic | 1 |
| 4. | 03CHO01 | Whipper base S-A, grey, plastic | 1 |
| 5. | PEHAR07 | Truss screw 6-32" x 3/4" long | 2 |
| 6. | 03CHO07 | Pillar, grey, plastic | 2 |
| 7. | PECAN01 | Compenenti canister 177 x 242mm | 4 |
| 8. | PECHO05 | Whipping motor with 24v amp plug | 1 |

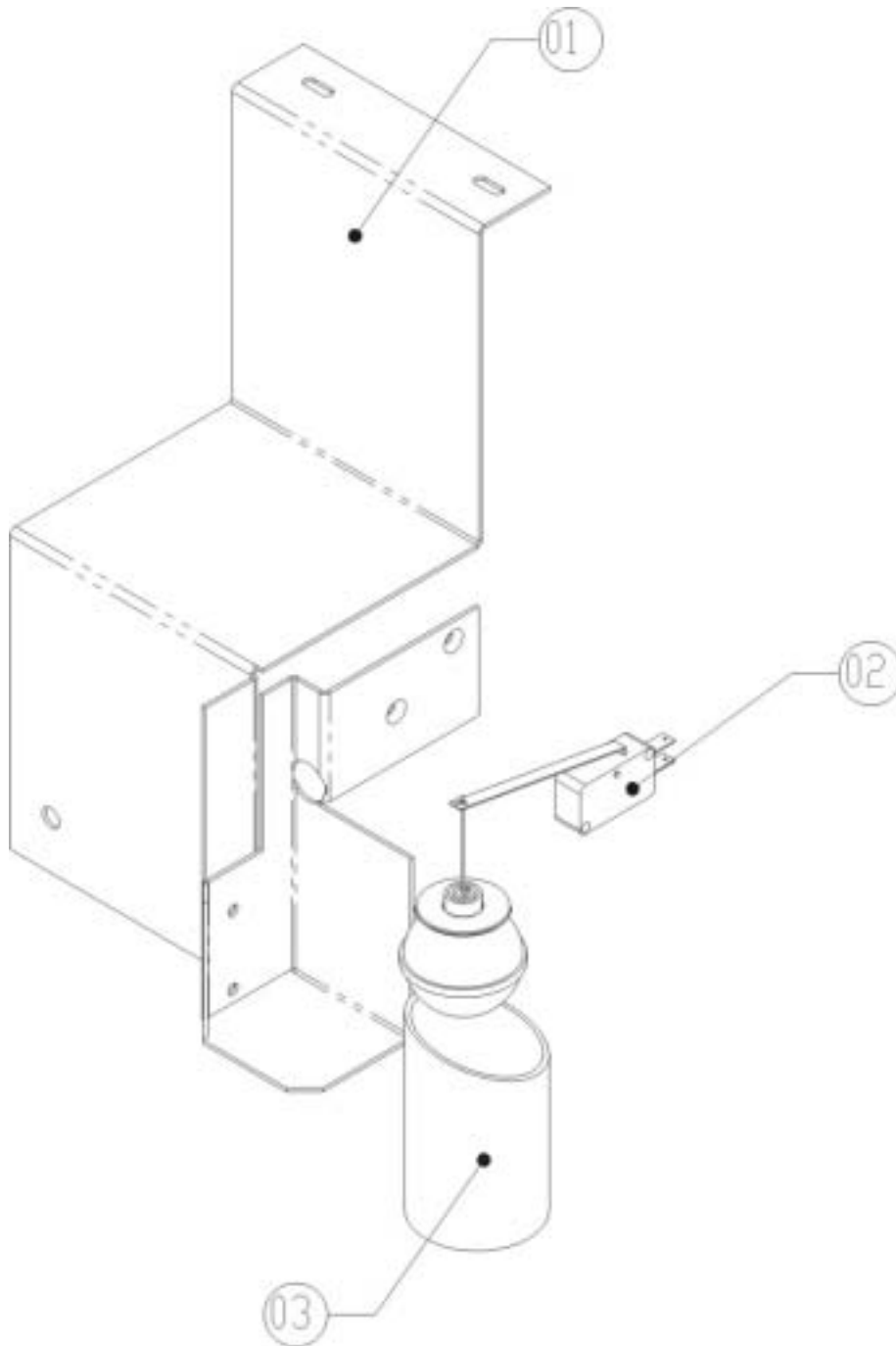
Hot water tank S-A



Hot water tank S-A

| No. | Part number | Description | Qty |
|-----|-------------|------------------------------------|-----|
| 1. | PETAN07A | Single outlet valve | 1 |
| 2. | PETAN07B | Manifold outlet valve | 1 |
| 3. | PETAN05 | Conical mounting seal 8" for valve | 2 |
| 4. | PETAN01 | Tank | 1 |
| 5. | PETAN03 | Element 1250w | 1 |
| 6. | 96TAN16 | Float bowl | 1 |
| 7. | 96TAN17 | Float pin | 1 |
| 8. | 96ASS09 | Water level switch S-A | 1 |
| 9. | 96ELC06 | Heater safety switch | 1 |
| 10. | 03ASS01 | Temperature probe | 1 |
| 11. | 03TAN02 | Tank cover | 1 |
| 12. | PETAN21 | Front insulator 11 1/2 x 3 1/2 | 1 |
| 13. | PETAN20 | Side insulator 11 1/2 x 6 1/4 | 2 |
| 14. | PECAB25 | Valve support | 1 |

Overflow S-A



Overflow S-A

| No. | Part number | Description | Qty |
|-----|-------------|---|-----|
| 1. | PECAB28 | Overflow support & brewer motor protector | 1 |
| 2. | 96ASS17 | Overflow float S-A | 1 |
| 3. | 96TAN19 | Overflow cup | 1 |