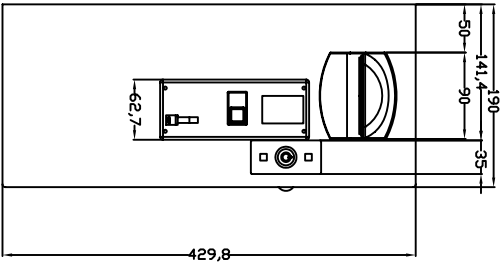
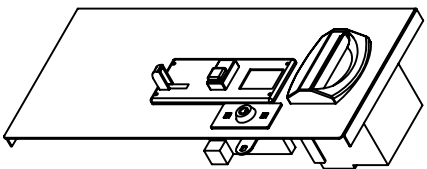


BACK



FRONT

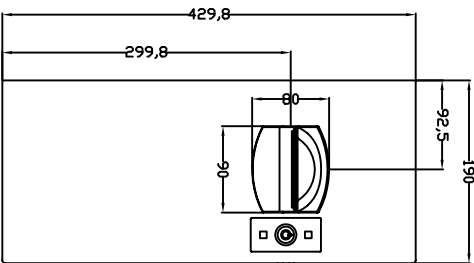


NOTE :
This drawing & design is the property of Matahari Leisure and cannot be reproduced or copied, wholly or in part without prior written permission of MATAHARI LEISURE

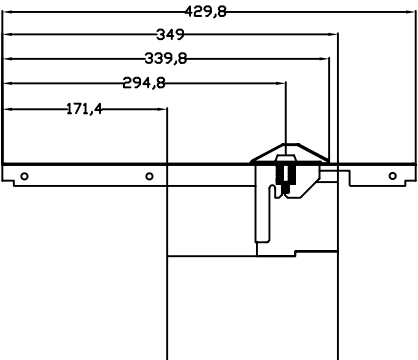
MATERIAL :	METAL SHEET	PROJECT NAME :	STANDARD
FINISHING :	PC BLACK	TITLE NAME :	CON AND GAR DOOR EURO
QTY / MC :	1 OFF	DESIGNER :	WAMU
SCALE :	GENERAL TOLERANCE	CHECKED :	AMMAR
1:1	± 0.2 mm	APPROVAL :	SAIEDI
		DATE :	09/04/07

NO	DATE	CHANGE ITEM

MATAHARI LEISURE



FRONT



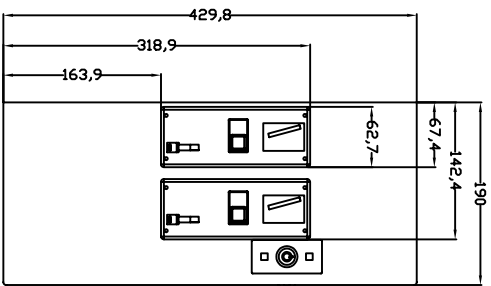
SIDE

NOTE :
This drawing & design is the property of Matahari Leisure and cannot be reproduced or copied, wholly or in part without prior written permission of MATAHARI LEISURE

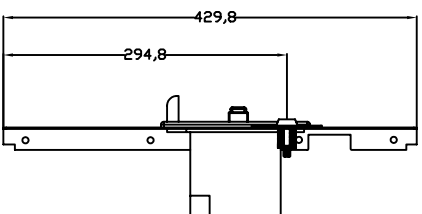
MATERIAL :	METAL SHEET	PROJECT NAME :	STANDARD
FINISHING :	PC BLACK	TITLE NAME :	GAR DOOR EURO
QTY / MC :	1 OFF	DESIGNER :	WAMU
SCALE :	GENERAL TOLERANCE	CHECKED :	AMMAR
1:1	± 0.2 mm	APPROVAL :	SAIEDI
		DATE :	09/04/07

NO	DATE	CHANGE ITEM

MATAHARI LEISURE



FRONT



SIDE

NOTE :
This drawing & design is the property of Matahari Leisure and cannot be reproduced or copied, wholly or in part without prior written permission of MATAHARI LEISURE

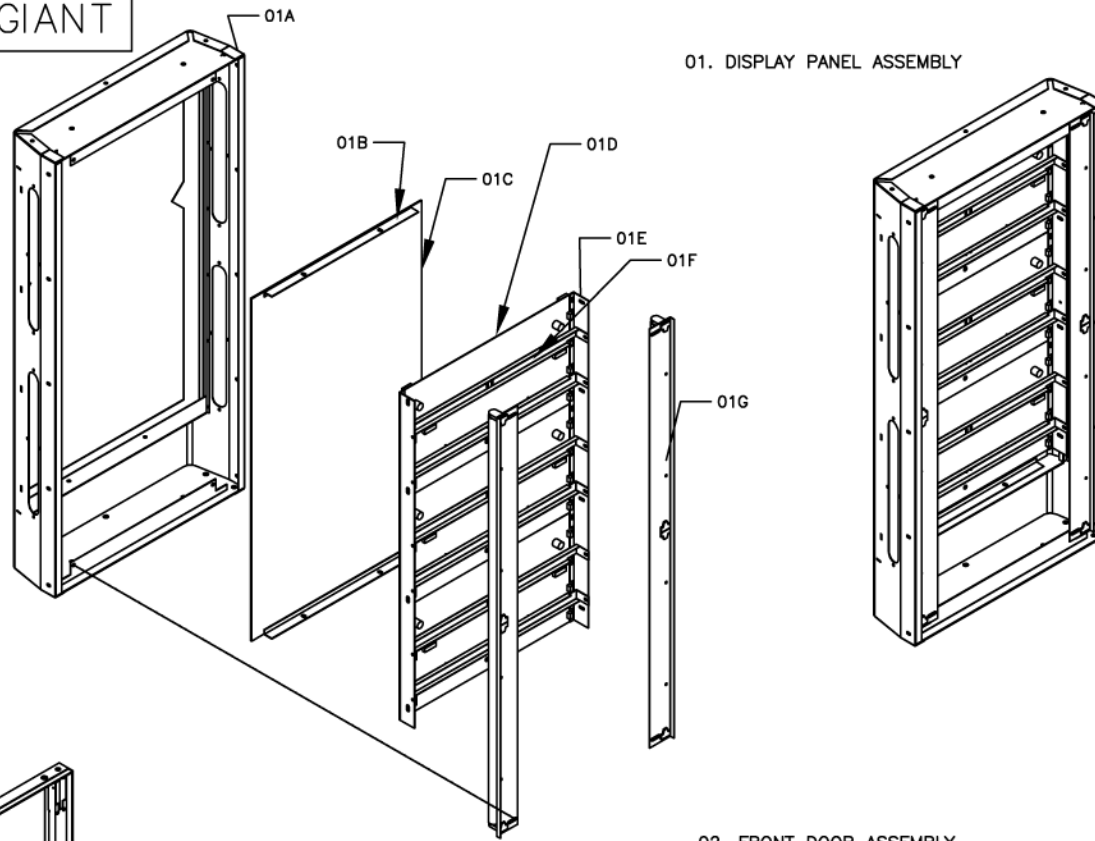
MATERIAL :	METAL SHEET	PROJECT NAME :	STANDARD
FINISHING :	PC BLACK	TITLE NAME :	DOOR CON DOOR EURO
QTY / MC :	1 OFF	DESIGNER :	WAMU
SCALE :	GENERAL TOLERANCE	CHECKED :	AMMAR
1:1	± 0.2 mm	APPROVAL :	SAIEDI
		DATE :	09/04/07

NO	DATE	CHANGE ITEM

MATAHARI LEISURE

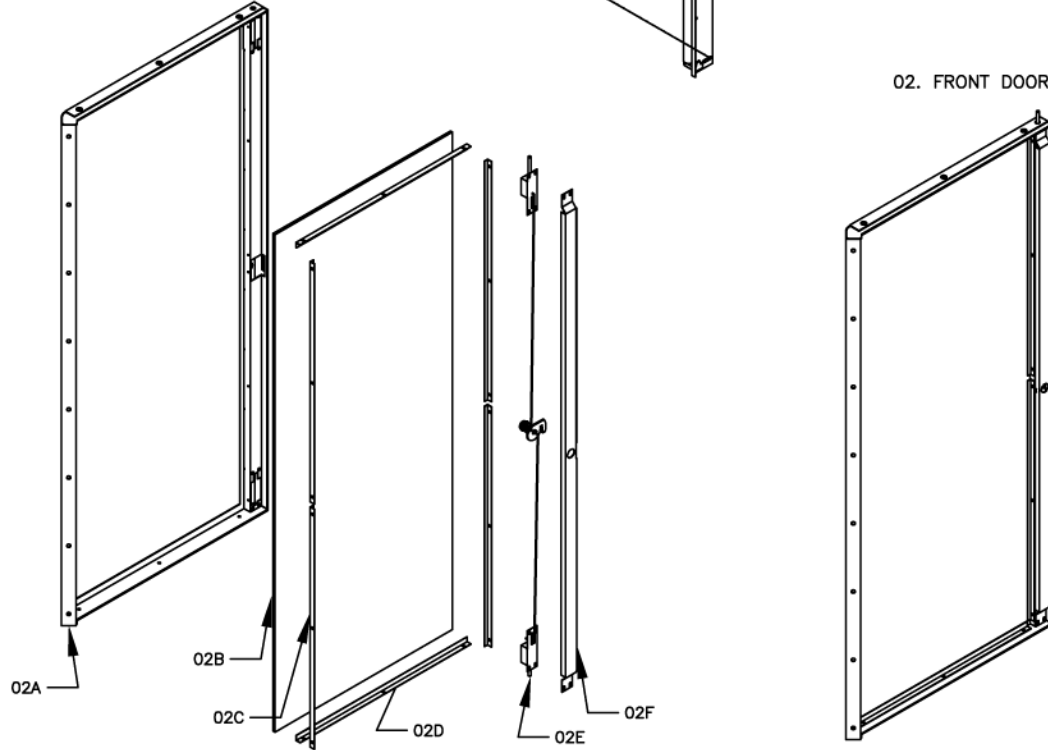
STACKER GIANT

01. DISPLAY PANEL ASSEMBLY

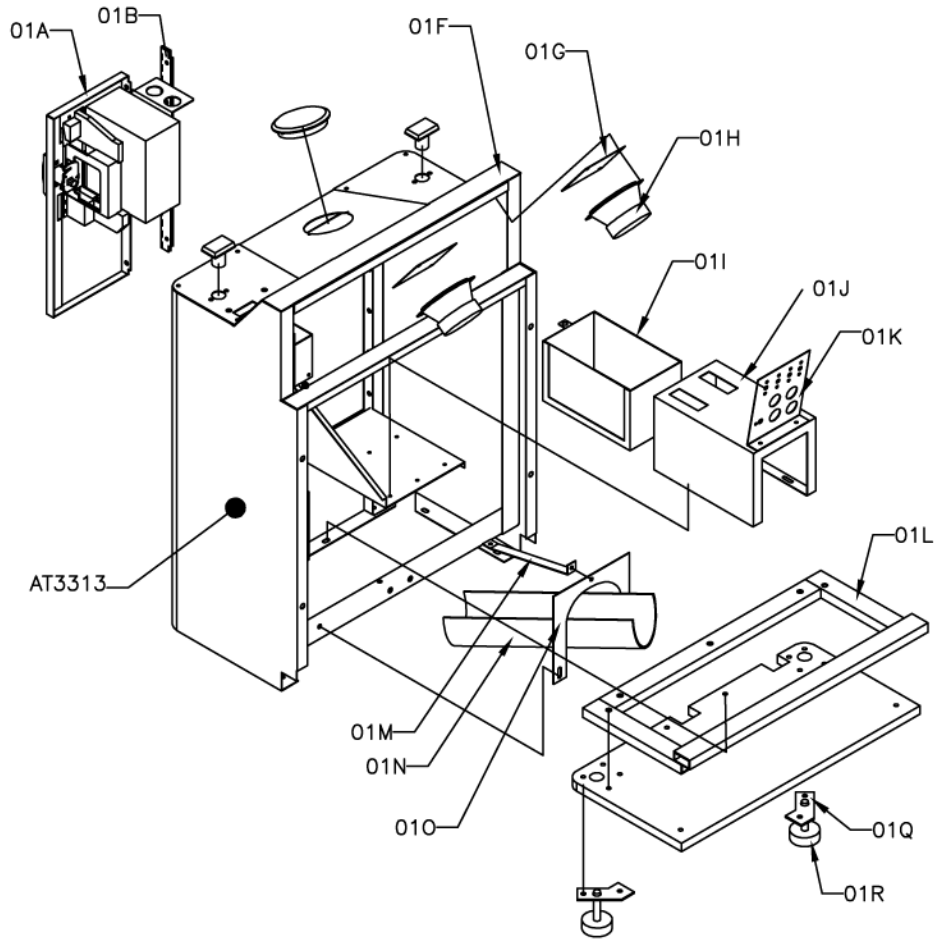


NO	PART NO	DESCRIPTION	QTY	
01	STG E004	DISPLAY PANEL ASSEMBLY	1	
PART ITEM	01A	STG E004a	DISPLAY BOX WITH SIDE ACRILLIC	1
	01B	-	LIST ACRILLIC DISPLAY	2
	01C	STG-FP-10-RO	DISPLAY ACRILLIC WITH STICKER	1
	01D	BAFB96	PCB FB96 LED DISPLAY	3
	01E	STG-FM-50-RO	LED PCB BRACKET	1R, 1L
	01F	STG-FM-52-RO	PCB STRANGHTER	6
	SUB	-	DISPLAY LIGHT ASSEMBLY	2
		STG-FM-36-RO	DISPLAY LAMP BRACKET	2
		EA0243	NEON 40W COOL WHITE	2
		EP 0434	END CAP HOLDER MODEL 713-HS	8
-		AT3317	STICKER ROUND DISPLAY	1
02	STG A011	GLASS DOOR ASSEMBLY	1	
PART ITEM	02A	STG-SA-15-RO	DOOR FRAME METAL ONLY	1
	02B	STG-FG-03-RO	FRONT GLASS	1
	02C	-	GLASS BRACKET H	4
	02D	-	GLASS BRACKET	2
	02E	STG A012	TRIPLE LOCK ASSEMBLY	1
	02F	-	TRIPLE LOCK COVER	1
	-	EE2413	CUBE LED RED (Spart Part)	-

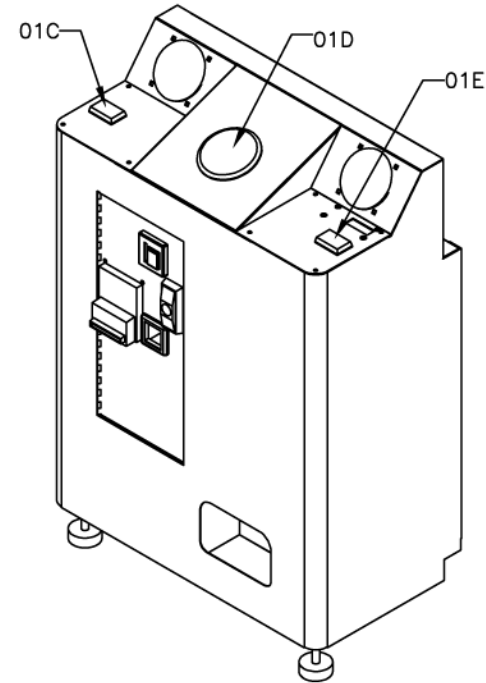
02. FRONT DOOR ASSEMBLY



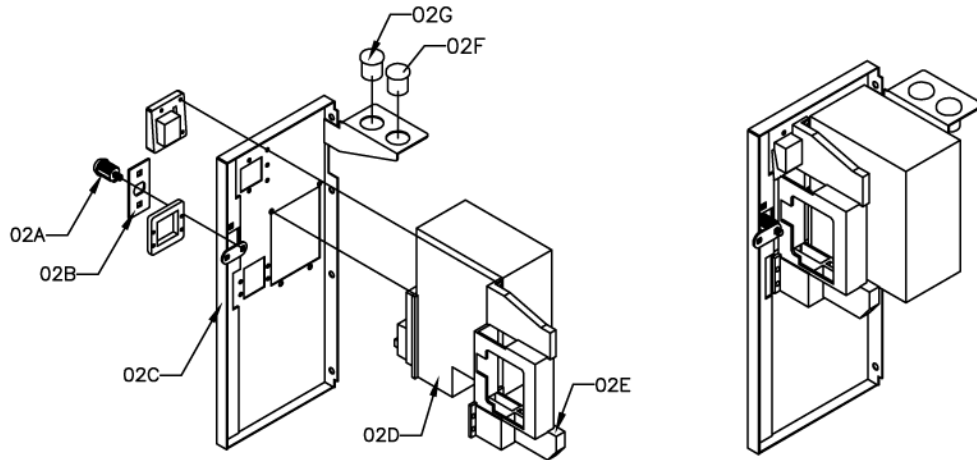
STACKER GIANT



01. CONTROL PANEL ASSEMBLY



02. COIN DOOR 1 DBA, 1 SLOT



NO	CODE	DESCRIPTION	QTY	
01	STG A005	CONTROL PANEL ASSEMBLY	1	
PART ITEM	01A	ST A002	COINDOOR 1 DBA, 1 SLOT	1
	01B	ST-FM-51-R1	COINDOOR HINGE	1
	01C	EA0545	SWITCH RECTA GREEN BUTTON WITH LAMP	1
	01D	EA0523	SWITCH LARGE RED MEGA BUTTON	1
	01E	EA0507	SWITCH RECTA BLUE BUTTON WITH LAMP	1
	01F	STG-SA-16-RO	CONTROL PANEL BOX	1
	01G	STG-FM-23-RO	SPEAKER GRILL	2
	01H	EA1201	SPEAKER 4" 8 ohm 40W	2
	01I	ST-SA-59-RO	CASH BOX	1
	01J	ST-SA-60-RO	HOUSING CASH BOX	1
	01K	STG E001	SERVICE PANEL ASSEMBLY	1
	-	-	SERVICE BRACKET	1
	EA1252	EA1252	COIN COUNTER 12V REAR MOUNTING	4
	EA0520	EA0520	SWITCH SMALL ROUND GREEN BUTTON	2
	EA0519	EA0519	SWITCH SMALL ROUND RED BUTTON	2
	EE0689	EE0689	POTENSIO CARBON DUAL GANG 50 K OHM	1
	STG H002a	STG H002a	HARNESS SERVICE ASSEMBLY	1
01L	-	BASE FRAME	1	
01M	-	COUPLE	1	
01N	-	DISPENCER FUNEL	1	
01O	-	DUCK END HOLDER	1	
01P	-	CONTROL PANEL BASE	1	
01Q	-	MOUNTING BASE	2	
01R	HM0002	RUBBER MOUNTING	2	
-	STG H002	CONTROL PANEL HARNESS	1	
-	AT3419	STICKER PLAYER INSTRUCTION	1	
-	AT3313	STICKER CONTROL PANEL	1	
-	AT3312	ACRILIC PLAYER INSTRUCTION SET	1	
02	ST A002	COINDOOR 1 DBA 1 SLOT ASSY	1	
PART ITEM	02A	HM0004	LOCK ANGLE	1
	02B	ST-FM-53-RO	THANDLE COVER	1
	02C	ST-SA-11-RO	COIN DOOR DBA METAL ONLY	1
	02D	-	DOLLAR BILL ACCEPTOR	1
	02E	HM0014	COIN MECHANISM	1
	02F	EA0520	SWITCH SMALL ROUND GREEN BUTTON	1
	02G	EA0519	SWITCH SMALL ROUND RED BUTTON	1
	-	ST H002	COINDOOR 1 DBA 1 SLOT HARNESS	1

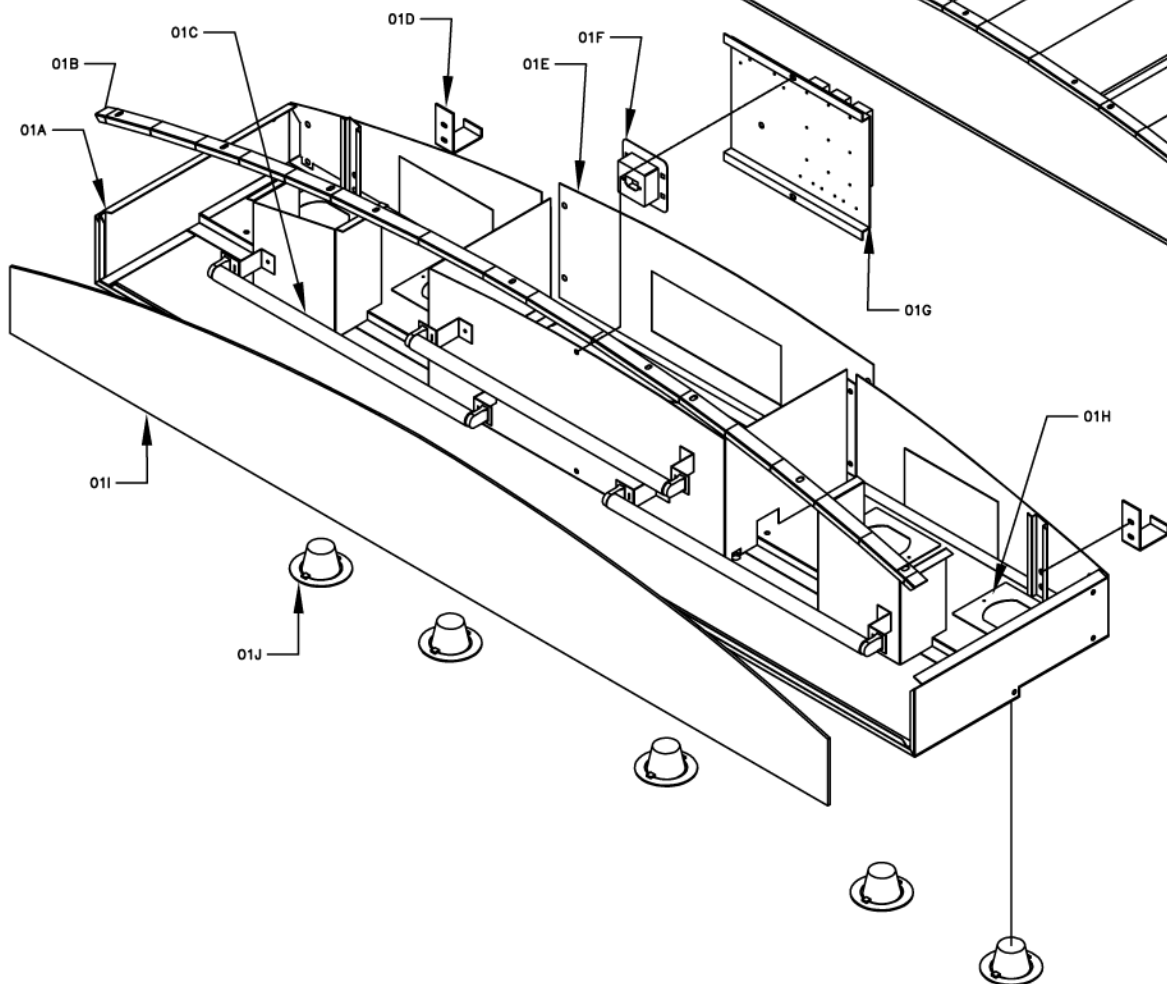
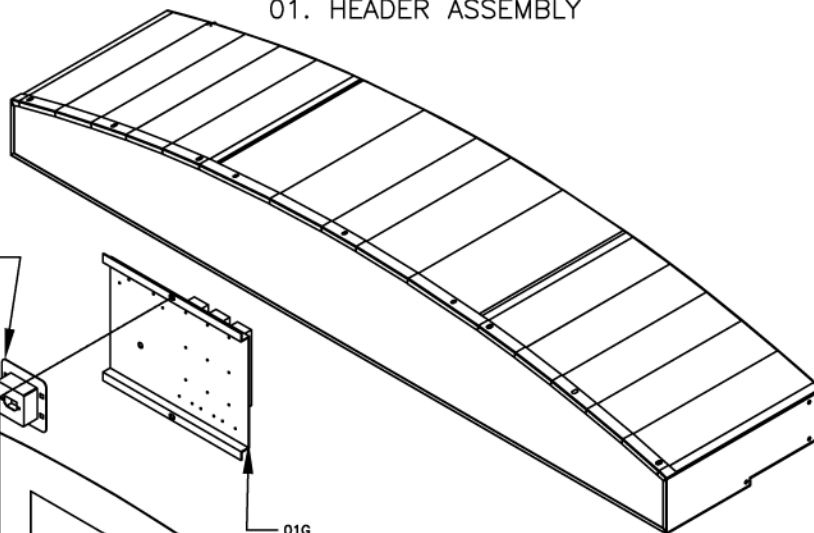
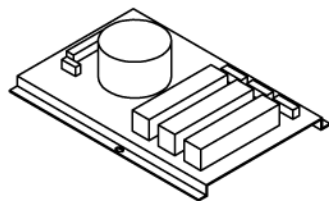
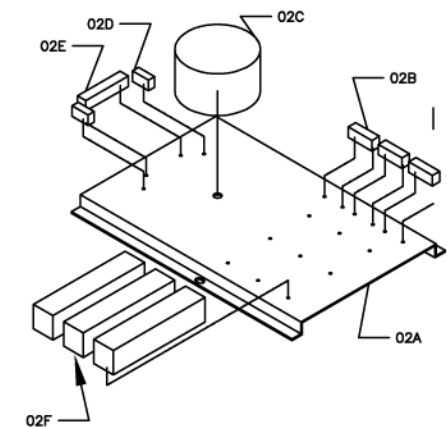
OPTIONAL PARTS

-	ST A002a	COINDOOR DOUBLE SLOT ASSY	1	
ITEM	-	ST-SA-61-RO	COIN DOOR DBA METAL ONLY	1
	-	ST H002a	COINDOOR DOUBLE SLOT HARNESS	1
	-	AT3313	SECTION STICKER COIN DOOR	1

STACKER GIANT

02. POWER HEADER ASSEMBLY

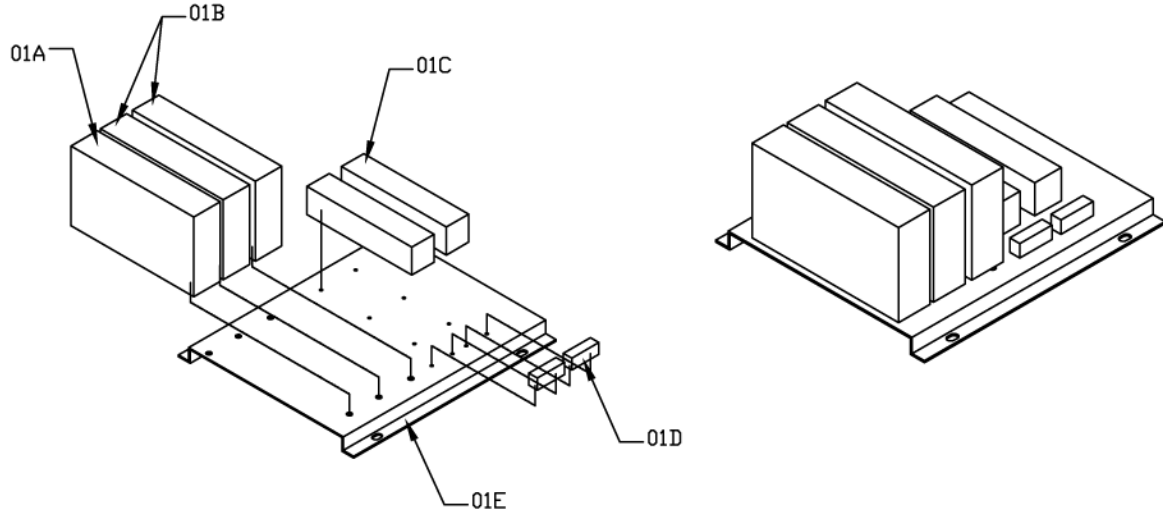
01. HEADER ASSEMBLY



NO	PART NO	DESCRIPTION	QTY	
01	STG A007	HEADER ASSEMBLY	1	
PART ITEM	01A	STG-SA-54-R0	HEADER MAIN BOX	1
	01B	STG-FM-55-R0	METAL TOP LIST	1
	01C	STG A008	HEADER LIGHT ASSEMBLY	3
	SUB	-	HEADER LAMP BRACKET	6
		EA0206	NEON 18W COOL WHITE	3
		EP0434	END CAP HOLDER MODEL 713-HS	6
	01D	-	L BRACKET SUPPORT	2
	01E	-	HEADER BACK MIDDLE	1
	01F	STG A013	POWER INLET ASSEMBLY	1
	SUB	STG-FM-61-R0	POWER INLET BRACKET	1
		EA0642	SOCKET AC 3 MALE (CAROUSEL)	1
	01G	STG E006	HEADER POWER ASSEMBLY	1
	01H	-	DOWNLIGHT BRACKET	5
	01I	AT3315	ACRILIC BACK LIGHT TOP HEADER	1
01J	HA0001ST	DOWNLIGHT ASSEMBLY	5	
SUB	EA0312	HOLDER DOWNLIGHT SWIVEL ACTION	5	
	EA0209	DOWN LIGHT 12 V 20 W	5	
-	STG H004	HEADER HARNESS	1	
02	STG E006	HEADER POWER ASSEMBLY	1	
PART ITEM	02A	STG-FM-62-R0	TRAF0 BRACKET	1
	02B	EA0311	STARTER BASE UL	3
	02C	EA0815	TRANSFORMER WITH CONECTOR	1
	02D	EA0042	FUSE HOLDER	2
	02E	EA0614	TERMINAL BLOCK UL	1
	02F	EA0325	BALLAST 240V, 15W	3
	-	EA1359	BALLAST 110V, 15W	3

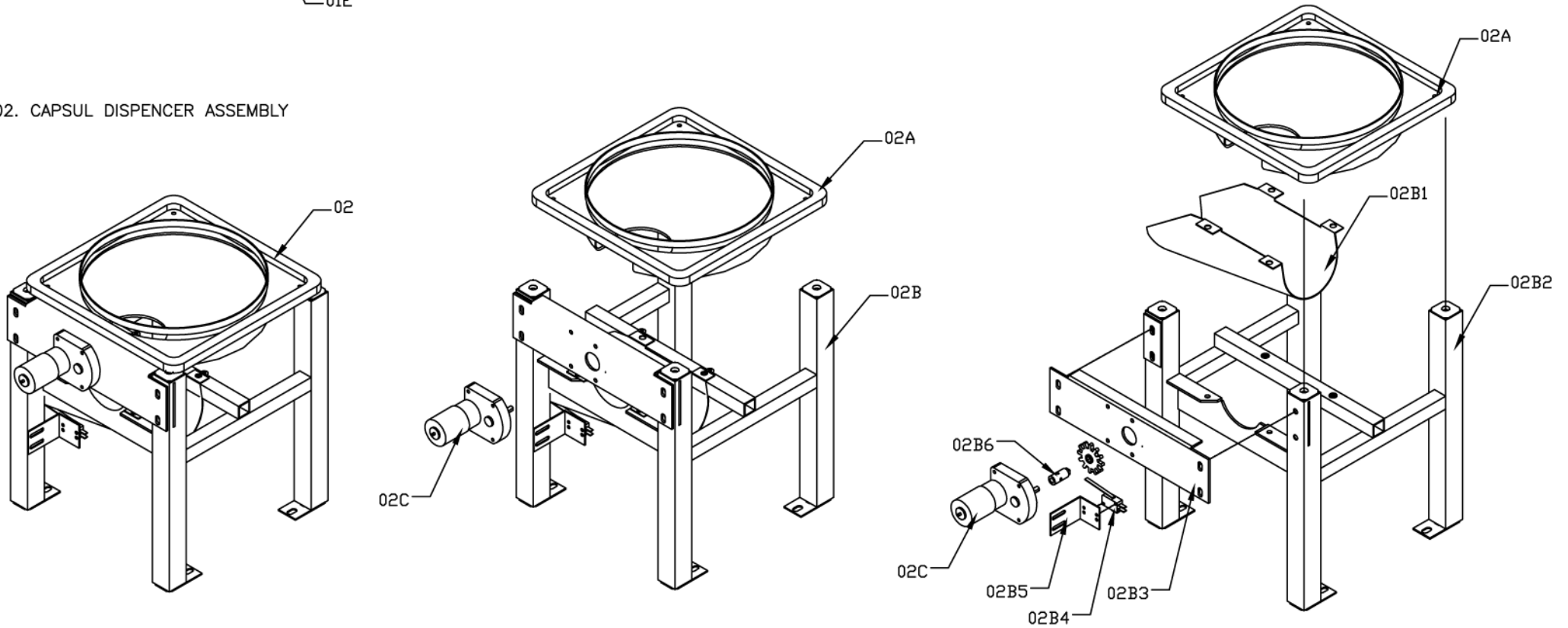
STACKER GIANT

01. MAIN POWER ASSEMBLY

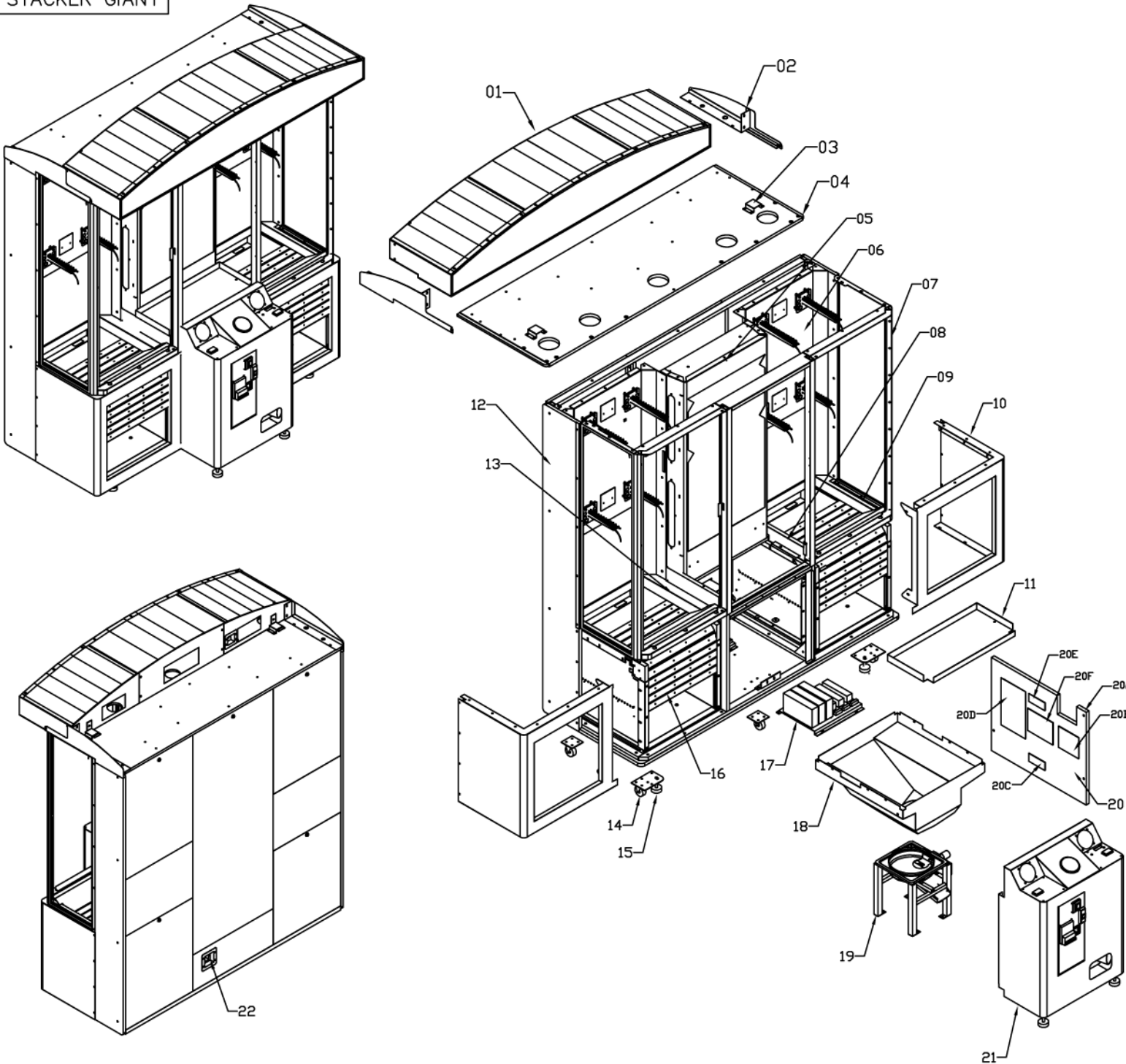


	NO	PART NO	DESCRIPTION	QTY	
	01	STG E007	MAIN POWER ASSEMBLY	1	
PART ITEM	01A	EA1015	POWER SUPPLY S-150-12 SINGLE OUTPUT	1	
	01B	EA1013	POWER SUPPLY S-100-F-5 SINGLE OUTPUT	2	
	01C	EA03030	NEON BALLAST 110-240VAC 40W	2	
	01D	EA0311	STARTER BASE UL	2	
	01E	-	LOWER TRAF0 BRACKET	1	
	02	STG A003	CAPSUL DISPENCER ASSEMBLY	1	
PART ITEM	02A	HA2090-STK GNT	CAPSUL DISPENCER 3" IN SET	1	
	02B	STG A014	FRAME CAPSUL DISPENCER ASSEMBLY	1	
	SUB	02B1	-	INLET DUCK	1
		02B2	-	CAPSUL DISPENCER LEG	1
		02B3	-	CAPSUL DISPENCER MOTOR BRACKET	1
		02B4	EA0403	SWITCH COIN MICRO WITH WIRE	1
		02B5	-	BRACKET SWITCH	1
		02B6	-	ADAPTER SHAFT	1
	02C	EA1158	MOTOR 8000DC 12VDC 10-18 RPM	1	

02. CAPSUL DISPENCER ASSEMBLY



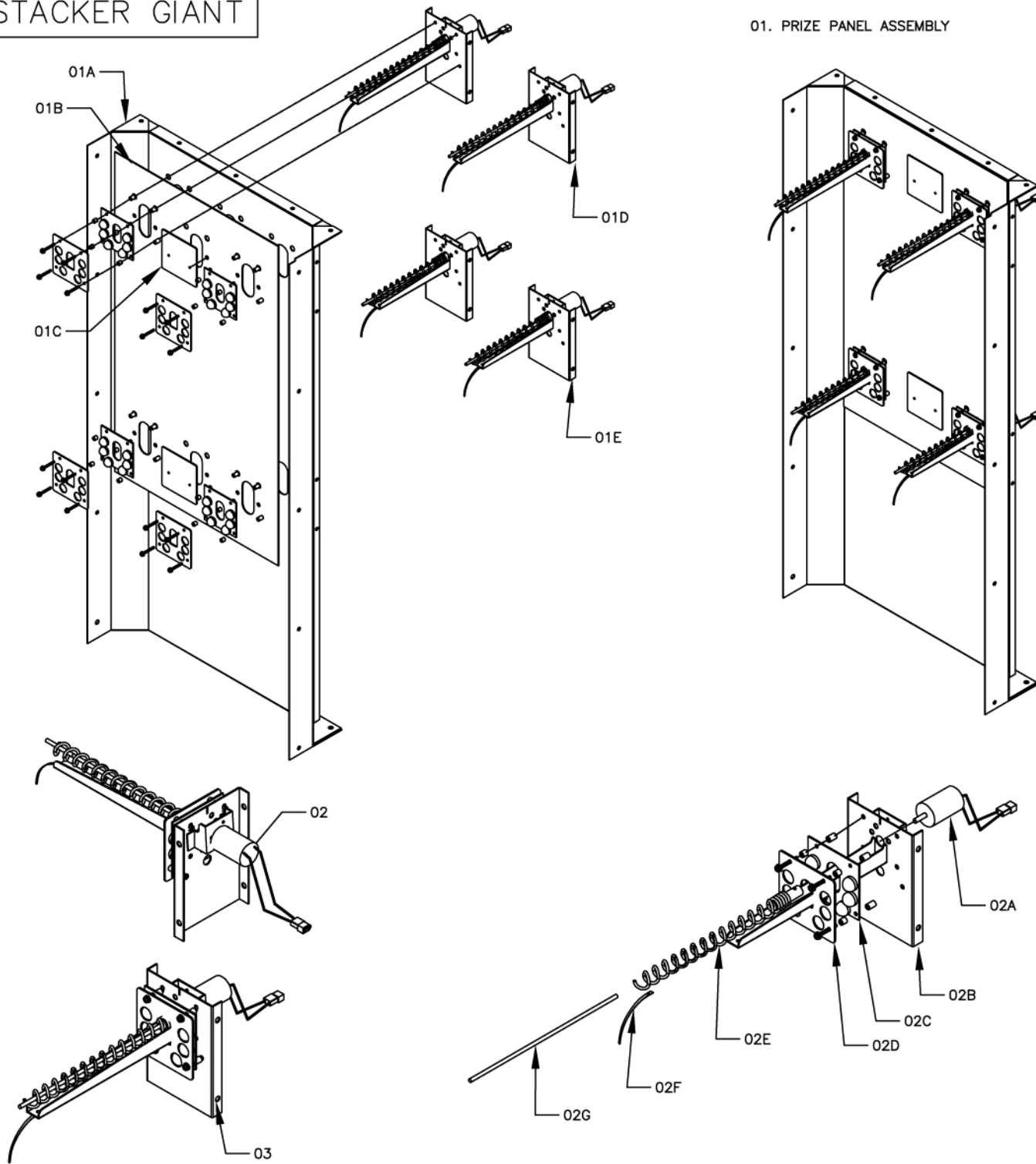
STACKER GIANT



NO	PART NO	DESCRIPTION	QTY	
01	STG A004	HEADER ASSEMBLY	1	
02	STG-SA-59-R0	HEADER SIDE ASSEMBLY	1R,1L	
03	STG-SA-58-R0	L BRACKET SLIDE	2	
04	STG-FW-12-R0	TOP PANEL	1	
05	STG E004	DISPLAY PANEL ASSEMBLY	1	
06	STG A006	PRIZE PANEL ASSEMBLY	1R,1L	
07	STG-SA-09-R0	FRONT DOOR FRAME ASSEMBLY WITH GLASS	1R,1L	
	- STG-FG-02-R0	SIDE GLASS	2	
08	STG-FM-68-R0	TOP FRONT BALL CONTAINER	1R,1L	
09	STG-FM-66-R0	OUTSIDE PRIZE CHUTE	1R,1L	
10	STG A010	COVER SIDE ASSEMBLY	1R,1L	
	- STG-SA-07-R0	COVER SIDE METAL ONLY	1R,1L	
	- AT3314	STICKER FRONT R/L CABINET	1	
11	STG-FM-69-R0	BALL CONTAINER TOP	1	
12	STG A009	SIDE PANEL ASSEMBLY	1R,1L	
	- STG-FW-04-R0	SIDE PANEL WOOD ONLY	1R,1L	
	- AT3311	STICKER SIDE R/L	1	
13	STG-FM-63-R0	INSIDE PRIZE CHUTE	1R,1L	
14	HM0016	CASTOR 2" DOUBLE SWIVEL	6	
15	HM0002	RUBBER MOUNTING	4	
16	STG A004	ROLLING DOOR ASSEMBLY	1R,1L	
17	STG E007	MAIN POWER ASSEMBLY	1	
18	STG-SA-67-R0	CAPSUL CHUTE ASSEMBLY	1	
19	STG A003	CAPSUL DISPENSER 3" ASSEMBLY	1	
20	STG E009	PANEL PCB ASSEMBLY	1	
	20A	STG-FW-05-R0	PCB BASE WOOD	1
	20B	BAFB95	PCB FB95 PRIZE BOX CONTROLL. BOARD	1
	20C	BA0005	PCB TICKET INTERFACE WITH METER DRIVE	1
	20D	BAFB66A	PCB FB66A MPU CONTROLLER BBB LH	1
	20E	BA0029	PCB FB29 STEREO AUDIO AMPLIFIER	1
	20F	BAFB52C	PCB FB52C 16Mhz Z80 SOUND BOARD	1
21	STG A005	CONTROL PANEL ASSEMBLY	1	
22	STG E009	DB BOX ASSEMBLY	1	
	- STG E009a	DB BOX METAL ONLY	1	
	- EA1356	BINDING POST	1	
	- EA1358	SPLIT CORE EMIFILTER FOR CE MACHINE	1	
	- EA0649	IEC TYPE NOISE EMI FILTER	1	
	- STG H007	DB BOX HARNESS	1	
	- EA0635	POWER LEAD MOLDED IEC TO 3 PIN USA	1	
	- EA0636	POWER LEAD MOLDED IEC TO 2 PIN INDO	1	
	- EA0637	POWER LEAD MOLDED IEC TO 3 PIN AU	1	
	- EA0639	POWER LEAD MOLDED IEC TO 3 PIN UK	1	

STACKER GIANT

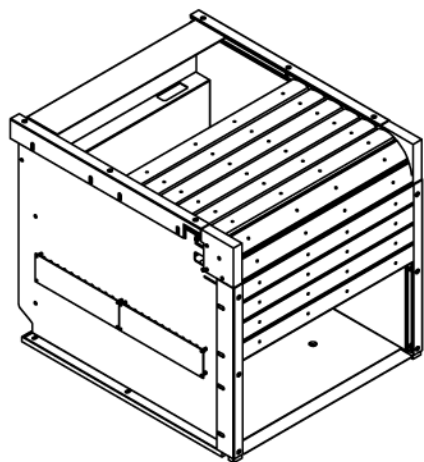
01. PRIZE PANEL ASSEMBLY



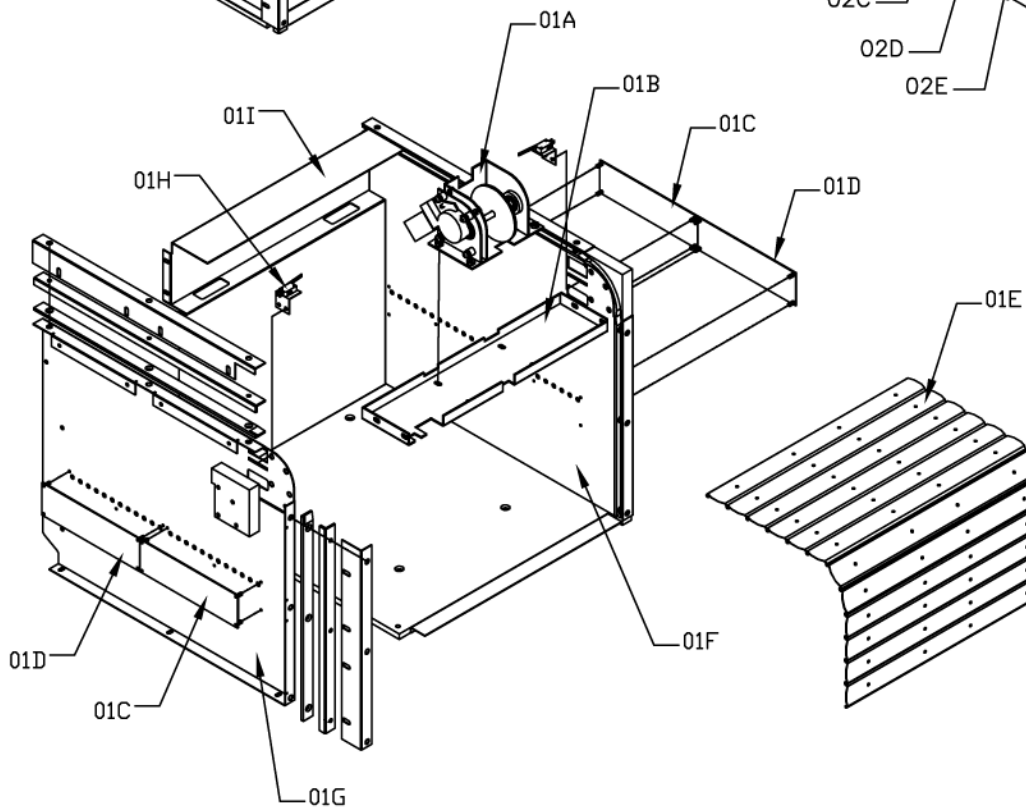
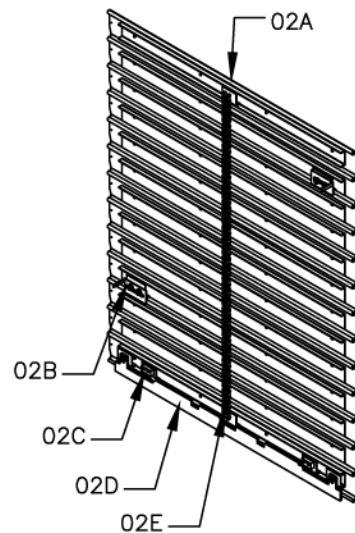
NO	PART NO	DESCRIPTION	QTY	
01	STG A006	PRIZE PANEL ASSEMBLY	1	
PART ITEM	01A	STG-SA-24-RO	PRIZE PANEL METAL ONLY	1
	01B	STG-FP-15-RO	PRIZE PANEL MIRROR	1
	01C	STG-FP-14-RO	MIDDLE LED MIRROR	2
	01D	STG E002	PRIZE ARM UPPER ASSEMBLY	2
	01E	STG E003	PRIZE ARM LOWER ASSEMBLY	2
-	AT3316	STICKER PRIZE PANEL LOWER	2	
02	STG E002	PRIZE ARM UPPER ASSEMBLY	1	
PART ITEM	01A	EA1155C	12VDC MOTOR JM 300-3259	1
	01B	STG-SA-25-RO	PRIZE ARM UPPER METAL ONLY	1
	01C	BAFB77B	PCBFB77B WITH 6 LED INTO ONE PCB	1
	01D	STG-FP-03-RO	MIRROR LED PANEL	1
	01E	EA1155F	PRIZE DISP ARM SPIRAL, 16.5 +/-1.5 ROT	1
	01F	EA1155E	PRIZE DISP ARM TONGUE SLIDE	1
	01G	EA1155D	PRIZE DISP ARM LOCKING PIN LENGHT,28 CM	1
	-	AT3318	STICKER MAJOR PRIZE	1
02	STG E003	PRIZE ARM LOWER ASSEMBLY	1	
PART ITEM	01A	EA1155C	12VDC MOTOR JM 300-3259	1
	01B	STG-SA-26-RO	PRIZE ARM LOWER METAL ONLY	1
	01C	BAFB77B	PCBFB77B WITH 6 LED INTO ONE PCB	1
	01D	STG-FP-03-RO	MIRROR LED PANEL	1
	01E	EA1174F	PRIZE DISP ARM SPIRAL MEDIUM, 21 ROT	1
	01F	EA1155E	PRIZE DISP ARM TONGUE SLIDE	1
	01G	EA1155I	PRIZE DISP ARM LOCKING PIN SMALL,22.5 CM	1
	-	AT3318	STICKER MAJOR PRIZE	1
-	EE2415	ROUND LED RED (Spart Part)		

STACKER GIANT

01. ROLLING DOOR ASSEMBLY



02. ROLLING DOOR ALMUNIUUM



NO	PART NO	DESCRIPTION	QTY	
01	STG A004	ROLLING DOOR ASSEMBLY	1	
PART ITEM	01A	STG A002	DRIVEN MECHANISM ASSEMBLY	1
	01B	STG-FM-30-R1	DRIVER MECHANISM BASE	1
	01C	BAFB89a	PCB FB89a SENSOR MASTER	2
	-	EE2417	LED SENSOR MASTER BM13E4G (Spart Part)	-
	01D	BAFB89b	PCB FB89b SENSOR SLAVE	2
	-	EE2416	LED SENSOR SLAVE BP1934 (Spart Part)	-
	01E	STG A001	ROLLING DOOR ALUMINIUM	1
	01F	STG-SA-27-RO	SIDE PRIZE BOX RIGHT WITHOUT PCB	1
	01G	STG-SA-27-RO	SIDE PRIZE BOX LEFT WITHOUT PCB	1
	01H	EA0406	MICROSWITCH LEVER 51mm WITH BRACKET	2
	01I	STG-FM-28-RO	BACK SECTION	1
-	STG H003	ROLLING DOOR HARNESS	1	
-	AT3319	STICKER PRIZE DOOR	2	
02	STG A001	ROLLING DOOR ALMUNIUUM	1	
PART ITEM	02A	-	ALMUNIUUM STRIP	1
	02B	STG-FM-46-R2	SWITCH KNOCKER ARM	1R,1L
	02C	EA0410	MICROSWITCH LEVER SMALL	2
	02D	STG-FM-36-RO	SLIDING PLATE	1
	02E	HM2958	ROLL DOOR CHAIN	1
03	STG A002	DRIVEN MECHANISM ASSEMBLY	1	
PART ITEM	03A	STG-SA-37-RO	DRIVEN MECHANISM BRACKET	1
	03B	HM2863	BEARING 6200ZZ	2
	03C	-	DRIVER SPROCKET	1
	03D	-	MOTOR BRACKET SPACER	4
	03E	-	GEAR ASSEMBLY	1
	03F	-	MOTOR BRACKET	1
	03G	EA1173	POWER WINDOW MOTOR 74R	1

03. DRIVEN MECHANISM ASSEMBLY

