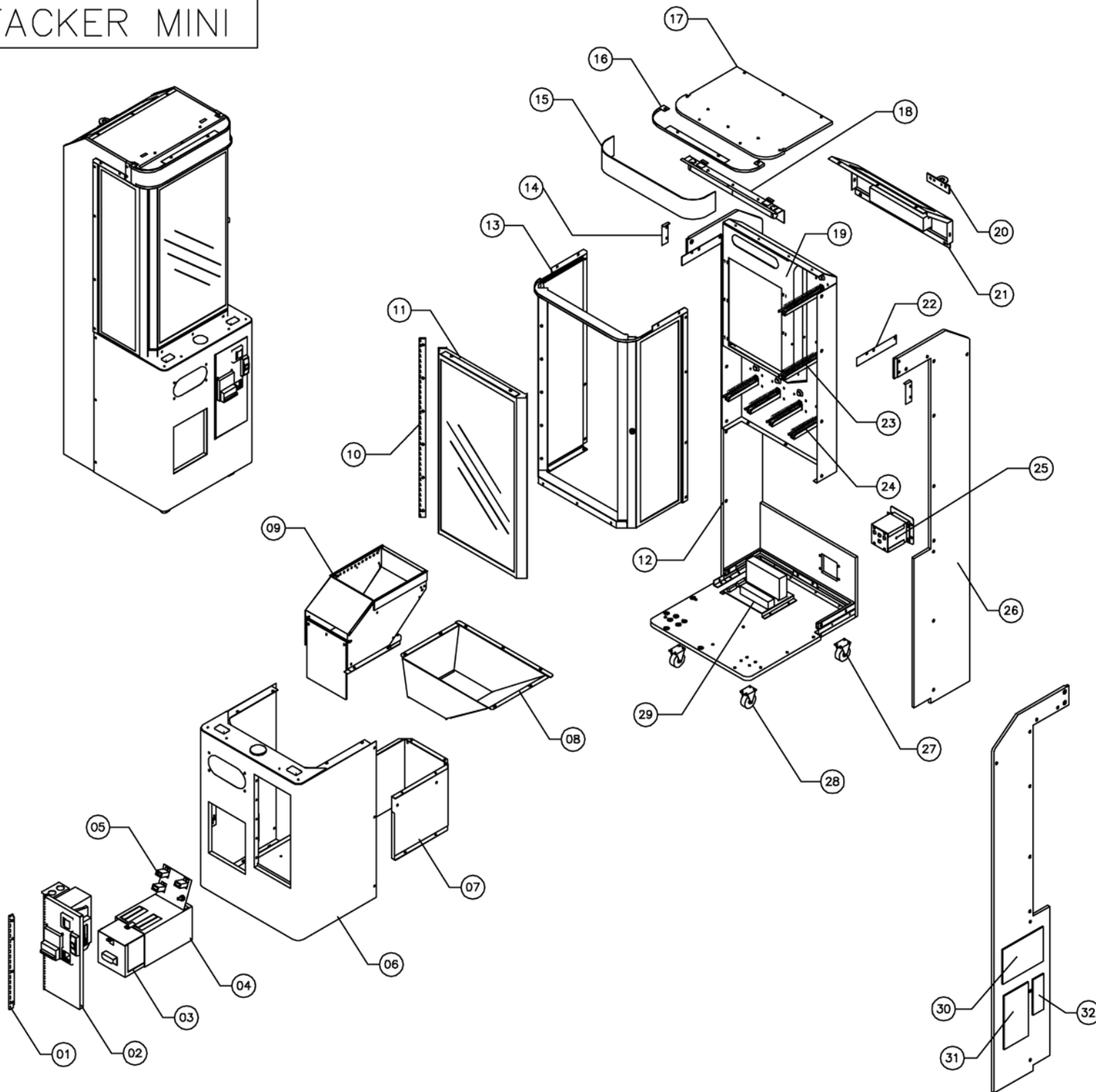
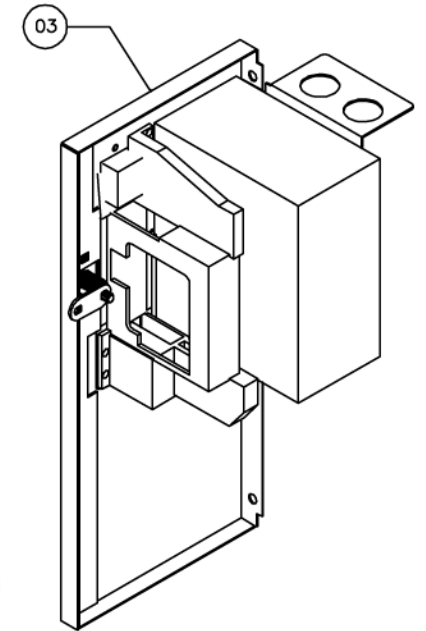
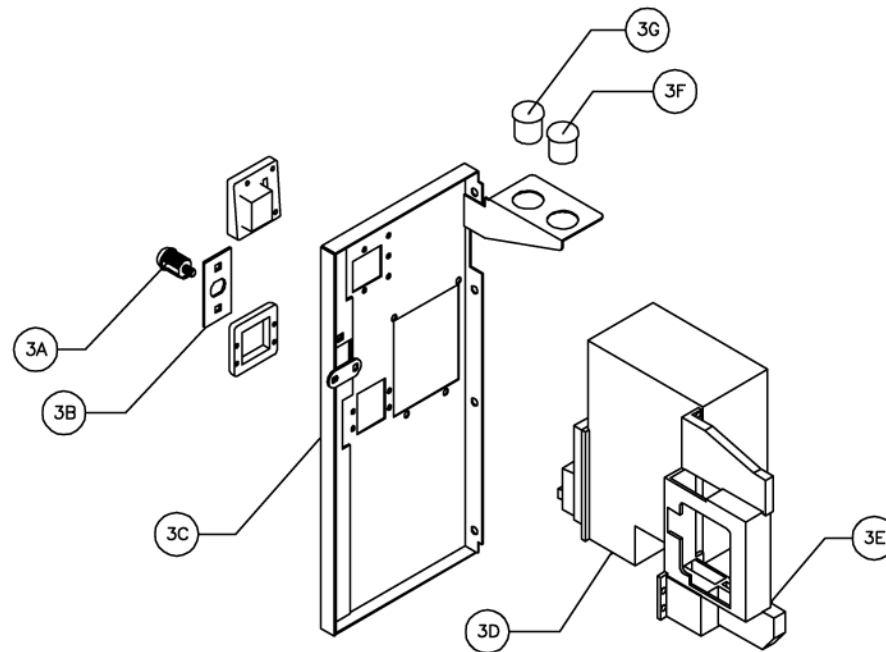
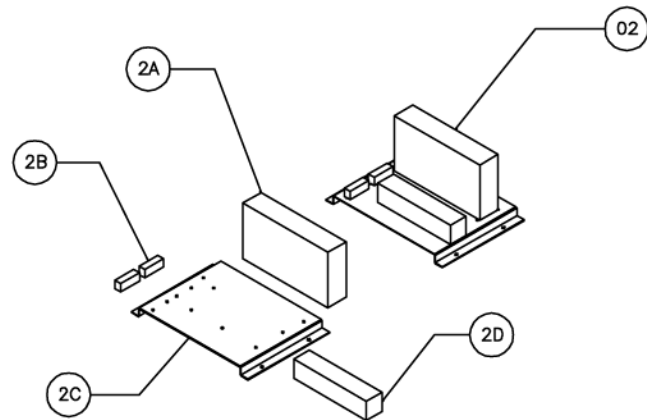
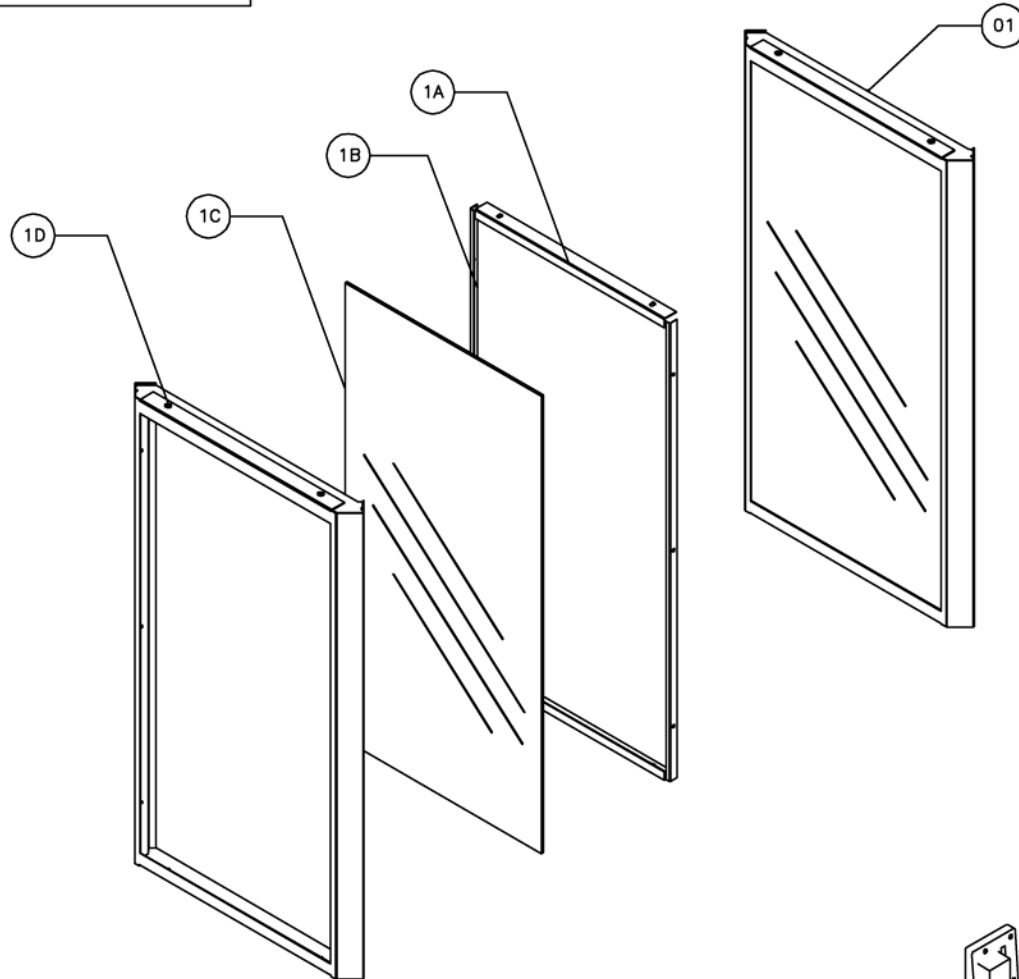


STACKER MINI



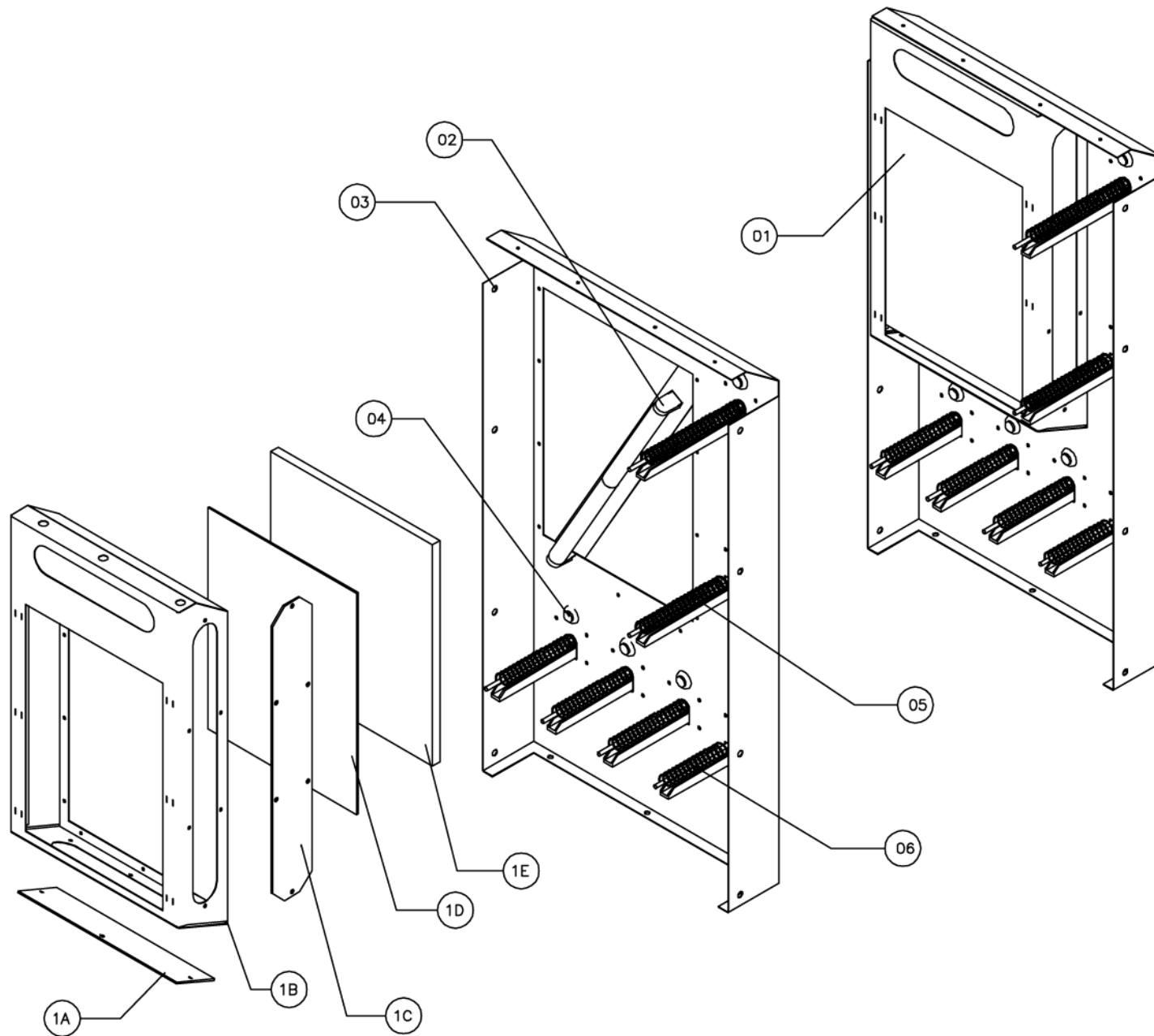
| NO | PART NO | DESCRIPTION | QTY |
|----|-------------|--------------------------------------|-------|
| 01 | SM-FM-29-R1 | COIN DOOR HINGE | 1 |
| 02 | SM A008 | COIN DOOR ASSY | 1 |
| 03 | SM-SA-40-RO | CASH BOX | 1 |
| 04 | SM-SA-39-RO | HOUSING CASHBOX | 1 |
| 05 | SM E001 | SERVICE PANEL ASSEMBLY | 1 |
| | PART ITEM | | |
| | SM-FM-07-RO | COIN COUNTER BRACKET | 1 |
| | EA1252 | COIN COUNTER 12V REAR MOUNTING | 3 |
| | EED689 | POTENSIO CARBON WITH KNOB | 1 |
| | EP0602 | KNOB VOLUME | 1 |
| | SM H001 | HARNES SERVICE PANEL | 1 |
| 06 | SM A001 | FRONT PANEL ASSEMBLY | 1 |
| | PART ITEM | | |
| | SM-SA-31-RO | FRONT PANEL METAL ONLY | 1 |
| | SM-FP-01-RO | ACRILIC CONTROL PANEL | 1 |
| | SM-FM-27-RO | SPEAKER GRILL | 1 |
| | EA0563 | PUSH BUTTON RED | 1 |
| | EA0507 | SWITCH RECT GREEN BUTTON WITH LAMP | 1 |
| | EA0545 | SWITCH RECT BLUE BUTTON WITH LAMP | 1 |
| | BA2601 | PCB51 2cm 4 DIGIT DISPLAY | 1 |
| | AT3704 | STICKER SM FRONT LOWER CABINET | 1 |
| | EA1201 | SPEAKER 4" B OHM 40 W | 2 |
| 07 | SM-FM-01-RO | PRIZE RECEIVEL BOX | 1 |
| 08 | SM-SA-34-RO | PRIZE CHUTE ASSEMBLY | 1 |
| 09 | SM A002 | PRIZE BOX ASSEMBLY | 1 |
| | PART ITEM | | |
| | SM A004A | PRIZE BOX METAL ONLY | 1 |
| | BA2602 | PCB59a SB PRIZE SENSOR MASTER | 1 |
| | BA2603 | PCB59b SB PRIZE SENSOR SLAVE | 1 |
| | SM A004B | PRIZE DOOR WITH STICKER | 1 |
| 10 | SM-FM-28-RO | FRONT DOOR HINGE | 1 |
| 11 | SM A003 | FRONT DOOR ASSEMBLY | 1 |
| 12 | SM A004 | SIDE PANEL ASSY | 1R |
| | ITEM | | |
| | SM-FW-04-RO | SIDE PANEL RIGHT | 1 |
| | AT3211 | STICKER STACKER MINI SIDE RIGHT | 1 |
| 13 | SM A005 | SIDE SKIN ASSEMBLY | 1 |
| 14 | SM-FM-22-RO | MYLAR SIDE RETAINER | 1R,1L |
| 15 | SM-FP-04-RO | ACRYLIC MYLAR FRONT PANEL | 1 |
| 16 | SM-FM-21-RO | MYLAR TOP RETAINER | 1 |
| 17 | SM-FW-06-RO | MYLAR TOP PANEL | 1 |
| 18 | SM E002 | TOP LIGHT STACKER MINI ASSY | 1 |
| | ITEM | | |
| | EA0206 | FLUORESCENT 18W COOL WHITE | 1 |
| | EP0434 | END CAP HOLDER MODEL 713 HS | 2 |
| | SM-FM-20-RO | BRACKET FLUORESCENT | 1 |
| 19 | SM E003 | DISPLAY PANEL ASSEMBLY | 1 |
| 20 | SM-SA-35-RO | REAR LOCKING BRACKET | 2 |
| 21 | SM-SA-30-RO | MYLAR BACK COVER ASSY | 1 |
| 22 | SM-FM-12-RO | SIDE GLASS UPPER CLAMP | 2 |
| 23 | EA1155H | PRIZE ARM MAJOR | 2 |
| 24 | EA1155K | PRIZE ARM MINOR | 4 |
| 25 | SM E004 | DB BOX ASSEMBLY | 1 |
| | PART ITEM | | |
| | SM E005A | DB BOX METAL ONLY | 1 |
| | EA1356 | BINDING POST | 1 |
| | EA1358 | SPLIT CORE EMI FILTER FOR CE MACHINE | 1 |
| | EA0649 | IEC TYPE NOISE EMI FILTER | 1 |
| | SM H001 | DB BOX HARNES | 1 |
| | EA0635 | POWER LEAD MOLDED IEC TO 3 PIN USA | 1 |
| | EA0636 | POWER LEAD MOLDED IEC TO 2 PIN INDO | 1 |
| | EA0637 | POWER LEAD MOLDED IEC TO 3 PIN AU | 1 |
| | EA0639 | POWER LEAD MOLDED IEC TO 3 PIN UK | 1 |
| 26 | SM A006 | SIDE PANEL ASSY | 1L |
| | ITEM | | |
| | SM-FW-05-RO | SIDE PANEL LEFT | 1 |
| | AT3211 | STICKER STACKER MINI SIDE LEFT | 1 |
| 27 | HMO065 | CASTOR 2" FIX | 2 |
| 28 | HMO078 | CASTOR 2" SWIVEL BRAKE | 2 |
| 29 | SM E005 | POWER ASSEMBLY | 1 |
| 30 | BAFB66A | PCB FB66A MPU CONTROLER | 1 |
| 31 | BAFB52C | PCB FB52C 16 MHz Z80 | 1 |
| 32 | BA0029 | PCBFB29 STEREO AUDIOAMPLIFIER | 1 |

STACKER MINI



| NO | PART NO | DESCRIPTION | QTY | |
|----------|---------|-----------------------------------|--|---|
| 01 | SM A003 | FRONT DOOR ASSEMBLY | 1 | |
| SUB ASSY | 01A | SM-FM-16-R0 | FRONT GLASS LOWER&UPPER CLAMP | 2 |
| | 01B | SM-FM-19-R0 | FRONT GLASS RIGHT&LEFT CLAMP | 2 |
| | 01C | SM-FG-01-R0 | FRONT GLASS DOOR | 1 |
| | 01D | SM-SA-36-R0 | FRONT DOOR ASSY METAL ONLY | 1 |
| | - | AT3702 | STICKER PLAY INSTRUCTION | 1 |
| 02 | SM E005 | POWER ASSEMBLY | 1 SET | |
| SUB ASSY | 02A | EA1003 | POWER SUPPLY +5V 15A +12V 4A -5V 1A | 1 |
| | 02B | EA0311 | STARTER BASE UL | 2 |
| | 02C | SA-FM-06-R0 | BRACKET BALLAST | 1 |
| | 02D | EA0325 | BALLAST 240V, 15W | 1 |
| | | EA1359 | BALLAST 110V, 15W | 1 |
| | - | SM E006 | POWER HARNESS | 1 |
| 03 | SM A008 | COINDOOR ASSY | 1 | |
| SUB ASSY | 03A | HM0004 | EAGLE LOCK | 1 |
| | 03B | SM-FM-41-R0 | T HANDLE COVER | 1 |
| | 03C | SM-SA-33-R0 | COIN DOOR 1 DBA 1 COIN MECHANIC METAL ONLY | 1 |
| | | SM-SA-41-R0 | COIN DOOR 2 COIN MECHANIC METAL ONLY | 1 |
| | 03D | - | DOLLAR BILL ACCEPTOR | 1 |
| | 03E | HM0014 | COIN MECHANISM | 1 |
| | 03F | EA0520 | SWITCH SMALL ROUND GREEN BUTTON | 1 |
| | 03G | EA0519 | SWITCH SMALL ROUND RED BUTTON | 1 |
| | - | - | HARNESS COIN DOOR 1 DBA 1 COIN MECHANIC | 1 |
| - | SM H002 | HARNESS COIN DOOR 2 COIN MECHANIC | 1 | |

STACKER MINI



| NO | PART NO | DESCRIPTION | QTY | |
|----------|-------------|--------------------------------------|----------------------------------|----|
| 01 | SM E003 | DISPLAY LIGHTING ASSEMBLY | 1 | |
| SUB ASSY | 01A | SM-FP-06-R0 | ACRYLIC COVER BOTTOM DISPLAY | 1 |
| | 01B | SM-SA-32-R0 | DISPLAY PANEL METAL ONLY | 1 |
| | 01C | SM-FP-05-R0 | ACRILLIC COVER SIDE DISPLAY | 1 |
| | 01D | SM-FP-03-R0 | ACRYLIC DISPLAY RED | 1 |
| | 01E | BAFB82A | PCBF82A RSL RED LED DISPLAY | 2 |
| | - | EE2414 | CUBE LED RED COLOR | 40 |
| | - | AT3705 | STICKER STACKER MINI MAJOR PRIZE | 1 |
| - | AT3706 | STICKER STACKER MINI MINOR PRIZE | 1 | |
| 02 | SM E006 | NEON DISPLAY ASSEMBLY | 1 | |
| SUB ASSY | 02A | EA0206 | LAMPU NEON 18W COOL WHITE | 1 |
| | 02B | EP0434 | END CAP HOLDER MODEL 713-HS | 2 |
| | 02C | SM-FM-14-R0 | BRACKET NEON UL | 1 |
| 03 | SM A007 | MAIN PANEL ASSY | 1 | |
| ITEM | SM-FM-13-R0 | MAIN PANEL METAL ONLY | 1 | |
| | AT3707 | STICKER MAIN PANEL | 1 SET | |
| 04 | BAFB146 | PCB PRIZE LED INDICATOR STACKER MINI | 6 | |
| 05 | EA1155H | PRIZE ARM MAJOR | 2 | |
| 06 | EA1155K | PRIZE ARM MINOR | 4 | |

STACKER MINI

| NO | PART NO | DESCRIPTION | QTY | |
|----------|---------|----------------|------------------------------|-------|
| 01 | SM A005 | SIDE SKIN ASSY | 1 | |
| SUB ASSY | 01A | SM-FM-37-R0 | SIDE SKIN ASSY METAL ONLY | 1 |
| | 01B | SM-FM-17-R0 | CAM LOCK | 1 |
| | 01C | HM0004 | EAGLE LOCK | 1 |
| | 01D | SM-FM-18-R0 | SIDE GLASS RIGHT&LEFT CLAMP | 1R,1L |
| | 01E | SM-FM-15-R0 | SIDE GLASS LOWER&UPPER CLAMP | 1R,1L |
| | 01F | SM-FG-02-R0 | SIDE GLASS | 2 |

